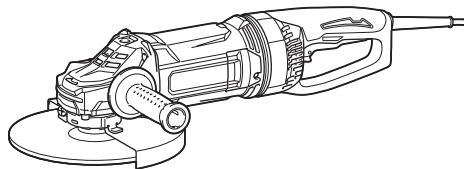
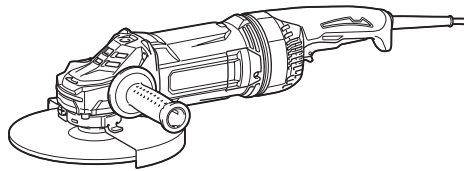
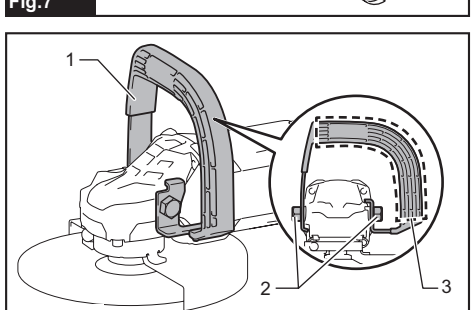
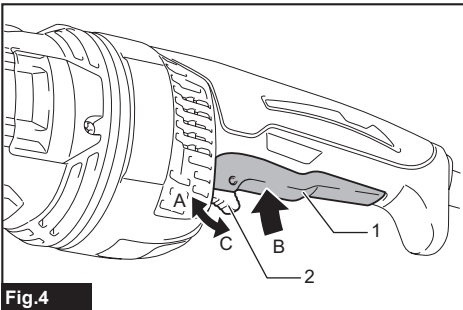
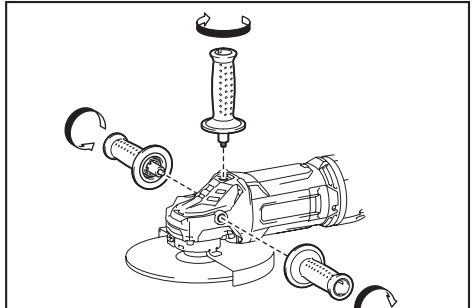
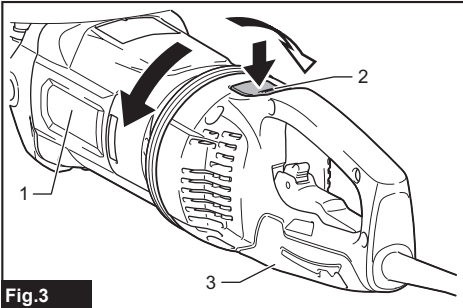
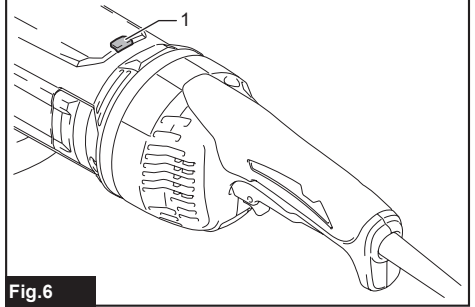
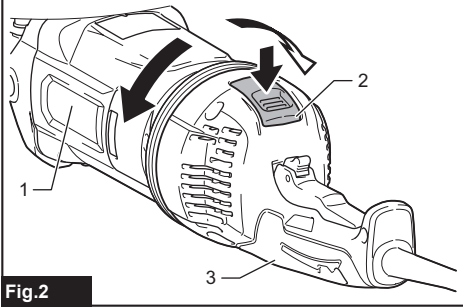
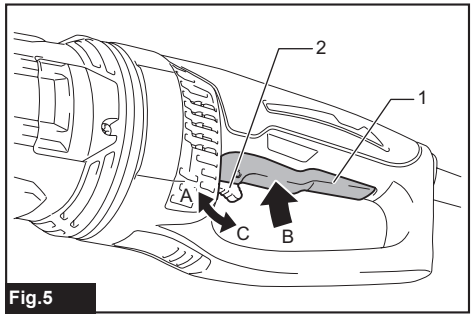
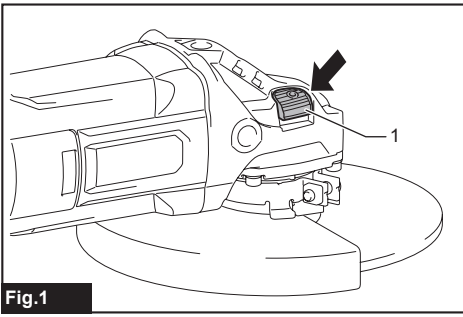




EN	Angle Grinder	INSTRUCTION MANUAL	8
ZHCN	角向磨光机	使用说明书	19
ID	Gerinda Sudut	PETUNJUK PENGGUNAAN	30
MS	Pengisar Sudut	MANUAL ARAHAN	42
VI	Máy Mài Góc Cầm Tay Hoạt Động Bằng Động Cơ Điện	TÀI LIỆU HƯỚNG DẪN	54
TH	เครื่องขัดมุม	คู่มือการใช้งาน	65

GA7070
GA7071
GA9070
GA9071





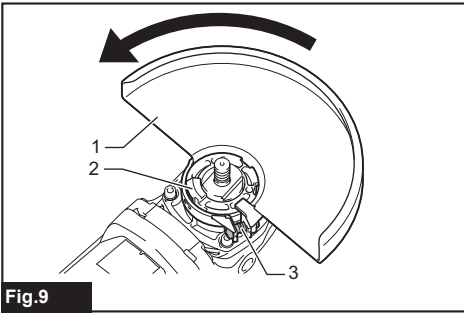


Fig.9

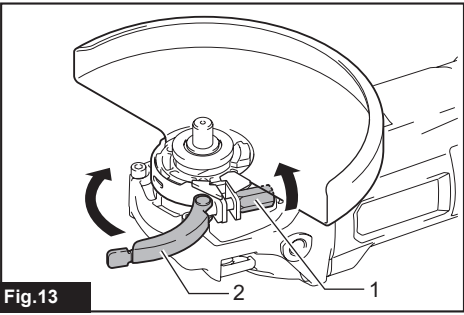


Fig.13

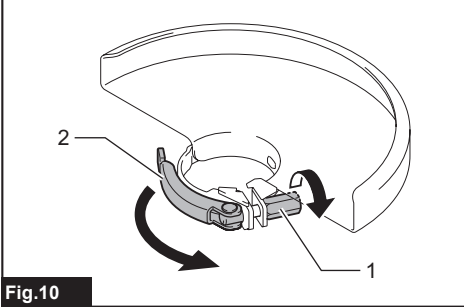


Fig.10

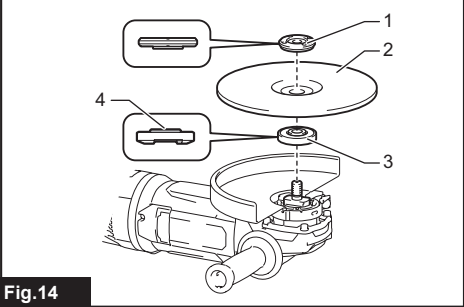


Fig.14

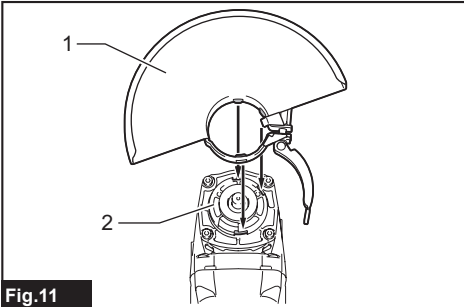


Fig.11

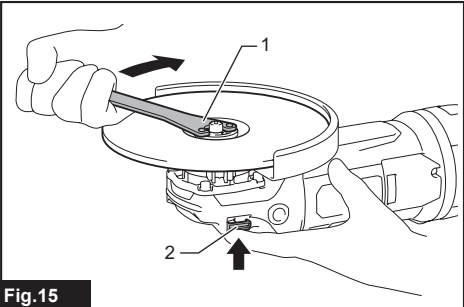


Fig.15

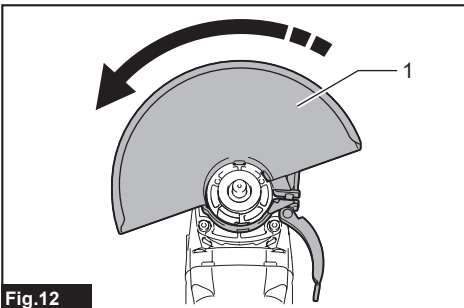


Fig.12

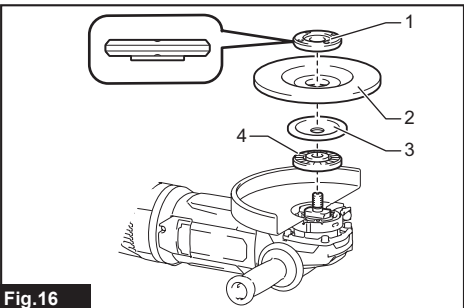
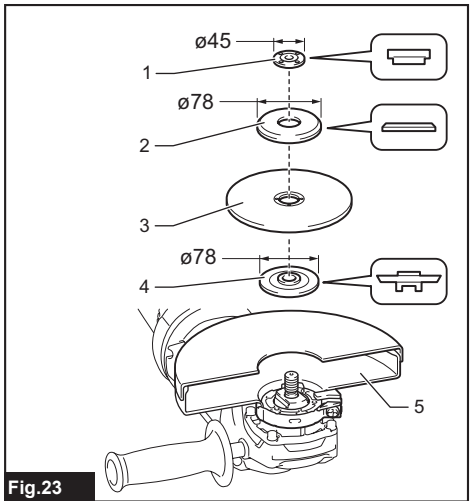
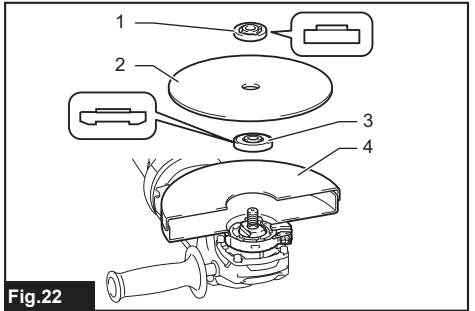
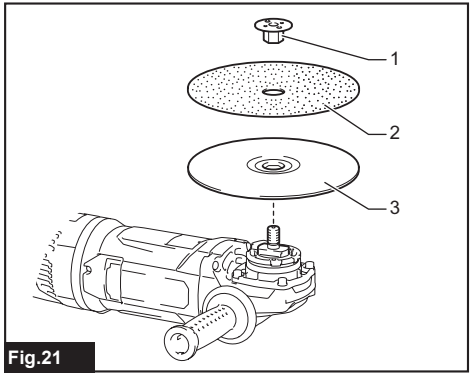
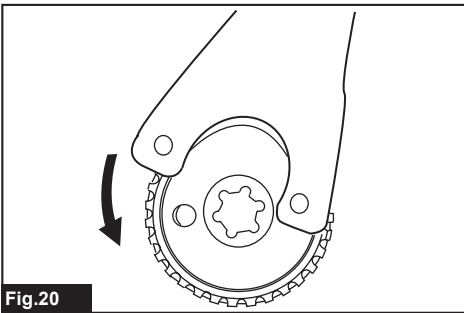
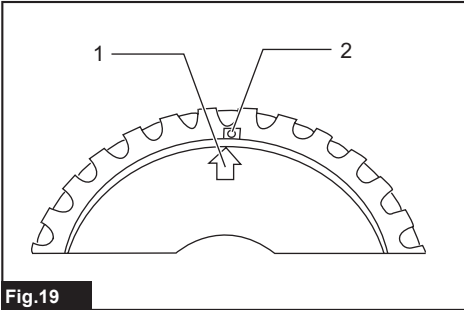
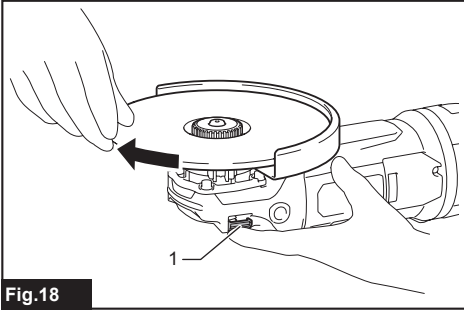
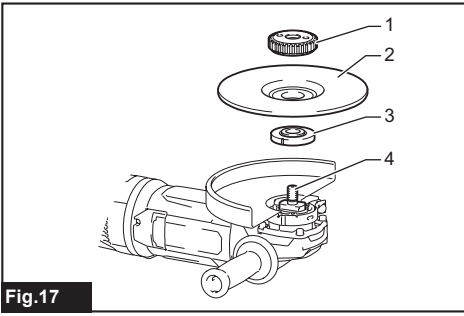


Fig.16



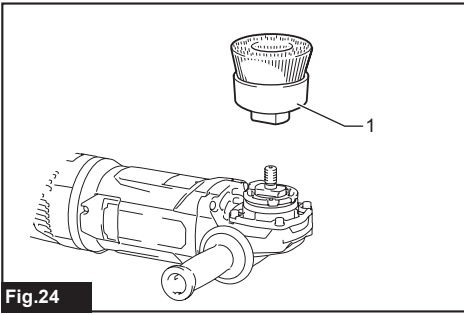


Fig.24

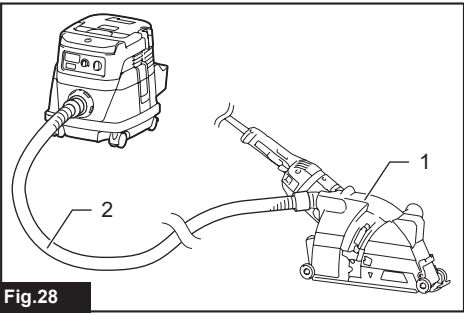


Fig.28

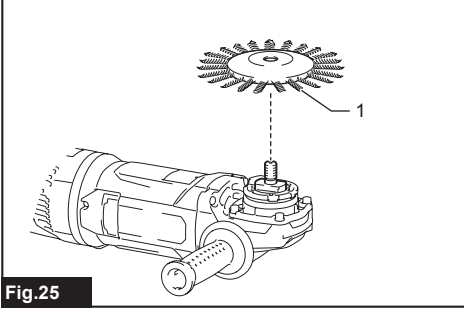


Fig.25

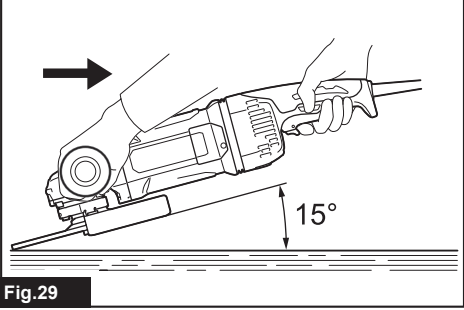


Fig.29

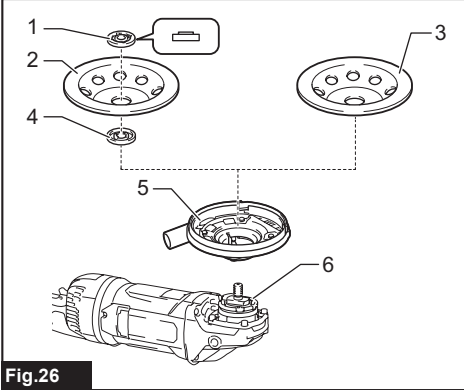


Fig.26

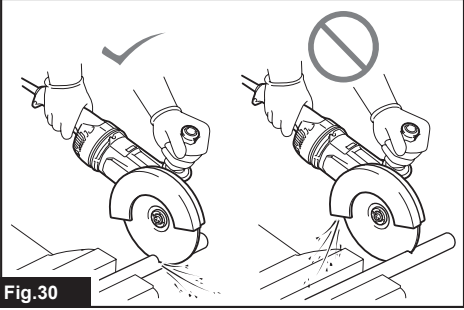


Fig.30

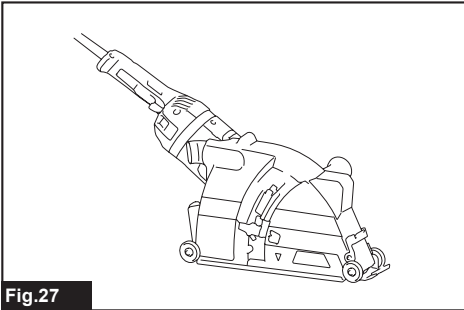


Fig.27

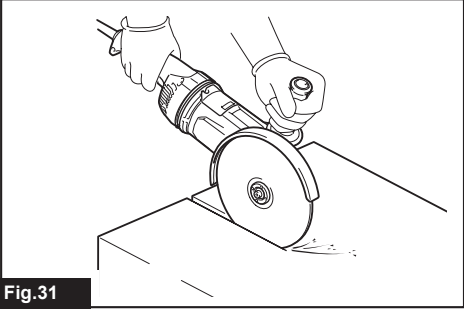
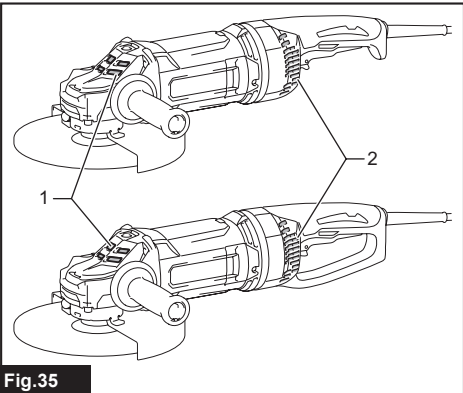
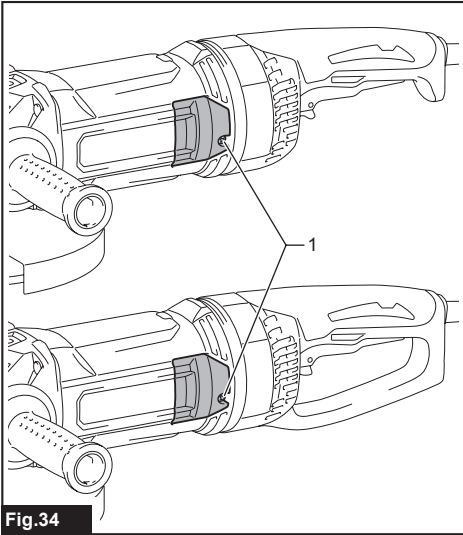
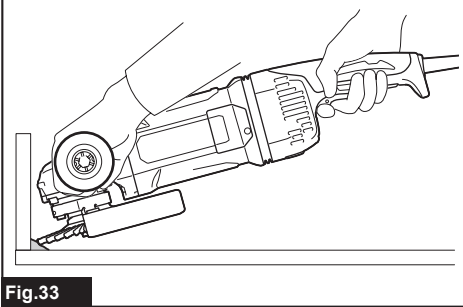
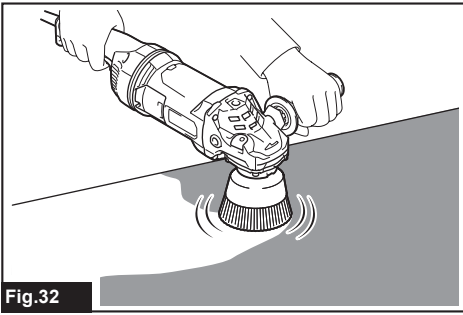


Fig.31



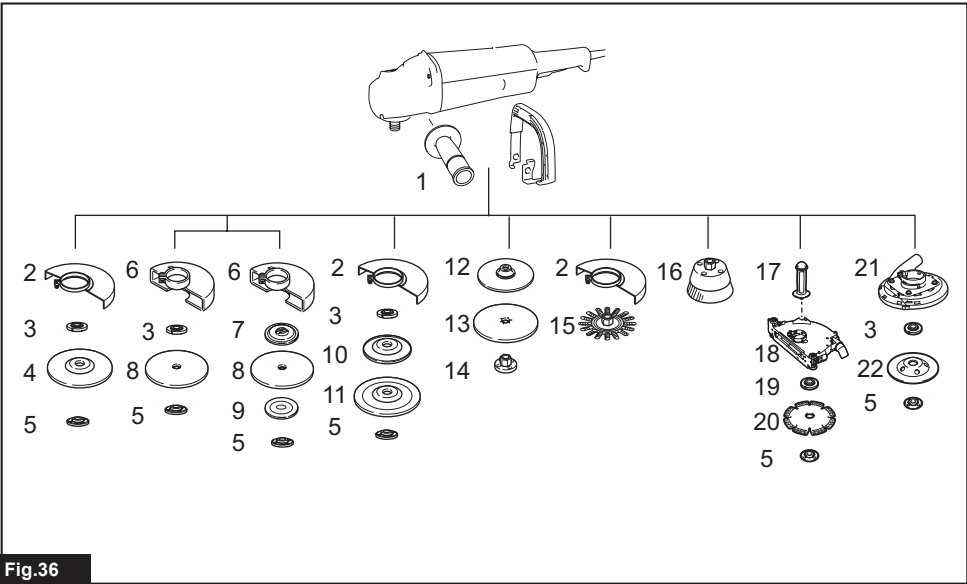


Fig.36

SPECIFICATIONS

Model:	GA7070	GA7071	GA9070	GA9071
Wheel diameter	180mm		230mm	
Max. wheel thickness	7.2mm		6.5mm	
Spindle thread	M14 or 5/8" (country specific)			
Rated speed (n)	8,500min ⁻¹		6,600min ⁻¹	
Overall length	506mm			
Switch handle	Bar type	D type	Bar type	D type
Net weight	6.1 - 6.6 kg	6.2 - 6.7 kg	6.3 - 8.5 kg	6.4 - 8.5 kg
Safety class	□/II			

- Due to our continuing program of research and development, the specifications herein are subject to change without notice.
- Specifications may differ from country to country.
- The weight may differ depending on the attachment(s). The lightest and heaviest combination, according to EPTA-Procedure 01/2014, are shown in the table.

Symbols

The followings show the symbols which may be used for the equipment. Be sure that you understand their meaning before use.



Read instruction manual.



Wear safety glasses.



DOUBLE INSULATION



Only for EU countries
 Due to the presence of hazardous components in the equipment, used electrical and electronic equipment may have a negative impact on the environment and human health.
 Do not dispose of electrical and electronic appliances with household waste!
 In accordance with the European Directive on waste electrical and electronic equipment and its adaptation to national law, used electrical and electronic equipment should be collected separately and delivered to a separate collection point for municipal waste, operating in accordance with the environmental protection regulations.
 This is indicated by the symbol of the crossed-out wheeled bin placed on the equipment.

Intended use

The tool is intended for grinding, sanding and cutting of metal and stone materials without the use of water.

Power supply

The tool should be connected only to a power supply of the same voltage as indicated on the nameplate, and can only be operated on single-phase AC supply. They are double-insulated and can, therefore, also be used from sockets without earth wire.

SAFETY WARNINGS

General power tool safety warnings

⚠WARNING: Read all safety warnings, instructions, illustrations and specifications provided with this power tool. Failure to follow all instructions listed below may result in electric shock, fire and/or serious injury.

Save all warnings and instructions for future reference.

The term "power tool" in the warnings refers to your mains-operated (corded) power tool or battery-operated (cordless) power tool.

Work area safety

1. **Keep work area clean and well lit.** Cluttered or dark areas invite accidents.
2. **Do not operate power tools in explosive atmospheres, such as in the presence of flammable liquids, gases or dust.** Power tools create sparks which may ignite the dust or fumes.
3. **Keep children and bystanders away while operating a power tool.** Distractions can cause you to lose control.

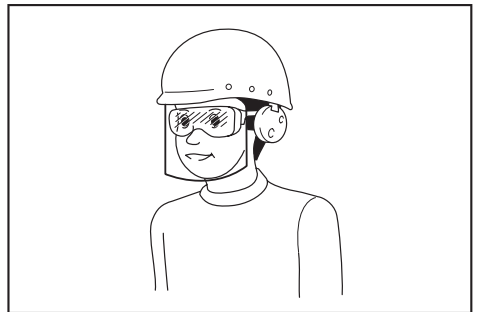
Electrical safety

1. **Power tool plugs must match the outlet. Never modify the plug in any way. Do not use any adapter plugs with earthed (grounded) power tools.** Unmodified plugs and matching outlets will reduce risk of electric shock.
2. **Avoid body contact with earthed or grounded surfaces, such as pipes, radiators, ranges and refrigerators.** There is an increased risk of electric shock if your body is earthed or grounded.
3. **Do not expose power tools to rain or wet conditions.** Water entering a power tool will increase the risk of electric shock.
4. **Do not abuse the cord. Never use the cord for carrying, pulling or unplugging the power tool. Keep cord away from heat, oil, sharp edges or moving parts.** Damaged or entangled cords increase the risk of electric shock.
5. **When operating a power tool outdoors, use an extension cord suitable for outdoor use.** Use of a cord suitable for outdoor use reduces the risk of electric shock.
6. **If operating a power tool in a damp location is unavoidable, use a residual current device (RCD) protected supply.** Use of an RCD reduces the risk of electric shock.
7. **Use of power supply via an RCD with a rated residual current of 30 mA or less is always recommended.**
8. **Power tools can produce electromagnetic fields (EMF) that are not harmful to the user.** However, users of pacemakers and other similar medical devices should contact the maker of their device and/or doctor for advice before operating this power tool.
9. **Do not touch the power plug with wet hands.**
10. **If the cord is damaged, have it replaced by the manufacturer or his agent in order to avoid a safety hazard.**

Personal safety

1. **Stay alert, watch what you are doing and use common sense when operating a power tool. Do not use a power tool while you are tired or under the influence of drugs, alcohol or medication.** A moment of inattention while operating power tools may result in serious personal injury.
2. **Use personal protective equipment. Always wear eye protection.** Protective equipment such as a dust mask, non-skid safety shoes, hard hat or hearing protection used for appropriate conditions will reduce personal injuries.
3. **Prevent unintentional starting. Ensure the switch is in the off-position before connecting to power source and/or battery pack, picking up or carrying the tool.** Carrying power tools with your finger on the switch or energising power tools that have the switch on invites accidents.
4. **Remove any adjusting key or wrench before turning the power tool on.** A wrench or a key left attached to a rotating part of the power tool may result in personal injury.
5. **Do not overreach. Keep proper footing and balance at all times.** This enables better control of the power tool in unexpected situations.

6. **Dress properly. Do not wear loose clothing or jewellery. Keep your hair and clothing away from moving parts.** Loose clothes, jewellery or long hair can be caught in moving parts.
7. **If devices are provided for the connection of dust extraction and collection facilities, ensure these are connected and properly used.** Use of dust collection can reduce dust-related hazards.
8. **Do not let familiarity gained from frequent use of tools allow you to become complacent and ignore tool safety principles.** A careless action can cause severe injury within a fraction of a second.
9. **Always wear protective goggles to protect your eyes from injury when using power tools. The goggles must comply with ANSI Z87.1 in the USA, EN 166 in Europe, or AS/NZS 1336 in Australia/New Zealand. In Australia/New Zealand, it is legally required to wear a face shield to protect your face, too.**



It is an employer's responsibility to enforce the use of appropriate safety protective equipments by the tool operators and by other persons in the immediate working area.

Power tool use and care

1. **Do not force the power tool. Use the correct power tool for your application.** The correct power tool will do the job better and safer at the rate for which it was designed.
2. **Do not use the power tool if the switch does not turn it on and off.** Any power tool that cannot be controlled with the switch is dangerous and must be repaired.
3. **Disconnect the plug from the power source and/or remove the battery pack, if detachable, from the power tool before making any adjustments, changing accessories, or storing power tools.** Such preventive safety measures reduce the risk of starting the power tool accidentally.
4. **Store idle power tools out of the reach of children and do not allow persons unfamiliar with the power tool or these instructions to operate the power tool.** Power tools are dangerous in the hands of untrained users.
5. **Maintain power tools and accessories. Check for misalignment or binding of moving parts, breakage of parts and any other condition that may affect the power tool's operation. If damaged, have the power tool repaired before use.** Many accidents are caused by poorly maintained power tools.

6. **Keep cutting tools sharp and clean.** Properly maintained cutting tools with sharp cutting edges are less likely to bind and are easier to control.
7. **Use the power tool, accessories and tool bits etc. in accordance with these instructions, taking into account the working conditions and the work to be performed.** Use of the power tool for operations different from those intended could result in a hazardous situation.
8. **Keep handles and grasping surfaces dry, clean and free from oil and grease.** Slippery handles and grasping surfaces do not allow for safe handling and control of the tool in unexpected situations.
9. **When using the tool, do not wear cloth work gloves which may be entangled.** The entanglement of cloth work gloves in the moving parts may result in personal injury.

Service

1. **Have your power tool serviced by a qualified repair person using only identical replacement parts.** This will ensure that the safety of the power tool is maintained.
2. **Follow instruction for lubricating and changing accessories.**

Grinder safety warnings

Safety Warnings Common for Grinding, Sanding, Wire Brushing, or Abrasive Cutting-Off Operations:

1. **This power tool is intended to function as a grinder, sander, wire brush or cut-off tool. Read all safety warnings, instructions, illustrations and specifications provided with this power tool.** Failure to follow all instructions listed below may result in electric shock, fire and/or serious injury.
2. **Operations such as polishing are not recommended to be performed with this power tool.** Operations for which the power tool was not designed may create a hazard and cause personal injury.
3. **Do not use accessories which are not specifically designed and recommended by the tool manufacturer.** Just because the accessory can be attached to your power tool, it does not assure safe operation.
4. **The rated speed of the accessory must be at least equal to the maximum speed marked on the power tool.** Accessories running faster than their rated speed can break and fly apart.
5. **The outside diameter and the thickness of your accessory must be within the capacity rating of your power tool.** Incorrectly sized accessories cannot be adequately guarded or controlled.
6. **Threaded mounting of accessories must match the grinder spindle thread. For accessories mounted by flanges, the arbour hole of the accessory must fit the locating diameter of the flange.** Accessories that do not match the mounting hardware of the power tool will run out of balance, vibrate excessively and may cause loss of control.
7. **Do not use a damaged accessory. Before each use inspect the accessory such as abrasive wheels for chips and cracks, backing pad for cracks, tear or excess wear, wire brush for loose or cracked wires. If power tool or accessory is dropped, inspect for damage or install an undamaged accessory. After inspecting and installing an accessory, position yourself and bystanders away from the plane of the rotating accessory and run the power tool at maximum no-load speed for one minute.** Damaged accessories will normally break apart during this test time.
8. **Wear personal protective equipment. Depending on application, use face shield, safety goggles or safety glasses. As appropriate, wear dust mask, hearing protectors, gloves and workshop apron capable of stopping small abrasive or workpiece fragments.** The eye protection must be capable of stopping flying debris generated by various operations. The dust mask or respirator must be capable of filtering particles generated by your operation. Prolonged exposure to high intensity noise may cause hearing loss.
9. **Keep bystanders a safe distance away from work area. Anyone entering the work area must wear personal protective equipment.** Fragments of workpiece or of a broken accessory may fly away and cause injury beyond immediate area of operation.
10. **Hold the power tool by insulated gripping surfaces only, when performing an operation where the cutting accessory may contact hidden wiring or its own cord.** Cutting accessory contacting a "live" wire may make exposed metal parts of the power tool "live" and could give the operator an electric shock.
11. **Position the cord clear of the spinning accessory.** If you lose control, the cord may be cut or snagged and your hand or arm may be pulled into the spinning accessory.
12. **Never lay the power tool down until the accessory has come to a complete stop.** The spinning accessory may grab the surface and pull the power tool out of your control.
13. **Do not run the power tool while carrying it at your side.** Accidental contact with the spinning accessory could snag your clothing, pulling the accessory into your body.
14. **Regularly clean the power tool's air vents.** The motor's fan will draw the dust inside the housing and excessive accumulation of powdered metal may cause electrical hazards.
15. **Do not operate the power tool near flammable materials.** Sparks could ignite these materials.
16. **Do not use accessories that require liquid coolants.** Using water or other liquid coolants may result in electrocution or shock.

Kickback and Related Warnings

Kickback is a sudden reaction to a pinched or snagged rotating wheel, backing pad, brush or any other accessory. Pinching or snagging causes rapid stalling of the rotating accessory which in turn causes the uncontrolled power tool to be forced in the direction opposite of the accessory's rotation at the point of the binding. For example, if an abrasive wheel is snagged or pinched by the workpiece, the edge of the wheel that is entering into the pinch point can dig into the surface of the material causing the wheel to climb out or kick out. The wheel may either jump toward or away from the operator, depending on direction of the wheel's movement at the point of pinching. Abrasive wheels may also break under these conditions.

Kickback is the result of power tool misuse and/or incorrect operating procedures or conditions and can be avoided by taking proper precautions as given below.

1. **Maintain a firm grip on the power tool and position your body and arm to allow you to resist kickback forces. Always use auxiliary handle, if provided, for maximum control over kickback or torque reaction during start-up.** The operator can control torque reactions or kickback forces, if proper precautions are taken.
2. **Never place your hand near the rotating accessory.** Accessory may kickback over your hand.
3. **Do not position your body in the area where power tool will move if kickback occurs.** Kickback will propel the tool in direction opposite to the wheel's movement at the point of snagging.
4. **Use special care when working corners, sharp edges etc. Avoid bouncing and snagging the accessory.** Corners, sharp edges or bouncing have a tendency to snag the rotating accessory and cause loss of control or kickback.
5. **Do not attach a saw chain woodcarving blade or toothed saw blade.** Such blades create frequent kickback and loss of control.

Safety Warnings Specific for Grinding and Abrasive Cutting-Off Operations:

1. **Use only wheel types that are recommended for your power tool and the specific guard designed for the selected wheel.** Wheels for which the power tool was not designed cannot be adequately guarded and are unsafe.
2. **The grinding surface of centre depressed wheels must be mounted below the plane of the guard lip.** An improperly mounted wheel that projects through the plane of the guard lip cannot be adequately protected.
3. **The guard must be securely attached to the power tool and positioned for maximum safety, so the least amount of wheel is exposed towards the operator.** The guard helps to protect the operator from broken wheel fragments, accidental contact with wheel and sparks that could ignite clothing.
4. **Wheels must be used only for recommended applications. For example: do not grind with the side of cut-off wheel.** Abrasive cut-off wheels are intended for peripheral grinding, side forces applied to these wheels may cause them to shatter.

5. **Always use undamaged wheel flanges that are of correct size and shape for your selected wheel.** Proper wheel flanges support the wheel thus reducing the possibility of wheel breakage. Flanges for cut-off wheels may be different from grinding wheel flanges.
6. **Do not use worn down wheels from larger power tools.** Wheel intended for larger power tool is not suitable for the higher speed of a smaller tool and may burst.

Additional Safety Warnings Specific for Abrasive Cutting-Off Operations:

1. **Do not "jam" the cut-off wheel or apply excessive pressure. Do not attempt to make an excessive depth of cut.** Overstressing the wheel increases the loading and susceptibility to twisting or binding of the wheel in the cut and the possibility of kickback or wheel breakage.
2. **Do not position your body in line with and behind the rotating wheel.** When the wheel, at the point of operation, is moving away from your body, the possible kickback may propel the spinning wheel and the power tool directly at you.
3. **When wheel is binding or when interrupting a cut for any reason, switch off the power tool and hold the power tool motionless until the wheel comes to a complete stop. Never attempt to remove the cut-off wheel from the cut while the wheel is in motion otherwise kickback may occur.** Investigate and take corrective action to eliminate the cause of wheel binding.
4. **Do not restart the cutting operation in the workpiece. Let the wheel reach full speed and carefully re-enter the cut.** The wheel may bind, walk up or kickback if the power tool is restarted in the workpiece.
5. **Support panels or any oversized workpiece to minimize the risk of wheel pinching and kickback.** Large workpieces tend to sag under their own weight. Supports must be placed under the workpiece near the line of cut and near the edge of the workpiece on both sides of the wheel.
6. **Use extra caution when making a "pocket cut" into existing walls or other blind areas.** The protruding wheel may cut gas or water pipes, electrical wiring or objects that can cause kickback.

Safety Warnings Specific for Sanding Operations:

1. **Do not use excessively oversized sanding disc paper. Follow manufacturers recommendations, when selecting sanding paper.** Larger sanding paper extending beyond the sanding pad presents a laceration hazard and may cause snagging, tearing of the disc or kickback.

Safety Warnings Specific for Wire Brushing Operations:

1. **Be aware that wire bristles are thrown by the brush even during ordinary operation. Do not overstress the wires by applying excessive load to the brush.** The wire bristles can easily penetrate light clothing and/or skin.

- If the use of a guard is recommended for wire brushing, do not allow any interference of the wire wheel or brush with the guard. Wire wheel or brush may expand in diameter due to work load and centrifugal forces.

Additional Safety Warnings:

- When using depressed centre grinding wheels, be sure to use only fiberglass-reinforced wheels.
- NEVER USE Stone Cup type wheels with this grinder.** This grinder is not designed for these types of wheels and the use of such a product may result in serious personal injury.
- Be careful not to damage the spindle, the flange (especially the installing surface) or the lock nut. Damage to these parts could result in wheel breakage.
- Make sure the wheel is not contacting the workpiece before the switch is turned on.
- Before using the tool on an actual workpiece, let it run for a while. Watch for vibration or wobbling that could indicate poor installation or a poorly balanced wheel.
- Use the specified surface of the wheel to perform the grinding.
- Do not leave the tool running. Operate the tool only when hand-held.
- Do not touch the workpiece immediately after operation; it may be extremely hot and could burn your skin.
- Do not touch accessories immediately after operation; it may be extremely hot and could burn your skin.
- Observe the instructions of the manufacturer for correct mounting and use of wheels. Handle and store wheels with care.
- Do not use separate reducing bushings or adaptors to adapt large hole abrasive wheels.
- Use only flanges specified for this tool.
- For tools intended to be fitted with threaded hole wheel, ensure that the thread in the wheel is long enough to accept the spindle length.
- Check that the workpiece is properly supported.
- Pay attention that the wheel continues to rotate after the tool is switched off.
- If working place is extremely hot and humid, or badly polluted by conductive dust, use a short-circuit breaker (30 mA) to assure operator safety.
- Do not use the tool on any materials containing asbestos.
- When use cut-off wheel, always work with the dust collecting wheel guard required by domestic regulation.
- Cutting discs must not be subjected to any lateral pressure.
- Do not use cloth work gloves during operation. Fibers from cloth gloves may enter the tool, which causes tool breakage.
- Make sure there are no electrical cables, water pipes, gas pipes etc. that could cause a hazard if damaged by use of the tool.

SAVE THESE INSTRUCTIONS.

⚠WARNING: DO NOT let comfort or familiarity with product (gained from repeated use) replace strict adherence to safety rules for the subject product. MISUSE or failure to follow the safety rules stated in this instruction manual may cause serious personal injury.

FUNCTIONAL DESCRIPTION

⚠CAUTION: Always be sure that the tool is switched off and unplugged before adjusting or checking function on the tool.

⚠CAUTION: Return the switch trigger to the "OFF" position in case of accidental unplugging, blackout, or the power is cut unintentionally. Otherwise the tool may start suddenly when the power returns and it may result in personal injury.

Shaft lock

Press the shaft lock to prevent spindle rotation when installing or removing accessories.

► Fig.1: 1. Shaft lock

NOTICE: Never actuate the shaft lock when the spindle is moving. The tool may be damaged.

Switch handle mounting positions

⚠CAUTION: Always make sure that the switch handle is locked in the desired position before operation.

The switch handle can be rotated to either 90° left or right to fit your work needs. First, unplug the tool. Press the lock button and rotate the switch handle to left or right fully. The switch handle will be locked in that position.

GA7070, GA9070

► Fig.2: 1. Motor housing 2. Lock button 3. Handle

GA7071, GA9071

► Fig.3: 1. Motor housing 2. Lock button 3. Handle

Switch action

⚠CAUTION: Before plugging in the tool, always check to see that the switch trigger actuates properly and returns to the "OFF" position when released.

There are three patterns of the switch action depending on country.

GA7070, GA9070

► Fig.4: 1. Switch trigger 2. Lock lever

► Fig.5: 1. Switch trigger 2. Lock lever

For tool with the lock-on switch

Country specific

⚠ CAUTION: Switch can be locked in “ON” position for ease of operator comfort during extended use. Apply caution when locking tool in “ON” position and maintain firm grasp on tool.

To start the tool, simply pull the switch trigger (in the B direction). Release the switch trigger to stop.

For continuous operation, pull the switch trigger (in the B direction) and then push in the lock lever (in the A direction).

To stop the tool from the locked position, pull the switch trigger fully (in the B direction), then release it.

For tool with the lock-off switch

Country specific

To prevent the switch trigger from accidentally pulled, a lock lever is provided.

To start the tool, push in the lock lever (in the A direction) and then pull the switch trigger (in the B direction). Release the switch trigger to stop.

NOTICE: Do not pull the switch trigger hard without pressing in the lock lever. This can cause switch breakage.

For tool with the lock-on and lock-off switch

Country specific

⚠ CAUTION: Switch can be locked in “ON” position for ease of operator comfort during extended use. Apply caution when locking tool in “ON” position and maintain firm grasp on tool.

To prevent the switch trigger from accidentally pulled, a lock lever is provided.

To start the tool, push in the lock lever (in the A direction) and then pull the switch trigger (in the B direction). Release the switch trigger to stop.

For continuous operation, push in the lock lever (in the A direction), pull the switch trigger (in the B direction) and then pull the lock lever (in the C direction).

To stop the tool from the locked position, pull the switch trigger fully (in the B direction), then release it.

NOTICE: Do not pull the switch trigger hard without pressing in the lock lever. This can cause switch breakage.

Indication lamp

► Fig.6: 1. Indication lamp

The indication lamp lights up green when the tool is plugged.

If the indication lamp does not light up, the mains cord or the controller may be defective.

The indication lamp lights up but the tool does not start even if the tool is switched on, the controller or the switch may be defective.

If the indicator lamp blinks in red, the carbon brushes may be worn out or the motor may be defective.

Unintentional restart proof

The tool does not start with the switch being lock-on even when the tool is plugged.

At this time, the indication lamp blinks in red to show the unintentional restart proof device is working.

To cancel the unintentional restart proof, return the switch to OFF position.

NOTE: Wait more than one second before restarting the tool when unintentional restart proof works.

Active Feedback sensing Technology

⚠ CAUTION: Hold the tool firmly until the rotation stops.

The tool electronically detects situations where the wheel or accessory may be at risk to be bound. In such situation, the tool automatically shuts off the power to prevent further rotation of the spindle (this does not prevent kickback).

At this time, the indication lamp blinks in red and shows the Active Feedback sensing Technology is working.

To restart the tool, switch off the tool first, remove the cause of sudden drop in the rotation speed, and then turn the tool on.

Soft start feature

Soft start feature reduces starting reaction.

ASSEMBLY

⚠ CAUTION: Always be sure that the tool is switched off and unplugged before carrying out any work on the tool.

Installing side grip (handle)

⚠ CAUTION: Always be sure that the side grip is installed securely before operation.

⚠ CAUTION: You can install the side grip on the 3 holes. Install the side grip on one of the holes according to the operation.

Screw the side grip securely on the position of the tool as shown in the figure.

► Fig.7

Installing or removing loop handle

Optional accessory

⚠ CAUTION: Always be sure the bolts on the loop handle is securely tightened before use.

⚠ CAUTION: Hold the gripping area of the loop handle specified in the figure. Also, keep the hand away from the metal part of the grinder during operation. Touching the metal part may result in electric shock, if the cutting attachment cuts live wire unexpectedly.

The loop handle can be more comfortable than the original side grip for some applications. To install the loop handle, mount it onto the tool as illustrated and tighten two bolts to fix it.

To remove the loop handle, follow the installation procedure in reverse.

► **Fig.8:** 1. Loop handle 2. Bolt 3. Gripping area

Installing or removing wheel guard (For depressed center wheel, flap disc, flex wheel, wire wheel brush / abrasive cut-off wheel, diamond wheel)

⚠ WARNING: When using a depressed center wheel, flap disc, flex wheel or wire wheel brush, the wheel guard must be fitted on the tool so that the closed side of the guard always points toward the operator.

⚠ WARNING: When using an abrasive cut-off / diamond wheel, be sure to use only the special wheel guard designed for use with cut-off wheels.

(In some European countries, when using a diamond wheel, the ordinary guard can be used. Follow the regulations in your country.)

For tool with locking screw type wheel guard

Mount the wheel guard with the protrusions on the wheel guard band aligned with the notches on the bearing box. Then rotate the wheel guard to such an angle that it can protect the operator according to work. Be sure to tighten the screw securely.

To remove wheel guard, follow the installation procedure in reverse.

► **Fig.9:** 1. Wheel guard 2. Bearing box 3. Screw

For tool with clamp lever type wheel guard

Optional accessory

⚠ WARNING: The wheel guard must be fitted on the tool so that the closed side of the guard always points toward the operator.

Loosen the nut, and then pull the lever in the direction of the arrow.

► **Fig.10:** 1. Nut 2. Lever

Mount the wheel guard with the protrusions on the wheel guard band aligned with the notches on the bearing box. Then rotate the wheel guard to such an angle that it can protect the operator according to work.

► **Fig.11:** 1. Wheel guard 2. Bearing box

► **Fig.12:** 1. Wheel guard

Securely tighten the nut using a spanner, and then close the lever in direction of the arrow to fasten the wheel guard. If the lever is too tight or too loose to fasten the wheel guard, open the lever and then loosen or tighten the nut using the spanner to adjust the tightening of the wheel guard band.

► **Fig.13:** 1. Nut 2. Lever

To remove wheel guard, follow the installation procedure in reverse.

Installing or removing depressed center wheel or flap disc

Optional accessory

⚠ WARNING: When using a depressed center wheel or flap disc, the wheel guard must be fitted on the tool so that the closed side of the guard always points toward the operator.

⚠ CAUTION: Make sure that the mounting part of the inner flange fits into the inner diameter of the depressed center wheel / flap disc perfectly. Mounting the inner flange on the wrong side may result in the dangerous vibration.

Mount the inner flange onto the spindle.

Make sure to fit the dented part of the inner flange onto the straight part at the bottom of the spindle.

Fit the wheel/disc on the inner flange and screw the lock nut with its protrusion facing downward (facing towards the wheel).

► **Fig.14:** 1. Lock nut 2. Depressed center wheel 3. Inner flange 4. Mounting part

To tighten the lock nut, press the shaft lock firmly so that the spindle cannot revolve, then use the lock nut wrench and securely tighten clockwise.

► **Fig.15:** 1. Lock nut wrench 2. Shaft lock

To remove the wheel, follow the installation procedure in reverse.

Installing or removing flex wheel

Optional accessory

⚠ WARNING: Always use supplied guard when flex wheel is on the tool. Wheel can shatter during use and guard helps to reduce chances of personal injury.

► **Fig.16:** 1. Lock nut 2. Flex wheel 3. Back up pad 4. Inner flange

Follow instructions for depressed center wheel but also use back up pad over wheel. See order of assembly on accessories page in this manual.

Installing or removing Ezynut

Optional accessory

Only for tools with M14 spindle thread.

Mount inner flange, abrasive wheel and Ezynut onto the spindle so that Makita Logo on Ezynut faces outside.

- **Fig.17:** 1. Ezynut 2. Abrasive wheel 3. Inner flange 4. Spindle

Press shaft lock firmly and tighten Ezynut by turning the abrasive wheel clockwise as far as it turns.

- **Fig.18:** 1. Shaft lock

To loosen the Ezynut, turn the outside ring of Ezynut counterclockwise.

NOTE: Ezynut can be loosened by hand as long as the arrow points the notch. Otherwise a lock nut wrench is required to loosen it. Insert one pin of the wrench into a hole and turn Ezynut counterclockwise.

- **Fig.19:** 1. Arrow 2. Notch

- **Fig.20**

Installing or removing abrasive disc

Optional accessory

- **Fig.21:** 1. Sanding lock nut 2. Abrasive disc 3. Rubber pad

1. Mount the rubber pad onto the spindle.
2. Fit the disc on the rubber pad and screw the sanding lock nut onto the spindle.
3. Hold the spindle with the shaft lock, and securely tighten the sanding lock nut clockwise with the lock nut wrench.

To remove the disc, follow the installation procedure in reverse.

NOTE: Use sander accessories specified in this manual. These must be purchased separately.

Installing or removing abrasive cut-off / diamond wheel

Optional accessory

⚠ WARNING: When using an abrasive cut-off / diamond wheel, be sure to use only the special wheel guard designed for use with cut-off wheels.

(In some European countries, when using a diamond wheel, the ordinary guard can be used. Follow the regulations in your country.)

⚠ WARNING: NEVER use cut-off wheel for side grinding.

Mount the inner flange onto the spindle. Fit the wheel / disc on the inner flange and screw the lock nut onto the spindle.

- **Fig.22:** 1. Lock nut 2. Abrasive cut-off wheel / diamond wheel 3. Inner flange 4. Wheel guard for abrasive cut-off wheel / diamond wheel

For Australia and New Zealand

- **Fig.23:** 1. Lock nut 2. Outer flange 78 3. Abrasive cut-off wheel / diamond wheel 4. Inner flange 78 5. Wheel guard for abrasive cut-off wheel / diamond wheel

Installing wire cup brush

Optional accessory

⚠ CAUTION: Do not use brush that is damaged, or which is out of balance. Use of damaged brush could increase potential for injury from contact with broken brush wires.

- **Fig.24:** 1. Wire cup brush

Remove any accessories on spindle. Thread wire cup brush onto spindle and tighten with the wrench.

Installing wire wheel brush

Optional accessory

⚠ CAUTION: Do not use wire wheel brush that is damaged, or which is out of balance. Use of damaged wire wheel brush could increase potential for injury from contact with broken wires.

⚠ CAUTION: ALWAYS use guard with wire wheel brushes, assuring diameter of wheel fits inside guard. Wheel can shatter during use and guard helps to reduce chances of personal injury.

- **Fig.25:** 1. Wire wheel brush

Remove any accessories on spindle. Thread wire wheel brush onto spindle and tighten with the wrench.

Installing dust collecting wheel guard

Dust collecting wheel guard for grinding

- **Fig.26:** 1. Lock nut 2. Cup-type diamond wheel 3. Hubbed cup-type diamond wheel 4. Inner flange 5. Dust collecting wheel guard 6. Bearing box

⚠ WARNING: Dust collecting wheel guard for grinding is only for use in grinding flat concrete with a cup-type diamond wheel. Do not use it with grinding stones or for any purpose other than mentioned.

Dust collecting wheel guard for cut-off (for model GA9070 / GA9071)

- **Fig.27**

NOTE: For information how to install the dust collecting cover, refer to the manual of the dust collecting cover.

Connecting a vacuum cleaner

Optional accessory

⚠ WARNING: Never vacuum metal particles generated by operation. Metal particles generated by such operation are so hot that they ignite dust and the filter inside the vacuum cleaner.

To avoid dusty environment caused by masonry cutting, use a dust collecting wheel guard and a vacuum cleaner.

Refer to the instruction manual attached to the dust collecting wheel guard for assembling and using it.

- **Fig.28:** 1. Dust collecting wheel guard for cut-off
2. Hose of the vacuum cleaner

OPERATION

⚠ WARNING: It should never be necessary to force the tool. The weight of the tool applies adequate pressure. Forcing and excessive pressure could cause dangerous wheel breakage.

⚠ WARNING: ALWAYS replace wheel if tool is dropped while grinding.

⚠ WARNING: NEVER bang or hit grinding disc or wheel onto work.

⚠ WARNING: Avoid bouncing and snagging the wheel, especially when working corners, sharp edges etc. This can cause loss of control and kickback.

⚠ WARNING: NEVER use tool with wood cutting blades and other saw blades. Such blades when used on a grinder frequently kick and cause loss of control leading to personal injury.

⚠ CAUTION: Never switch on the tool when it is in contact with the workpiece, it may cause an injury to operator.

⚠ CAUTION: Always wear safety goggles or a face shield during operation.

⚠ CAUTION: After operation, always switch off the tool and wait until the wheel has come to a complete stop before putting the tool down.

⚠ CAUTION: ALWAYS hold the tool firmly with one hand on housing and the other on the side grip (handle).

Grinding and sanding operation

- **Fig.29**

Turn the tool on and then apply the wheel or disc to the workpiece.

In general, keep the edge of the wheel or disc at an angle of about 15° to the workpiece surface.

During the break-in period with a new wheel, do not work the grinder in forward direction or it may cut into the workpiece. Once the edge of the wheel has been rounded off by use, the wheel may be worked in both forward and backward direction.

Operation with abrasive cut-off / diamond wheel

Optional accessory

⚠ WARNING: Do not “jam” the wheel or apply excessive pressure. Do not attempt to make an excessive depth of cut. Overstressing the wheel increases the loading and susceptibility to twisting or binding of the wheel in the cut and the possibility of kickback, wheel breakage and overheating of the motor may occur.

⚠ WARNING: Do not start the cutting operation in the workpiece. Let the wheel reach full speed and carefully enter into the cut moving the tool forward over the workpiece surface. The wheel may bind, walk up or kickback if the power tool is started in the workpiece.

⚠ WARNING: During cutting operations, never change the angle of the wheel. Placing side pressure on the cut-off wheel (as in grinding) will cause the wheel to crack and break, causing serious personal injury.

⚠ WARNING: A diamond wheel shall be operated perpendicular to the material being cut.

Usage example: operation with abrasive cut-off wheel

- **Fig.30**

Usage example: operation with diamond wheel

- **Fig.31**

Operation with wire cup brush

Optional accessory

⚠ CAUTION: Check operation of brush by running tool with no load, insuring that no one is in front of or in line with brush.

NOTICE: Avoid applying too much pressure which causes over bending of wires when using the wire cup brush. It may lead to premature breakage.

Usage example: operation with wire cup brush

- **Fig.32**

Operation with wire wheel brush

Optional accessory

⚠ CAUTION: Check operation of wire wheel brush by running tool with no load, insuring that no one is in front of or in line with the wire wheel brush.

NOTICE: Avoid applying too much pressure which causes over bending of wires when using wire wheel brush. It may lead to premature breakage.

Usage example: operation with wire wheel brush

- **Fig.33**

MAINTENANCE

⚠ CAUTION: Always be sure that the tool is switched off and unplugged before attempting to perform inspection or maintenance.

NOTICE: Never use gasoline, benzine, thinner, alcohol or the like. Discoloration, deformation or cracks may result.

To maintain product SAFETY and RELIABILITY, repairs, any other maintenance or adjustment should be performed by Makita Authorized or Factory Service Centers, always using Makita replacement parts.

NOTE: Do not loosen the screw on the cover. Otherwise the cover may be opened accidentally.

► **Fig.34:** 1. Screw

Air vent cleaning

The tool and its air vents have to be kept clean. Regularly clean the tool's air vents or whenever the vents start to become obstructed.

► **Fig.35:** 1. Exhaust vent 2. Inhalation vent

Brake maintenance

The tool should be immediately repaired by Makita Authorized or Factory Service Centers in following situation or any other malfunction;

- The braking performance declines noticeably.
- The inertial rotation of the accessory continues for more than 6 seconds after releasing the switch trigger.

OPTIONAL ACCESSORIES

⚠ CAUTION: These accessories or attachments are recommended for use with your Makita tool specified in this manual. The use of any other accessories or attachments might present a risk of injury to persons. Only use accessory or attachment for its stated purpose.

If you need any assistance for more details regarding these accessories, ask your local Makita Service Center.

► Fig.36

-	180 mm	230 mm
1	Side grip / Loop handle	
2	Wheel guard for depressed center grinding wheel / flap disc / wire wheel brush	
3	Inner flange *1	
4	Depressed center grinding wheel / Flap disc	
5	Lock nut / Ezynut *1	
6	Wheel guard for abrasive cut off wheel / diamond wheel *2	
7	Inner flange 78 (Australia and New Zealand only) *3	
8	Abrasive cut-off wheel / Diamond wheel	
9	Outer flange 78 (Australia and New Zealand only) *3	
10	Back up pad	
11	Flex wheel	
12	Rubber pad	
13	Abrasive disc	
14	Sanding lock nut	
15	Wire wheel brush	
16	Wire cup brush	
17	-	Side grip for dust collecting wheel guard
18	-	Dust collecting wheel guard for cut-off
19	-	Special flange *4
20	-	Diamond wheel
21	Dust collecting wheel guard for offset diamond wheel	
22	Offset diamond wheel	
-	Lock nut wrench	
-	Dust cover attachment	

NOTE: *1 Only for tools with M14 spindle thread.

NOTE: *2 In some European countries, when using a diamond wheel, the ordinary guard can be used instead of the special guard covering the both side of the wheel. Follow the regulations in your country.

NOTE: *3 Use Inner flange 78 and Outer flange 78 together. (Australia and New Zealand only)

NOTE: *4 The Inner flange for the grinder equipped with the brake function when using together with the dust collecting wheel guard.

NOTE: Some items in the list may be included in the tool package as standard accessories. They may differ from country to country.

规格

型号:	GA7070	GA7071	GA9070	GA9071
砂轮直径	180 mm		230 mm	
最大砂轮厚度	7.2 mm		6.5 mm	
主轴螺纹	M14或5/8" (规格因国家而异)			
额定速度 (n)	8,500 r/min		6,600 r/min	
长度	506 mm			
开关把手	杆式	D式	杆式	D式
净重	6.1 - 6.6 kg	6.2 - 6.7 kg	6.3 - 8.5 kg	6.4 - 8.5 kg
安全等级	回/II			

- 生产者保留变更规格不另行通知之权利。
- 规格可能因销往国家之不同而异。
- 重量因附件而异。根据EPTA-Procedure 01/2014, 最重与最轻的组合见表格。

符号

以下显示本设备可能会使用的符号。在使用工具之前, 请务必理解其含义。



阅读使用说明书。



佩带安全眼镜。



II类工具



仅限于欧盟国家
由于本设备中包含有害成分, 因此使用过的电气和电子设备可能会对环境和人体健康产生负面影响。
请勿将电气和电子工具与家庭普通废弃物放在一起处置!
根据欧洲关于废弃电气电子设备的指令及其国家层面的修订法案, 使用过的电气和电子设备应当单独收集并递送至城市垃圾收集点, 根据环保规定进行处置。
此规定由标有叉形标志的带轮垃圾桶符号表示。

用途

本工具用于在无水的情况下进行金属和石块材料的磨削、砂磨和切割。

电源

本工具只可连接电压与铭牌所示电压相同的电源, 且仅可使用单相交流电源。本工具双重绝缘, 因此也可用于不带接地线的插座。

安全警告

电动工具通用安全警告

警告: 阅读随电动工具提供的所有安全警告、说明、图示和规定。不遵照以下所列说明会导致电击、着火和/或严重伤害。

保存所有警告和说明书以备查阅。

警告中的术语“电动工具”是指市电驱动(有线)电动工具或电池驱动(无线)电动工具。

工作场地的安全

1. 保持工作场地清洁和明亮。杂乱和黑暗的场地会引发事故。
2. 不要在易爆环境，如有易燃液体、气体或粉尘的环境下操作电动工具。电动工具产生的火花会点燃粉尘或气体。
3. 操作电动工具时，远离儿童和旁观者。注意力不集中会使你失去对工具的控制。

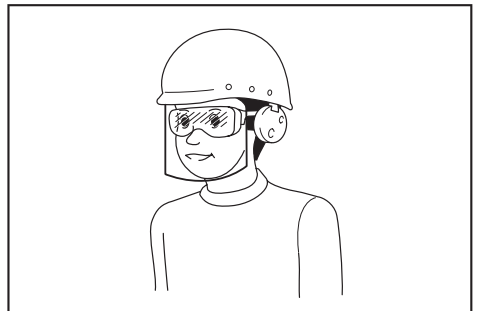
电气安全

1. 电动工具插头必须与插座相配。绝不能以任何方式改装插头。需接地的电动工具不能使用任何转换插头。未经改装的插头和相配的插座将降低电击风险。
2. 避免人体接触接地表面，如管道、散热片和冰箱。如果你身体接触接地表面会增加电击风险。
3. 不得将电动工具暴露在雨中或潮湿环境中。水进入电动工具将增加电击风险。
4. 不得滥用软线。绝不能用软线搬运、拉动电动工具或拔出其插头。使软线远离热源、油、锐边或运动部件。受损或缠绕的软线会增加电击风险。
5. 当在户外使用电动工具时，使用适合户外使用的延长线。适合户外使用的电线将降低电击风险。
6. 如果无法避免在潮湿环境中操作电动工具，应使用带有剩余电流装置（RCD）保护的电源。RCD的使用可降低电击风险。
7. 始终建议通过额定剩余电流为**30 mA**或以下的**RCD**来使用电源。
8. 电动工具会产生对用户无害的电磁场（EMF）。但是，起搏器和其他类似医疗设备的用户应在操作本电动工具前咨询其设备的制造商和/或医生寻求建议。
9. 请勿用湿手触摸电源插头。
10. 如果导线破损，则由制造商或其代理商更换以避免安全隐患。

人身安全

1. 保持警觉，当操作电动工具时关注所从事的操作并保持清醒。当你感到疲倦，或在有药物、酒精或治疗反应时，不要操作电动工具。在操作电动工具时瞬间的疏忽会导致严重人身伤害。
2. 使用个人防护装置。始终佩戴护目镜。防护装置，诸如适当条件下使用防尘面具、防滑安全鞋、安全帽、听力防护等装置能减少人身伤害。

3. 防止意外启动。在连接电源和/或电池包、拿起或搬运工具前确保开关处于关断位置。手指放在开关上搬运工具或开关处于接通时通电会导致危险。
4. 在电动工具接通之前，拿掉所有调节钥匙或扳手。遗留在电动工具旋转零件上的扳手或钥匙会导致人身伤害。
5. 手不要过分伸展。时刻注意立足点和身体平衡。这样能在意外情况下能更好地控制住电动工具。
6. 着装适当。不要穿宽松衣服或佩戴饰品。让你的头发和衣服远离运动部件。宽松衣服、配饰或长发可能会卷入运动部件。
7. 如果提供了与排屑、集尘设备连接用的装置，要确保其连接完好且使用得当。使用集尘装置可降低尘屑引起的危险。
8. 不要因为频繁使用工具而产生的熟悉感而掉以轻心，忽视工具的安全准则。某个粗心的动作可能在瞬间导致严重的伤害。
9. 使用电动工具时请始终佩带护目镜以免伤害眼睛。护目镜须符合美国**ANSI Z87.1**、欧洲**EN 166**或者澳大利亚/新西兰的**AS/NZS 1336**的规定。在澳大利亚/新西兰，法律要求佩带面罩保护脸部。



雇主有责任监督工具操作者和其他近工作区域人员佩带合适的安全防护设备。

电动工具使用和注意事项

1. 不要勉强使用电动工具，根据用途使用合适的电动工具。选用合适的按照额定值设计的电动工具会使你工作更有效、更安全。
2. 如果开关不能接通或关断电源，则不能使用该电动工具。不能通过开关来控制的电动工具是危险的且必须进行修理。

3. 在进行任何调节、更换附件或贮存电动工具之前，必须从电源上拔掉插头和/或卸下电池包（如可拆卸）。这种防护性的安全措施降低了电动工具意外起动的风险。
4. 将闲置不用的电动工具贮存在儿童所及范围之外，并且不允许不熟悉电动工具和不了解这些说明的人操作电动工具。电动工具在未经培训的使用者手中是危险的。
5. 维护电动工具及其附件。检查运动部件是否调整到位或卡住，检查零件破损情况和影响电动工具运行的其他状况。如有损坏，应在使用前修理好电动工具。许多事故是由维护不良的电动工具引发的。
6. 保持切削刀具锋利和清洁。维护良好地有锋利切削刃的刀具不易卡住而且容易控制。
7. 按照使用说明书，并考虑作业条件和要进行的作业来选择电动工具、附件和工具的刀头等。将电动工具用于那些与其用途不符的操作可能会导致危险情况。
8. 保持手柄和握持表面干燥、清洁，不得沾有油脂。在意外的情况下，湿滑的手柄不能保证握持的安全和对工具的控制。
9. 使用本工具时，请勿佩戴可能会缠绕的布质工作手套。布质工作手套卷入移动部件可能会造成人身伤害。

维修

1. 由专业维修人员使用相同的备件维修电动工具。这将保证所维修的电动工具的安全。
2. 上润滑油及更换附件时请遵循本说明书指示。

磨光机安全警告

通用于磨削、砂磨、用钢丝刷清理或砂轮切割操作的安全警告：

1. 本电动工具用作磨光机、砂光机、钢丝刷或切断机。请通读本电动工具附带的所有安全警告、说明、插图和规定。若不遵循下列说明，则可能导致触电、起火和/或严重的人身伤害。
2. 最好不要将本工具用于抛光等操作。进行非本工具设计用途的操作可能会有危险并导致人身伤害。
3. 请勿使用非专用的或未得到工具制造商推荐的附件。这样的附件虽然可安装在电动工具上，但无法确保操作安全。
4. 附件的额定速度必须至少等同于电动工具上标示的最大速度。当运转速度大于额定速度时，附件可能会破裂并飞出。
5. 附件的外径和厚度必须在工具的额定能力之内。尺寸不正确的附件将无法安全操控。
6. 螺纹安装的配件必须符合磨光机的主轴螺纹。对于使用法兰安装的配件，附件的轴孔必须符合法兰的定位直径。与本电动工具的安装硬件不匹配的附件将失去平衡，振动过度并可能导致失控。
7. 请勿使用损坏的附件。在每次使用之前，请检查附件，如砂轮有无碎片和裂缝，垫片有无裂缝、破损或过度磨损，钢丝刷有无松动或断裂的钢丝。如果工具或附件掉落，请检查有无损坏或重新安装一个未损坏的附件。检查和安装了附件之后，请使旁观者以及您自己远离旋转的附件，并以最大空载速度运行工具一分钟。损坏的附件通常会在此测试期间破裂。
8. 请穿戴个人劳防用品。根据应用情况，请使用面罩、安全护目镜或安全眼镜。根据情况佩带可防止较小的砂磨碎片或工件碎片的防尘面罩、耳罩、手套和车间用的围裙。护目镜必须具备可以防止多种操作所产生的飞溅的碎片伤害到您的能力。防尘面罩或呼吸器必须具备可过滤操作中产生的微粒的能力。长时间的高强度噪音可能会损伤您的听力。
9. 使旁观者远离工作区域，保持一定的安全距离。所有进入工作区域的人员必须穿戴个人劳防用品。工件的碎片或破损的附件可能会飞溅到操作区域以外并导致人身伤害。
10. 当进行作业时切割附件可能会接触到隐藏的电线或自身的电线，请仅握住工具的绝缘抓握表面。切割附件接触到“带电”的电线时，电动工具上曝露的金属部分可能也会“带电”，并使操作者触电。
11. 勿使工具导线靠近旋转附件。否则线头可能会被切割到或卡住，从而可能使您的手或手臂被拖入旋转附件中。
12. 在附件完全停止之前切勿将工具放下。旋转附件可能会碰撞地面或工作台面而导致工具失控。
13. 您身边携带电动工具时请勿运行工具。防止因不小心接触到旋转附件而导致衣物被卷入，甚至伤及身体。

14. 请定期清洁工具的通风口。电机的风扇会将灰尘带入外壳，过多的金属粉末累积会导致电气危害。
15. 请勿在可燃物附近运行电动工具。火花可能会点燃这些物品。
16. 请勿使用需要冷却液的附件。使用水或其他冷却液可能会导致触电或死亡。

反弹和相关警告

反弹是正在旋转的砂轮、垫片、钢丝刷或其他配件卡滞或卡滞时突然产生的反作用力。卡滞会导致旋转配件的快速停止，从而在卡滞点处对失控的工具产生与配件旋转方向相反的作用力。

例如，如果工件使得砂轮卡滞，则进入卡滞点的砂轮边缘将进入工件材料的表面，导致砂轮跳出或弹出。根据砂轮在卡滞点的运动方向，砂轮可能会跳向或远离操作者。在这种情况下，砂轮也可能会破裂。

电动工具误操作和 / 或不正确的操作步骤或操作条件将导致反弹，遵守以下所述的注意事项即可避免。

1. 请牢固紧握电动工具的把手，调整身体和手臂位置以防止反弹力。如果提供了辅助手柄，请务必使用，以在启动时最大程度地控制反弹或转矩反作用力。如果正确遵守注意事项，操作者可控制转矩反作用力或反弹力。
2. 切勿将手靠近旋转的附件。附件可能会反弹到您手上。
3. 请勿置身于发生反弹时电动工具可能移动的区域。反弹会在卡滞点处以与砂轮运动方向相反的力作用于砂轮。
4. 当处理边角、锐利的边缘等处时请特别小心。避免使附件跳跃和卡滞。边角、锐利的边缘或附件发生跳跃可能会使旋转的附件被钩住并导致工具失控或反弹。
5. 请勿安装锯齿链木雕锯片或齿状锯片。这些锯片会发生频繁的反弹并导致工具失控。

专用于磨削和砂轮切割操作的安全警告：

1. 请仅使用被推荐用于您的电动工具的砂轮以及专用于所选砂轮的砂轮罩。非专用于本电动工具的砂轮无法得到足够的防护并无法保证安全。
2. 锥形砂轮的砂磨表面必须安装在砂轮罩边缘的平面之下。突出于砂轮罩边缘平面的安装不当的砂轮将不能得到充分的保护。

3. 砂轮罩必须牢固安装到电动工具上并放置在最为安全的位置，使得砂轮外露的部分尽可能地少。砂轮罩可防止操作者被砂轮碎片划伤或意外接触到砂轮和可能会点燃衣物的火星。
4. 仅可将砂轮用于推荐的应用情况。例如：请勿用切割砂轮的侧面进行磨削。切割砂轮用于进行外围磨削，对这些砂轮应用侧力可能会导致其破碎。
5. 请务必使用未损坏的砂轮法兰，尺寸和外形应符合您所选的砂轮。正确的砂轮法兰可减少砂轮破裂的危险。切割砂轮的法兰可能与磨削砂轮法兰有所不同。
6. 请勿使用从更大的电动工具上拆下来的已磨损的砂轮。用于大型电动工具的砂轮不适合小型工具的高速操作，可能会爆裂。

专用于砂轮切割操作的附加安全警告：

1. 请勿“挤压”切割砂轮或对其过度施压。请勿试图切割过深。对砂轮过度施压会使负荷增加，使砂轮在切割时易于扭曲或卡滞，也使发生反弹或砂轮破裂的可能性增大。
2. 请勿与旋转的砂轮成一直线站立或站在其后面。如果操作时砂轮的移动方向为远离您，如果此时发生反弹，则可能会迫使旋转的砂轮直接指向您。
3. 当砂轮卡滞或因任何原因中断切割操作时，请关闭电动工具并将工具保持不动，直至砂轮完全停止。当砂轮还在运动中时，切勿试图将切割砂轮从工件中取出，否则可能会造成反弹。研究并采取正确的措施以避免砂轮卡滞。
4. 请勿在工件中重新启动切割操作。请等到砂轮到达全速后再小心地重新启动切割。如果电动工具在工件中重新启动，则砂轮可能会卡滞、移动或反弹。
5. 请支撑面板或其他大型工件以最大限度地降低砂轮卡滞和反弹的可能。大型工件会因自身的重量而下陷。必须在工件下面靠近切割线和砂轮两侧工件边缘放置支撑件。
6. 当在墙壁或其他盲区进行“袖珍切割”时请尤其小心。凸出的砂轮可能会切割到气管或水管、电线或其他物体，从而导致反弹。

专用于砂磨操作的安全警告：

1. 请勿使用尺寸过大的砂纸。选择砂纸时请遵照制造商的推荐。大于砂盘的砂纸会有破裂的危险并可能导致砂轮片的卡滞、破裂或反弹。

专用于钢丝刷操作的安全警告：

1. 即使在正常操作时也请小心钢丝刷的钢毛飞出。请勿使钢丝刷过载导致钢丝过压。钢毛很容易穿透轻薄的衣服和 / 或皮肤。
2. 如果建议为钢丝刷配备护罩，请勿使其影响到钢丝轮或在带有护罩的情况下使用钢丝刷。根据工作负荷和离心力作用，钢丝轮或钢丝刷在直径上可能会有所伸展。

附加安全警告：

1. 当使用锥形砂轮时，请务必且仅可使用玻璃钢砂轮。
2. 使用本磨光机时切勿使用机碗形砂轮。此类砂轮不适用于本磨光机，强行使用可能会导致严重的人身伤害。
3. 请小心勿损坏主轴、法兰（尤其是安装表面）或锁紧螺母。这些部件损坏可能会导致砂轮破裂。
4. 打开开关前，请确认砂轮未与工件接触。
5. 在实际的工件上使用工具之前，请先让工具空转片刻。请注意，振动或摇摆可能表示安装不当或砂轮不平衡。
6. 请使用砂轮的指定表面来执行磨削。
7. 运行中的工具不可离手放置。只可在手握工具的情况下操作工具。
8. 操作之后，请勿立刻触摸工件，因为它们可能会非常烫，导致烫伤皮肤。
9. 操作之后，请勿立刻触摸附件，因为它们可能会非常烫，从而导致烫伤皮肤。
10. 请遵照制造商的说明进行正确安装和使用砂轮。请小心处理和存放砂轮。
11. 请勿使用分离式卸套或适配器来适配大孔砂轮。
12. 请仅使用本工具指定的法兰。
13. 对于要安装螺纹孔砂轮的工具，请确保砂轮中的螺纹足够长，可配合主轴的长度。
14. 检查并确认工件被正确支撑。
15. 请注意，关闭工具之后，砂轮还会继续旋转。

16. 如果工作场所非常热并且潮湿，或者被导电灰尘严重污染，请使用短路断路器（30 mA）以保障操作者的人身安全。
17. 请勿在任何含有石棉的材料上使用本工具。
18. 当使用切割砂轮时，请务必同时使用国内法规规定的集尘砂轮罩。
19. 切割盘不得受到任何侧向的压力。
20. 操作时请勿使用布质工作手套。布质手套的纤维可能会进入工具，导致工具破裂。
21. 请确保不存在电缆、水管、煤气管道等，如果其因使用本工具而受损，可能会引起危险。

请保留此说明书。

警告： 请勿为图方便或因对产品足够熟悉（由于重复使用而获得的经验）而不严格遵循相关产品安全规则。使用不当或不遵循使用说明书中的安全规则会导致严重的人身伤害。

功能描述

小心： 在调节或检查工具功能之前，请务必关闭工具电源开关并拔出电源插头。

小心： 插头意外脱落、停电或突然断电时，请将开关扳机恢复至“OFF”（关闭）位置。否则恢复电源时工具会突然启动并且可能造成人身伤害。

轴锁

安装或拆卸附件时，按下轴锁，防止主轴旋转。

► 图片1: 1. 轴锁

注意： 切勿在主轴进行转动时启用轴锁。否则可能会损坏工具。

开关把手安装位置

⚠️小心：操作前请务必确保开关把手锁定在所需的位置。

开关把手可向左或向右旋转90°，以符合您工作的需要。首先，请拔下工具的电源插头。按下锁定按钮，并将开关把手充分向左或向右旋转。开关把手将被锁定在此位置。

GA7070, GA9070

▶ 图片2: 1. 电机外罩 2. 锁定按钮 3. 把手

GA7071, GA9071

▶ 图片3: 1. 电机外罩 2. 锁定按钮 3. 把手

开关操作

⚠️小心：插上工具电源插头之前，请务必确认开关扳机能够正常工作，松开时能回到“OFF”（关闭）位置。

开关操作模式因国家而异，共有三种模式。

GA7070, GA9070

▶ 图片4: 1. 开关扳机 2. 锁定杆

GA7071, GA9071

▶ 图片5: 1. 开关扳机 2. 锁定杆

对于带自锁开关的工具

规格因国家而异

⚠️小心：长时间使用时，可将开关锁定在“ON”（开启）位置，使操作更加舒适。将工具锁定在“ON”（开启）位置时请小心，务必牢固把握工具。

要启动工具时，只需扣动开关扳机（按图中B箭头所示方向）。松开开关扳机工具即停止。

如果要连续运转，只需扣动开关扳机（按图中B箭头所示方向），然后推入锁定杆（按图中A箭头所示方向）即可。

要从锁定位置停止工具时，可将开关扳机扣到底（按图中B箭头所示方向），然后释放。

对于带锁止开关的工具

规格因国家而异

为避免使用者不小心扣动开关扳机，本工具采用锁定杆。

要启动工具时，只需推入锁定杆（按图中A箭头所示方向），然后扣动开关扳机（按图中B箭头所示方向）即可。松开开关扳机工具即停止。

注意：在没有按下锁定杆的情况下，请勿用力扣动开关扳机。否则可能会导致开关破损。

对于带自锁开关和锁止开关的工具

规格因国家而异

⚠️小心：长时间使用时，可将开关锁定在“ON”（开启）位置，使操作更加舒适。将工具锁定在“ON”（开启）位置时请小心，务必牢固把握工具。

为避免使用者不小心扣动开关扳机，本工具采用锁定杆。

要启动工具时，只需推入锁定杆（按图中A箭头所示方向），然后扣动开关扳机（按图中B箭头所示方向）即可。松开开关扳机工具即停止。

如果要连续运转，只需推入锁定杆（按图中A箭头所示方向），再扣动开关扳机（按图中B箭头所示方向），然后拉锁定杆（按图中C箭头所示方向）即可。

要从锁定位置停止工具时，可将开关扳机扣到底（按图中B箭头所示方向），然后释放。

注意：在没有按下锁定杆的情况下，请勿用力扣动开关扳机。否则可能会导致开关破损。

指示灯

▶ 图片6: 1. 指示灯

接通工具电源时，指示灯呈绿色亮起。

如果指示灯没有亮起，则可能是电源线或控制器故障。

如果指示灯亮起而工具没有启动（即使工具已开启），则可能是由于控制器或开关故障的缘故。

如果指示灯闪烁红色，则可能是由于碳刷磨损或是电机故障的缘故。

防止意外重启

即时接通工具电源，因开关被锁，工具不会启动。

此时，指示灯闪烁红色，表示防止意外重启装置正在工作。

要取消防止意外重启功能，请将开关恢复到OFF（关闭）位置。

注：防止意外重启功能工作时，请在重启工具前等待一秒以上。

主动反馈感测技术

⚠️小心：握紧工具，直到旋转停止。

本工具可以电子方式检测砂轮或附件是否有卡滞的风险。在这种情况下，本工具会自动切断电源以防止主轴继续旋转（无法防止反弹）。

此时，指示灯闪烁红色，表示主动反馈感测技术正在工作。

要重新启动工具，请先关闭工具，排除旋转速度突然下降的原因，然后再启动工具。

软启动功能

软启动功能可抑制启动时的阻力。

装配

⚠️小心：对工具进行任何装配操作前请务必确认机器已关闭且已拔下电源插头。

安装侧把手（手柄）

⚠️小心：在进行操作之前，请务必将侧柄牢固地安装在工具上。

⚠️小心：您可以将侧把手安装在3个孔上。请根据操作选择一个孔安装侧把手。

在如图所示的工具位置上拧紧侧把手。

► 图片7

安装或拆卸环形把手

选购附件

⚠️小心：使用前，务必确保环形把手上的螺栓已紧固。

⚠️小心：握住图中所示的环形把手的握持部分。此外，在操作时，请使手部远离磨光机的金属部分。如果切割装置意外切割到带电的电线，接触金属部分可能会导致触电。

对于某些应用，使用环形把手可能会比使用原装侧把手更舒适。要安装环形把手时，请按图示将其安装至工具上，并拧紧两个螺栓将其固定。

要拆下环形把手时，按与安装步骤相反的顺序进行。

► 图片8：1. 环形把手 2. 螺栓 3. 握持部分

安装或拆卸砂轮罩（用于钹形砂轮、干叶片、弹性砂轮片、钢丝轮刷/切割砂轮、金钢石砂轮）

⚠️警告：当使用钹形砂轮、干叶片、弹性砂轮片或钢丝轮刷时，必须将砂轮罩安装到工具上，确保砂轮罩的封闭侧始终朝向操作者所在位置。

⚠️警告：使用切割砂轮/金钢石砂轮时，请务必仅使用专用于切割砂轮的砂轮罩。

（一些欧洲国家允许在使用金钢石砂轮时使用普通砂轮罩。请遵循当地法规。）

对于带锁定螺丝型砂轮罩的工具

安装砂轮罩时，将砂轮罩环上的凸缘片对准轴承箱上的槽口。然后根据工件的情况，旋转砂轮罩至可以保护操作者的角度。确保已将螺丝拧紧。

拆下砂轮罩时，按与安装步骤相反的顺序进行。

► 图片9：1. 砂轮罩 2. 轴承箱 3. 螺丝

对于带夹杆型砂轮罩的工具

选购附件

⚠️警告：必须在工具上安装砂轮罩，使其闭合侧始终指向操作者。

拧松螺母，然后沿箭头方向拉杆。

► 图片10：1. 螺母 2. 杆

安装砂轮罩时，将砂轮罩环上的凸缘片对准轴承箱上的槽口。然后根据作业情况，旋转砂轮罩至适当角度以保证操作者安全。

► 图片11：1. 砂轮罩 2. 轴承箱

► 图片12：1. 砂轮罩

使用扳手拧紧螺母，然后按箭头方向闭合夹杆以固定砂轮罩。如果该杆过紧或过松，无法固定砂轮罩时，请打开该杆，然后用扳手拧松或拧紧螺母来调节砂轮罩环的松紧度。

► 图片13：1. 螺母 2. 夹杆

拆下砂轮罩时，按与安装步骤相反的顺序进行。

安装或拆下钹形砂轮或干叶片

选购附件

警告： 当使用钹形砂轮或干叶片时，必须将砂轮罩安装到工具上，确保砂轮罩的封闭侧始终朝向操作者所在位置。

小心： 确保将内法兰盘的安装部件完美地装配至钹形砂轮 / 干叶片的内直径。将内法兰盘安装至错误的一侧可能会导致危险的振动。

将内法兰盘安装到主轴上。确保将内法兰盘的凹陷部分安装至主轴的竖直部分。

把砂轮 / 砂轮片装在内法兰盘上，然后使锁紧螺母凸起部分朝下（朝向砂轮），将其拧紧。

► **图片14:** 1. 锁紧螺母 2. 钹形砂轮 3. 内法兰盘 4. 安装部件

拧紧锁紧螺母时，需用力按住轴锁以防主轴转动，然后用锁紧螺母扳手按顺时针拧紧。

► **图片15:** 1. 锁紧螺母扳手 2. 轴锁

拆下砂轮时，按与安装步骤相反顺序进行。

安装或拆卸弹性砂轮片

选购附件

警告： 当工具上装有弹性砂轮片时，请务必使用提供的砂轮罩。在使用中砂轮可能会碎裂，砂轮罩可降低人身伤害的危险。

► **图片16:** 1. 锁紧螺母 2. 弹性砂轮片 3. 支撑垫 4. 内法兰盘

遵循指示操作钹形砂轮，并在砂轮上使用支撑垫。有关组装顺序请参阅本说明书关于附件的说明页。

安装或拆卸使用螺母（Ezynut）

选购附件

仅用于带M14主轴螺纹的工具。

将内法兰盘、砂轮和使用螺母（Ezynut）安装至主轴上，使使用螺母（Ezynut）上的Makita（牧田）标志面朝外。

► **图片17:** 1. 使用螺母（Ezynut） 2. 砂轮 3. 内法兰盘 4. 主轴

用力按住轴锁，尽量顺时针旋转砂轮以紧固使用螺母（Ezynut）。

► **图片18:** 1. 轴锁

要松开使用螺母（Ezynut）时，请逆时针旋转使用螺母（Ezynut）的外环。

注： 箭头指向凹槽时可以手动松开使用螺母（Ezynut）。否则需用锁紧螺母扳手方可松开。将扳手销插入孔内逆时针转动使用螺母（Ezynut）。

► **图片19:** 1. 箭头 2. 凹槽

► **图片20**

安装或拆卸砂轮片

选购附件

► **图片21:** 1. 砂磨用锁紧螺母 2. 砂轮片 3. 橡胶垫

1. 在主轴上安装橡胶垫。

2. 将砂轮片安装在橡胶垫上并将砂磨用锁紧螺母紧固在主轴上。

3. 使用轴锁固定主轴，并使用锁紧螺母扳手顺时针牢固拧紧砂磨用锁紧螺母。

要拆下砂轮片时，请按与安装时相反的步骤进行。

注： 请使用本手册中指定的砂光机配件。这些配件需要另行购买。

切割砂轮 / 金刚石砂轮的操作

选购附件

警告： 使用切割砂轮 / 金刚石砂轮时，请务必仅使用专用于切割砂轮的砂轮罩。

（一些欧洲国家允许在使用金刚石砂轮时使用普通砂轮罩。请遵循当地法规。）

警告： 切勿使用切割砂轮进行侧面磨削。

将内法兰盘安装到主轴上。

将砂轮 / 砂轮片放在内法兰盘上，并用锁紧螺母将其与主轴固定。

► **图片22:** 1. 锁紧螺母 2. 切割砂轮 / 金刚石砂轮 3. 内法兰盘 4. 切割砂轮 / 金刚石砂轮用砂轮罩

仅供澳大利亚及新西兰用户

► **图片23:** 1. 锁紧螺母 2. 外法兰盘 78 3. 切割砂轮 / 金刚石砂轮 4. 内法兰盘 78 5. 切割砂轮 / 金刚石砂轮用砂轮罩

安装杯形钢丝刷

选购附件

⚠小心： 请勿使用损坏或失衡的钢丝刷。使用损坏的钢丝刷会增加因接触损坏的刷丝而导致的潜在危险。

► **图片24： 1.** 杯形钢丝刷

拆下主轴上的所有附件。将杯形钢丝刷安装至主轴并用扳手加以紧固。

安装钢丝轮刷

选购附件

⚠小心： 请勿使用损坏或失衡的钢丝轮刷。使用损坏的钢丝轮刷会增加因接触损坏的刷丝而导致的潜在危险。

⚠小心： 务必将钢丝轮刷与砂轮罩一同使用，并确保砂轮直径适合砂轮罩。在使用中砂轮可能会碎裂，砂轮罩可降低人身伤害的危险。

► **图片25： 1.** 钢丝轮刷

拆下主轴上的所有附件。将钢丝轮刷紧固在主轴上并使用扳手加以紧固。

安装集尘式砂轮罩

用于磨削的集尘式砂轮罩

► **图片26： 1.** 锁紧螺母 **2.** 碗形金刚石砂轮 **3.** 碗形金刚石砂轮轴砂轮 **4.** 内法兰盘 **5.** 集尘式砂轮罩 **6.** 轴承箱

⚠警告： 用于磨削的集尘式砂轮罩仅适用于使用碗形金刚石砂轮磨削平整混凝土的情况。请勿将其与研磨石一起使用或者用于上述之外的用途。

用于切割的集尘式砂轮罩（仅限GA9070 / GA9071型号）

► **图片27**

注： 有关集尘罩的安装信息，请参考集尘罩说明书。

连接吸尘器

选购附件

⚠警告： 切勿用集尘器清扫操作中产生的金属微粒。此类操作产生的金属微粒温度很高，会引燃集尘器里面的灰尘和过滤器。

为避免砖石切削导致多尘环境，请使用集尘式砂轮罩和集尘器。

关于集尘式砂轮罩的装配和使用，请参考集尘式砂轮罩随附的使用说明书。

► **图片28： 1.** 用于切割的集尘式砂轮罩 **2.** 集尘器软管

操作

⚠警告： 操作工具时切勿过度用力。工具的重量可施加足够的压力。施加过度的压力会导致砂轮破碎的危险。

⚠警告： 如果在磨削时工具跌落，一定要更换砂轮。

⚠警告： 切勿用磨盘或砂轮敲击工件。

⚠警告： 在进行角部或锐边等部分的加工作业时应避免发生砂轮弹跳和受阻现象，以防砂轮失控而反弹。

⚠警告： 本工具严禁使用锯木锯片和其他锯片。在磨光机上使用时，这些锯片经常会反冲，并使工具失去控制导致人身伤害。

⚠小心： 切勿在工具与工件接触的情况下接通工具电源，这样会导致操作者受伤。

⚠小心： 操作时请务必佩戴护目镜或口罩。

⚠小心： 操作完毕后，请务必关闭工具，等到砂轮完全停止转动后再把工具放下。

⚠小心： 请务必用一只手握持工具外壳，另一只手握持侧把手（手柄）上将工具握紧。

磨削和砂磨操作

► 图片29

打开工具开关，然后使用砂轮或砂轮片加工工件。

通常，砂轮或圆盘边缘应保持与工件表面成15°角度。

在新砂轮的磨合期，不要沿正向操作砂轮，否则砂轮会切入工件内。当砂轮边缘经过使用被磨圆后，即可按正向或反向任意操作砂轮。

切割砂轮 / 金刚石砂轮的操作

选购附件

⚠警告：请勿“挤压”砂轮或对其过度施压。请勿试图切割过深。对砂轮过度施压会使负载增加，使砂轮在切割时易于扭曲或卡滞，也使发生反弹或砂轮破损的可能性增大，可能会导致砂轮破损和电机过热。

⚠警告：请勿在工件中启动切割操作。请让砂轮达到全速时再小心地将其插入切割工件的表面。如果电动工具在工件中启动，则砂轮可能会卡滞、移动或反弹。

⚠警告：在切割操作时，切勿改变砂轮的角度。对切割砂轮施以侧压（磨削操作中）将导致砂轮裂开和破损，从而导致严重的人身伤害。

⚠警告：操作时，金刚石砂轮应与被切割材料相垂直。

应用示例：使用切割砂轮进行操作

► 图片30

应用示例：使用金刚石砂轮进行操作

► 图片31

杯形钢丝刷的操作

选购附件

⚠小心：确保无人在钢丝刷前面或与其成直线站立时，在工具无负载的情况下运行工具来检查钢丝刷。

注意：当使用杯形钢丝刷时，避免施加过大的压力，否则会导致钢丝弯折。从而造成过早破裂。

应用示例：使用杯形钢丝刷进行操作

► 图片32

钢丝轮刷的操作

选购附件

⚠小心：确保在钢丝轮刷前面无人或与其成直线站立时，在工具无负载情况下运行工具来检查钢丝轮刷。

注意：避免施加过大的压力，否则会在钢丝轮刷的使用过程中导致钢丝弯折。从而造成过早破裂。

应用示例：使用钢丝轮刷进行操作

► 图片33

保养

⚠小心：检查或保养工具之前，请务必关闭工具电源开关并拔下插头。

注意：切勿使用汽油、苯、稀释剂、酒精或类似物品清洁工具。否则可能会导致工具变色、变形或出现裂缝。

为了保证产品的安全与可靠性，维修、任何其他维修保养或调节需由Makita（牧田）授权的或工厂维修服务中心完成。务必使用Makita（牧田）的替换部件。

注：请勿松开罩子上的螺丝。否则罩子会意外打开。

► 图片34： 1. 螺丝

通风孔清洁

工具及其通风孔应保持清洁。定期清洁通风口或在通风口开始被堵塞时进行清洁。

► 图片35： 1. 排气孔 2. 进气孔

制动维护

如果出现以下情况或其它任何故障，请立即将工具交由Makita（牧田）授权的维修点或工厂维修服务中心进行维修：

- 制动性能明显下降。
- 松开开关扳机后，附件因惯性而持续旋转6秒以上。

选购附件

⚠小心： 这些附件或装置专用于本说明书所列的**Makita（牧田）**工具。如使用其他厂牌附件或装置，可能导致人身伤害。仅可将附件或装置用于规定目的。

如您需要了解更多关于这些选购附件的信息，请咨询当地的**Makita（牧田）**维修服务中心。

► 图片36

-	180 mm	230 mm
1	侧把手/环形把手	
2	适用于钹形砂轮 / 千叶片 / 钢丝轮刷用砂轮罩	
3	内法兰 *1	
4	钹形砂轮 / 千叶片	
5	锁紧螺母 / Ezynut *1	
6	切割砂轮 / 金刚石砂轮用砂轮罩 *2	
7	内法兰78（仅适用于澳大利亚及新西兰用户）*3	
8	切割砂轮 / 金刚石砂轮	
9	外法兰78（仅适用于澳大利亚及新西兰用户）*3	
10	支撑垫	
11	弹性砂轮片	
12	橡胶垫	
13	砂轮片	
14	砂磨用锁紧螺母	
15	钢丝轮刷	
16	杯形钢丝刷	
17	-	用于集尘式砂轮罩的侧把手
18	-	用于切割的集尘式砂轮罩
19	-	特殊法兰 *4
20	-	金刚石砂轮
21	偏置式金刚石砂轮适用的集尘式砂轮罩	
22	偏置金刚石砂轮	
-	锁紧螺母扳手	
-	防尘盖板装置	

注：*1 仅用于带M14主轴螺纹的工具。

注：*2 一些欧洲国家允许在使用金刚石砂轮时使用普通砂轮罩替代覆盖砂轮两侧的专用砂轮罩。请遵循当地法规。

注：*3 配合使用内法兰78和外法兰78。（仅适用于澳大利亚及新西兰地区的用户）

注：*4 结合集尘式砂轮罩使用时，用于磨光机的内法兰具有制动功能。

注：本列表中的一些部件可能作为标准配件包含于工具包装内。它们可能因销往国家之不同而异。

SPEKIFIKASI

Model:	GA7070	GA7071	GA9070	GA9071
Diameter roda	180 mm		230 mm	
Ketebalan roda maks.	7,2 mm		6,5 mm	
Ulir spindel	M14 atau 5/8" (negara tertentu)			
Kecepatan terukur (n)	8.500 min ⁻¹		6.600 min ⁻¹	
Panjang keseluruhan	506 mm			
Pegangan sakelar	Tipe batang	Tipe D	Tipe batang	Tipe D
Berat bersih	6,1 - 6,6 kg	6,2 - 6,7 kg	6,3 - 8,5 kg	6,4 - 8,5 kg
Kelas keamanan	□/II			

- Karena kesinambungan program penelitian dan pengembangan kami, spesifikasi yang disebutkan di sini dapat berubah tanpa pemberitahuan.
- Spesifikasi dapat berbeda dari satu negara ke negara lainnya.
- Berat alat mungkin berbeda tergantung perangkat tambahan yang dipasang. Kombinasi alat terberat dan teringan, sesuai Prosedur EPTA 01/2014, ditunjukkan pada tabel.

Simbol

Berikut ini adalah simbol-simbol yang dapat digunakan pada peralatan ini. Pastikan Anda memahami arti masing-masing simbol sebelum menggunakan peralatan.



Baca petunjuk penggunaan.



Gunakan kaca mata pengaman.



ISOLASI GANDA



Hanya untuk negara-negara UE
Akibat adanya komponen berbahaya dalam peralatan, peralatan listrik dan elektronik bekas dapat memiliki dampak negatif pada lingkungan dan kesehatan manusia.
Jangan buang peralatan listrik dan elektronik bersama limbah rumah tangga! Sesuai dengan Petunjuk Eropa tentang limbah peralatan listrik dan elektronik dan penyesuaiannya dengan undang-undang nasional, peralatan listrik dan elektronik bekas harus dikumpulkan secara terpisah dan dikirim ke tempat pengumpulan terpisah untuk limbah kota, beroperasi sesuai dengan peraturan perlindungan lingkungan.
Hal ini ditunjukkan dengan simbol tempat sampah bersilang yang ditempatkan pada peralatan.

Penggunaan

Mesin ini dirancang untuk menggerinda, mengampelas dan memotong logam dan material batuan tanpa menggunakan air.

Pasokan daya

Mesin harus terhubung dengan pasokan daya listrik yang bervoltase sama dengan yang tertera pada pelat nama, dan hanya dapat dijalankan dengan listrik AC fase tunggal. Mesin diisolasi ganda dan oleh sebab itu dapat dihubungkan dengan soket tanpa kabel.

PERINGATAN KESELAMATAN

Peringatan keselamatan umum mesin listrik

⚠ PERINGATAN: Bacalah semua peringatan keselamatan, petunjuk, ilustrasi dan spesifikasi yang disertakan bersama mesin listrik ini. Kelalaian untuk mematuhi semua petunjuk yang tercantum di bawah ini dapat menyebabkan sengatan listrik, kebakaran dan/atau cedera serius.

Simpanlah semua peringatan dan petunjuk untuk acuan di masa depan.

Istilah "mesin listrik" dalam semua peringatan mengacu pada mesin listrik yang dijalankan dengan sumber listrik jala-jala (berkabel) atau baterai (tanpa kabel).

Keselamatan tempat kerja

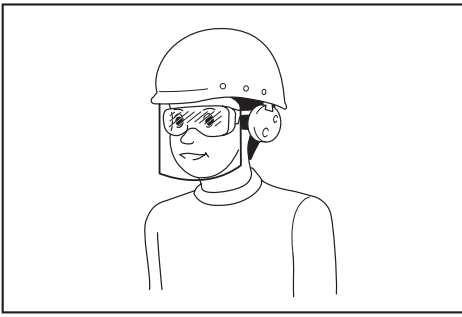
1. **Jaga tempat kerja selalu bersih dan berpenerangan cukup.** Tempat kerja yang berantakan dan gelap mengundang kecelakaan.
2. **Jangan gunakan mesin listrik dalam lingkungan yang mudah meledak, misalnya jika ada cairan, gas, atau debu yang mudah menyala.** Mesin listrik menimbulkan bunga api yang dapat menyalakan debu atau uap tersebut.
3. **Jauhkan anak-anak dan orang lain saat menggunakan mesin listrik.** Bila perhatian terpecah, anda dapat kehilangan kendali.

Keamanan Kelistrikan

1. **Steker mesin listrik harus cocok dengan stopkontak. Jangan sekali-kali mengubah steker dengan cara apa pun. Jangan menggunakan steker adaptor dengan mesin listrik terbumi (dibumikan).** Steker yang tidak diubah dan stopkontak yang cocok akan mengurangi risiko sengatan listrik.
2. **Hindari sentuhan tubuh dengan permukaan terbumi atau yang dibumikan seperti pipa, radiator, kompor, dan kulkas.** Risiko sengatan listrik bertambah jika tubuh Anda terbumikan atau dibumikan.
3. **Jangan membiarkan mesin listrik kehujanan atau kebasahan.** Air yang masuk ke dalam mesin listrik akan meningkatkan risiko sengatan listrik.
4. **Jangan menyalahgunakan kabel. Jangan sekali-kali menggunakan kabel untuk membawa, menarik, atau mencabut mesin listrik dari stopkontak. Jauhkan kabel dari panas, minyak, tepian tajam, atau bagian yang bergerak.** Kabel yang rusak atau kusut memperbesar risiko sengatan listrik.
5. **Bila menggunakan mesin listrik di luar ruangan, gunakan kabel ekstensi yang sesuai untuk penggunaan di luar ruangan.** Penggunaan kabel yang sesuai untuk penggunaan luar ruangan mengurangi risiko sengatan listrik.
6. **Jika mengoperasikan mesin listrik di lokasi lembap tidak terhindarkan, gunakan pasokan daya yang dilindungi peranti imbasan arus (residual current device - RCD).** Penggunaan RCD mengurangi risiko sengatan listrik.
7. **Penggunaan pasokan daya melalui RCD dengan kapasitas arus sisa 30 mA atau kurang selalu dianjurkan.**
8. **Mesin listrik dapat menghasilkan medan magnet (EMF) yang tidak berbahaya bagi pengguna.** Namun, pengguna alat pacu jantung atau peralatan medis sejenisnya harus berkonsultasi dengan produsen peralatan tersebut dan/atau dokter mereka sebelum mengoperasikan mesin listrik ini.
9. **Jangan menyentuh colokan daya dengan tangan basah.**
10. **Jika kabel rusak, penggantian harus dilakukan oleh produsen atau agennya untuk menghindari bahaya keselamatan.**

Keselamatan Diri

1. **Jaga kewaspadaan, perhatikan pekerjaan Anda dan gunakan akal sehat bila menggunakan mesin listrik. Jangan menggunakan mesin listrik saat Anda lelah atau di bawah pengaruh obat bius, alkohol, atau obat.** Sekejap saja lalai saat menggunakan mesin listrik dapat menyebabkan cedera badan serius.
2. **Gunakan alat pelindung diri. Selalu gunakan pelindung mata.** Peralatan pelindung seperti masker debu, sepatu pengaman anti-selip, helm pengaman, atau pelindung telinga yang digunakan untuk kondisi yang sesuai akan mengurangi risiko cedera badan.
3. **Cegah penyalakan yang tidak disengaja. Pastikan bahwa sakelar berada dalam posisi mati (off) sebelum menghubungkan mesin ke sumber daya dan/atau paket baterai, atau mengangkat atau membawanya.** Membawa mesin listrik dengan jari Anda pada sakelarnya atau mengalirkan listrik pada mesin listrik yang sakelarnya hidup (on) akan mengundang kecelakaan.
4. **Lepaskan kunci-kunci penyetel sebelum menghidupkan mesin listrik.** Kunci-kunci yang masih terpasang pada bagian mesin listrik yang berputar dapat menyebabkan cedera.
5. **Jangan meraih terlalu jauh. Jagalah pijakan dan keseimbangan sepanjang waktu.** Hal ini memungkinkan kendali yang lebih baik atas mesin listrik dalam situasi yang tidak diharapkan.
6. **Kenakan pakaian yang memadai. Jangan memakai pakaian yang longgar atau perhiasan. Jaga jarak antara rambut dan pakaian Anda dengan komponen mesin yang bergerak.** Pakaian yang longgar, perhiasan, atau rambut yang panjang dapat tersangkut pada komponen yang bergerak.
7. **Jika tersedia fasilitas untuk menghisap dan mengumpulkan debu, pastikan fasilitas tersebut terhubung listrik dan digunakan dengan baik.** Penggunaan pembersih debu dapat mengurangi bahaya yang terkait dengan debu.
8. **Jangan sampai Anda lengah dan mengabaikan prinsip keselamatan mesin ini hanya karena sudah sering mengoperasikannya dan sudah merasa terbiasa.** Tindakan yang lalai dapat menyebabkan cedera berat dalam sepersekian detik saja.
9. **Selalu kenakan kacamata pelindung untuk melindungi mata dari cedera saat menggunakan mesin listrik. Kacamata harus sesuai dengan ANSI Z87.1 di Amerika Serikat, EN 166 di Eropa, atau AS/NZS 1336 di Australia/Selandia Baru. Di Australia/Selandia Baru, secara hukum Anda juga diwajibkan mengenakan pelindung wajah untuk melindungi wajah Anda.**



Menjadi tanggung jawab atasan untuk menerapkan penggunaan alat pelindung keselamatan yang tepat bagi operator mesin dan orang lain yang berada di area kerja saat itu.

Penggunaan dan pemeliharaan mesin listrik

1. **Jangan memaksa mesin listrik. Gunakan mesin listrik yang tepat untuk keperluan Anda.** Mesin listrik yang tepat akan menuntaskan pekerjaan dengan lebih baik dan aman pada kecepatan sesuai rancangannya.
2. **Jangan gunakan mesin listrik jika sakelar tidak dapat menyalakan dan mematikannya.** Mesin listrik yang tidak dapat dikendalikan dengan sakelarnya adalah berbahaya dan harus diperbaiki.
3. **Cabut steker dari sumber listrik dan/atau lepas paket baterai, jika dapat dilepas, dari mesin listrik sebelum melakukan penyetelan apa pun, mengganti aksesoris, atau menyimpan mesin listrik.** Langkah keselamatan preventif tersebut mengurangi risiko hidupnya mesin secara tak sengaja.
4. **Simpan mesin listrik jauh dari jangkauan anak-anak dan jangan biarkan orang yang tidak paham mengenai mesin listrik tersebut atau petunjuk ini menggunakan mesin listrik.** Mesin listrik sangat berbahaya di tangan pengguna yang tak terlatih.
5. **Rawatlah mesin listrik dan aksesoris. Periksa apakah ada komponen bergerak yang tidak lurus atau macet, komponen yang pecah, dan kondisi-kondisi lain yang dapat memengaruhi pengoperasian mesin listrik. Jika rusak, perbaiki dahulu mesin listrik sebelum digunakan.** Banyak kecelakaan disebabkan oleh kurangnya pemeliharaan mesin listrik.
6. **Jaga agar mesin pemotong tetap tajam dan bersih.** Mesin pemotong yang terawat baik dengan mata pemotong yang tajam tidak mudah macet dan lebih mudah dikendalikan.
7. **Gunakan mesin listrik, aksesoris, dan mata mesin, dll. sesuai dengan petunjuk ini, dengan memperhitungkan kondisi kerja dan jenis pekerjaan yang dilakukan.** Penggunaan mesin listrik untuk penggunaan yang lain dari peruntukan dapat menimbulkan situasi berbahaya.

8. **Jagalah agar gagang dan permukaan pegangan tetap kering, bersih, dan bebas dari minyak dan pelumas.** Gagang dan permukaan pegangan yang licin tidak mendukung keamanan penanganan dan pengendalian mesin dalam situasi-situasi tak terduga.
9. **Ketika menggunakan mesin, jangan menggunakan sarung tangan kain yang dapat tersangkut.** Sarung tangan kain yang tersangkut pada komponen bergerak dapat mengakibatkan cedera pada pengguna.

Servis

1. **Berikan mesin listrik untuk diperbaiki hanya kepada oleh teknisi yang berkualifikasi dengan menggunakan hanya suku cadang pengganti yang serupa.** Hal ini akan menjamin terjaganya keamanan mesin listrik.
2. **Patuhi petunjuk pelumasan dan penggantian aksesoris.**

Peringatan keselamatan penggerinda

Peringatan Keselamatan yang Umum untuk Penggerindaan, Pengampelasan, Penyikatan dengan Sikat Kawat, atau Pengoperasian Pemotongan Abrasif:

1. **Mesin listrik ini dirancang untuk berfungsi sebagai gerinda, pengampelas, sikat kawat atau mesin pemotong. Bacalah semua peringatan keselamatan, petunjuk, ilustrasi dan spesifikasi yang disertakan bersama mesin listrik ini.** Kelalaian untuk mematuhi semua petunjuk yang tercantum di bawah ini dapat menyebabkan sengatan listrik, kebakaran dan/atau cedera serius.
2. **Tidak dianjurkan menggunakan mesin listrik ini untuk melakukan pekerjaan seperti memoles.** Pekerjaan yang tidak sesuai dengan spesifikasi mesin listrik ini dapat menimbulkan bahaya dan menyebabkan cedera pada pengguna.
3. **Jangan gunakan aksesoris yang tidak dirancang secara khusus dan dianjurkan oleh produsen mesin.** Hanya karena aksesoris tersebut dapat dipasang pada mesin listrik Anda, bukan berarti dapat menjamin keselamatan dalam pengoperasian.
4. **Kecepatan terukur pada aksesoris setidaknya harus sama dengan kecepatan maksimum yang tertera pada mesin listrik.** Aksesoris yang bekerja lebih cepat dari kecepatan terukurinya mungkin saja pecah dan terlempar.
5. **Diameter luar dan tebal aksesoris Anda harus berada dalam nilai kapasitas mesin listrik Anda.** Aksesoris dengan ukuran yang tidak tepat tidak dapat dilindungi atau dikendalikan secara memadai.

6. **Pemasangan aksesoris berulir harus sesuai dengan ulir spindel gerinda. Untuk aksesoris yang dipasang menggunakan flensa, lubang punjung pada aksesoris harus cocok dengan diameter tempat pemasangan pada flensa.** Aksesoris punjung yang tidak sesuai dengan perangkat keras pemasangan mesin listrik akan bekerja secara tidak seimbang, bergetar berlebihan dan dapat menyebabkan hilangnya kendali.
 7. **Jangan menggunakan aksesoris yang sudah rusak. Setiap kali sebelum digunakan, periksa apakah ada patahan dan retakan pada roda abrasif, apakah ada retakan, sobekan atau keausan pada bantalan belakang, serta apakah ada kawat yang longgar atau patah pada sikat kawat. Jika mesin listrik atau aksesoris jatuh, periksa apakah terjadi kerusakan, atau pasang aksesoris yang tidak rusak. Setelah memeriksa dan memasang aksesoris, posisikan diri Anda dan orang di sekitar jauh dari bidang aksesoris yang berputar dan jalankan mesin listrik pada kecepatan maksimum tanpa beban selama satu menit.** Aksesoris yang rusak umumnya akan pecah selama waktu pengujian ini.
 8. **Kenakan alat pelindung diri. Tergantung pekerjaannya, gunakan pelindung muka, kaca mata pelindung atau kaca mata pengaman. Sesuai dengan pekerjaannya, kenakan masker debu, pelindung telinga, sarung tangan, dan apron bengkel yang mampu menahan debu gerinda atau serpihan benda kerja.** Pelindung mata harus mampu menahan debu yang berhamburan, yang ditimbulkan dari berbagai jenis pekerjaan. Masker debu atau alat pernafasan harus mampu menyaring partikel yang dihasilkan dari pekerjaan Anda. Terpaan yang berkepanjangan terhadap kebisingan berintensitas tinggi dapat menyebabkan hilangnya pendengaran.
 9. **Jaga agar orang di sekitar berada dalam jarak aman yang jauh dari area kerja. Siapa pun yang masuk ke area kerja harus mengenakan alat pelindung diri.** Potongan benda kerja atau dari aksesoris yang rusak mungkin saja terlempar dan menyebabkan cedera di area yang langsung berdekatan dengan pekerjaan.
 10. **Saat melakukan pekerjaan yang memiliki kemungkinan mesin pemotong bersentuhan dengan kawat tersembunyi atau kabelnya sendiri, pegang mesin listrik hanya pada permukaan genggam yang terisolasi.** Aksesoris pemotong yang menyentuh kawat "hidup" dapat menyebabkan bagian logam pada mesin teraliri arus listrik dan menyengat pengguna.
 11. **Posisikan kabel agar tidak terkena aksesoris yang berputar.** Jika Anda kehilangan kendali, kabel mungkin saja terpotong atau tersangkut dan tangan atau lengan Anda mungkin saja tertarik oleh aksesoris yang berputar.
 12. **Jangan sekali-kali meletakkan mesin listrik sebelum aksesorinya benar-benar berhenti.** Aksesoris yang berputar dapat menyambar permukaan dan menarik mesin listrik di luar kendali Anda.
 13. **Jangan menyalakan mesin listrik sambil membawanya di sisi badan Anda.** Sentuhan yang tidak disengaja oleh aksesoris yang berputar dapat merobek pakaian Anda, yang akan menarik aksesoris ke arah badan Anda.
 14. **Bersihkan ventilasi udara mesin listrik secara rutin.** Kipas motor akan menarik debu ke dalam rumahannya, dan serbuk logam yang terkumpul secara berlebihan dapat menyebabkan bahaya listrik.
 15. **Jangan mengoperasikan mesin listrik di dekat benda-benda yang mudah terbakar.** Percikan apinya dapat menyulut benda-benda tersebut.
 16. **Jangan menggunakan aksesoris yang membutuhkan cairan pendingin.** Menggunakan air atau cairan pendingin lain dapat mengakibatkan kematian akibat sengatan listrik.
- Hentikan balik dan Peringatan Terkait**
Hentikan balik merupakan reaksi tiba-tiba akibat terjepit atau tersangkutnya roda yang berputar, bantalan belakang, sikat atau aksesoris lainnya. Kondisi terjepit atau tersangkut akan menyebabkan aksesoris yang berputar akan berhenti dengan cepat yang kemudian berubah mengakibatkan terdorongnya mesin listrik yang tak terkendali ke arah yang berlawanan dengan putaran aksesoris di titik tempat aksesoris tersebut terjepit.
- Sebagai contoh, jika roda ampelas tersangkut atau terjepit oleh benda kerja, tepi roda yang masuk ke titik tempat roda tersebut terjepit bisa menggali permukaan bahan, yang menyebabkan roda tersebut menanjak atau menghentak. Roda mungkin saja melompat ke arah atau menjauhi operator, tergantung arah gerakan roda di titik tempat roda tersebut terjepit. Roda ampelas juga mungkin saja pecah karena kondisi tersebut.
- Hentikan balik merupakan akibat dari kesalahan cara penggunaan mesin listrik dan/atau prosedur atau kondisi pengoperasian yang salah, dan dapat dihindari dengan melakukan tindakan kewaspadaan yang tepat sebagaimana diuraikan di bawah ini.
1. **Pertahankan genggam yang kuat pada mesin listrik serta posisi badan dan lengan Anda sehingga Anda dapat menahan gaya hentikan balik. Selalu gunakan pegangan tambahan, bila tersedia, untuk mengendalikan hentikan balik atau reaksi torsi secara maksimum selama mesin mulai dihidupkan.** Jika tindakan kewaspadaan yang tepat dilakukan, operator dapat mengendalikan reaksi torsi atau gaya hentikan balik.
 2. **Jangan sekali-kali memosisikan tangan Anda di dekat aksesoris yang berputar.** Aksesoris mungkin saja menghentak balik ke arah tangan Anda.
 3. **Jangan memosisikan badan Anda di area tempat mesin listrik akan bergerak bila terjadi hentikan balik.** Hentikan balik akan memutar mesin dalam arah yang berlawanan dengan gerakan roda di titik tempat roda tersebut tersangkut.

4. **Sangat berhati-hatilah saat bekerja di area sudut, tepi yang tajam, dsb. Jaga agar aksesori tidak memantul atau tersangkut.** Area sudut, tepi yang tajam, atau pantulan cenderung menyebabkan aksesori yang berputar tersangkut dan menyebabkan kehilangan kendali atau timbulnya hentakan balik.
5. **Jangan memasang mata gergaji rantai atau mata gergaji bergerigi.** Mata mesin seperti ini menghasilkan hentakan balik secara berkali-kali dan menyebabkan kehilangan kendali.

Peringatan Keselamatan Khusus untuk Pekerjaan Penggerindaan dan Pengoperasian Pemotongan Abrasif:

1. **Gunakan hanya tipe roda yang dianjurkan untuk mesin listrik Anda dan pelindung khusus yang dirancang untuk roda yang Anda pilih.** Roda yang tidak sesuai dengan spesifikasi mesin listrik ini tidak dapat terlindungi secara memadai, dan karenanya tidak aman.
2. **Permukaan untuk penggerindaan pada roda tengah gerinda harus dipasang di bawah bidang pada tepi pelindung.** Roda yang tidak dipasang dengan benar sehingga menonjol pada bidang tepi pelindung tidak dapat benar-benar terlindungi.
3. **Pelindung harus terpasang dengan kencang pada mesin listrik dan diposisikan untuk pengamanan maksimal, sehingga bagian roda yang menghadap ke operator menjadi minimal.** Pelindung tersebut ikut melindungi operator dari potongan patahan roda, gesekan dengan roda dan percikan api yang dapat membakar pakaian.
4. **Roda harus digunakan hanya untuk penggunaan yang disarankan. Misalnya: jangan menggerinda dengan bagian samping roda pemotong.** Roda pemotong abrasif ditujukan untuk pekerjaan gerinda sisi luar; jika roda dikenai tenaga dari samping, roda ini mungkin saja pecah.
5. **Selalu gunakan flensa roda yang tidak rusak dengan ukuran dan bentuk yang tepat sesuai dengan roda yang Anda pilih.** Flensa roda yang tepat akan menopang roda sehingga mengurangi kemungkinan pecahnya roda. Flensa untuk roda pemotongan mungkin saja berbeda dengan flensa roda gerinda.
6. **Jangan gunakan roda dengan kinerja yang sudah rendah dari mesin listrik yang lebih besar.** Roda yang dirancang untuk mesin listrik yang lebih besar tidak cocok untuk digunakan pada alat yang lebih kecil dengan kecepatan yang lebih tinggi dan mungkin saja akan rusak.

Tambahan Peringatan Keselamatan Khusus untuk Pengoperasian Pemotongan Abrasif:

1. **Jangan membuat roda pemotong “macet” atau menekannya secara berlebihan. Jangan mencoba memotong terlalu dalam.** Menempatkan tekanan berlebihan pada roda akan meningkatkan beban dan dapat menyebabkan roda berputar atau terjepit pada potongan dan terdapat kemungkinan terjadi hentakan balik atau kerusakan roda.

2. **Jangan menempatkan diri Anda sejajar dan di belakang roda yang berputar.** Pada titik pengerjaan, saat roda bergerak menjauh dari Anda, hentakan balik dapat menggerakkan roda yang berputar dan mesin listrik ke arah Anda secara langsung.
3. **Ketika roda terjepit atau pemotongan terhenti karena alasan apa pun, matikan mesin listrik dan tahan hingga roda benar-benar berhenti. Jangan pernah mencoba melepas roda pemotong dari pekerjaan pemotongan saat roda bergerak, jika tidak, akan terjadi hentakan balik.** Periksa dan ambil tindakan perbaikan yang tepat untuk mengatasi penyebab macetnya roda.
4. **Jangan ulangi pemotongan pada benda kerja. Biarkan roda mencapai kecepatan penuh dan masukkan kembali dengan hati-hati pada potongan.** Roda mungkin saja terjepit, bergerak ke atas atau terjadi hentakan balik jika mesin listrik dinyalakan ulang pada benda kerja.
5. **Tahan panel atau benda kerja berukuran besar untuk meminimalkan risiko roda terjepit dan terjadi hentakan balik.** Benda kerja besar cenderung melengkung karena beratnya. Penunjang harus diletakkan di bawah benda kerja dekat garis pemotongan dan dekat ujung benda kerja pada kedua sisi roda.
6. **Berhati-hatilah saat melakukan “pemotongan saku” pada dinding atau area buta lain.** Roda yang mencuat dapat memotong pipa gas atau air, kabel listrik, atau objek lain yang dapat menyebabkan hentakan balik.

Peringatan Keselamatan Khusus untuk Pekerjaan Pengampelasan:

1. **Jangan menggunakan kertas cakram ampelas yang ukurannya terlalu besar. Ikuti rekomendasi pabrik saat memilih kertas ampelas.** Kertas ampelas yang lebih besar melebihi bantalan ampelas akan menimbulkan bahaya cedera dan bisa menyebabkan tersangkut, pecahnya cakram atau terjadinya hentakan balik.

Peringatan Keselamatan Khusus untuk Pengoperasian dengan Sikat Kawat:

1. **Berhati-hatilah, jangan sampai serpihan kawat terlepas dari sikat bahkan pada pengoperasian standar. Jangan terlalu keras menekan kawat dengan memberikan tekanan yang terlalu besar pada sikat.** Serpihan kawat dapat dengan mudah menembus pakaian yang tipis dan/atau kulit.
2. **Jika penggunaan pelindung direkomendasikan untuk sikat kawat, jangan sampai roda kawat atau sikat mengganggu kerja pelindung.** Roda kawat atau sikat dapat bertambah diameternya bergantung pada beban kerja dan gaya sentrifugal.

Peringatan Keselamatan Tambahan:

1. Saat menggunakan roda gerinda tengah, pastikan bahwa Anda hanya menggunakan roda dengan fiberglass.
2. **JANGAN PERNAH GUNAKAN** roda berjenis Stone Cup dengan gerinda ini. Gerinda ini tidak dirancang untuk tipe roda semacam ini dan jika digunakan, hal ini dapat mengakibatkan cedera serius pada penggunanya.
3. Hati-hati jangan sampai merusak spindel, flensa (terutama permukaan pemasangan) atau mur kunci. Kerusakan pada bagian ini dapat mengakibatkan rusaknya roda.
4. Pastikan bahwa roda tidak menyentuh benda kerja sebelum sakelar dinyalakan.
5. Sebelum menggunakan mesin pada benda kerja yang sebenarnya, jalankan mesin sebentar. Waspadai getaran atau goyangan yang dapat menunjukkan lemahnya pemasangan atau roda yang kurang seimbang.
6. Gunakan permukaan roda yang sudah ditentukan untuk melakukan penggerindaan.
7. Jangan tinggalkan mesin dalam keadaan hidup. Jalankan mesin hanya ketika digenggam dengan tangan.
8. Jangan menyentuh benda kerja segera setelah pengoperasian; suhunya mungkin masih sangat panas dan dapat membakar kulit Anda.
9. Jangan menyentuh aksesoris segera setelah penggunaan; suhunya mungkin masih sangat panas dan dapat membakar kulit Anda.
10. Patuhi petunjuk produsen mengenai cara memasang dan menggunakan roda yang benar. Rawat dan simpan roda dengan cermat.
11. Jangan menggunakan bos atau adaptor pengurang yang terpisah untuk menyesuaikan roda dengan lubang abrasif berukuran besar.
12. Gunakan hanya flensa yang ditentukan untuk mesin ini.
13. Untuk mesin yang memang dirancang untuk roda lubang berulir, pastikan bahwa ulir dalam roda cukup panjang untuk menampung panjang spindel.
14. Periksa apakah benda kerja telah ditopang dengan baik.
15. Perhatikan bahwa roda terus berputar setelah mesin dimatikan.
16. Jika tempat kerja sangat panas dan lembap, sangat kotor oleh debu konduktif, gunakan pemutus daya (30 mA) untuk menjamin keselamatan operator.
17. Jangan menggunakan mesin pada bahan yang mengandung asbestos.
18. Roda pemotongan hendaknya selalu digunakan dengan pelindung roda pengumpul debu yang disyaratkan oleh undang-undang setempat.
19. Cakram pemotongan harus disesuaikan dengan tekanan lateral.
20. Jangan gunakan sarung tangan kerja kain selama pengoperasian. Serat dari sarung tangan kain dapat masuk ke mesin dan mengakibatkan kerusakan.

21. Pastikan tidak ada kabel listrik, pipa air, pipa gas, dll. yang dapat menyebabkan bahaya jika mengalami kerusakan akibat penggunaan mesin.

SIMPAN PETUNJUK INI.

⚠PERINGATAN: JANGAN biarkan kenyamanan atau terbiasanya Anda dengan produk (karena penggunaan berulang) mengurangi kepatuhan yang ketat terhadap aturan keselamatan untuk produk yang terkait. **PENYALAHGUNAAN** atau kelalaian mematuhi kaedah keselamatan yang tertera dalam petunjuk ini dapat menyebabkan cedera badan serius.

DESKRIPSI FUNGSI

⚠PERHATIAN: Selalu pastikan bahwa mesin dalam keadaan mati dan steker tercabut sebelum menyatel atau memeriksa kerja mesin.

⚠PERHATIAN: Kembalikan pelatuk sakelar ke posisi "OFF" jika tidak sengaja terlepas, mati listrik, atau daya listrik tiba-tiba terputus. Jika tidak, mesin dapat menyala secara tiba-tiba saat dialiri daya listrik kembali dan dapat menyebabkan cedera pribadi.

Kunci poros

Tekan kunci poros untuk mencegah berputarnya spindel saat memasang atau melepas aksesoris.

► **Gbr.1:** 1. Kunci poros

PEMBERITAHUAN: Jangan gerakkan kunci poros ketika spindel sedang bergerak. Mesin mungkin saja rusak.

Posisi pemasangan pegangan sakelar

⚠PERHATIAN: Selalu pastikan bahwa pegangan sakelar sudah terkunci dalam di posisi yang diinginkan sebelum pengoperasian.

Pegangan sakelar bisa diputar baik ke 90° ke kiri atau ke kanan untuk menyesuaikan kebutuhan kerja Anda. Pertama-tama, cabut steker mesin dari stopkontak. Tekan tombol kunci dan putar pegangan sakelar ke kiri atau kanan sepenuhnya. Pegangan sakelar akan terkunci pada posisi tersebut.

GA7070, GA9070

► **Gbr.2:** 1. Rumah motor 2. Tombol kunci 3. Pegangan

GA7071, GA9071

► **Gbr.3:** 1. Rumah motor 2. Tombol kunci 3. Pegangan

Kerja sakelar

PERHATIAN: Sebelum memasukkan steker, pastikan picu sakelar berfungsi dengan baik dan kembali ke posisi “OFF” saat dilepas.

Terdapat tiga pola kerja sakelar bergantung pada negara.

GA7070, GA9070

► **Gbr.4:** 1. Pelatuk sakelar 2. Tuas kunci

GA7071, GA9071

► **Gbr.5:** 1. Pelatuk sakelar 2. Tuas kunci

Untuk mesin dengan sakelar pengunci

Negara tertentu

PERHATIAN: Sakelar dapat dikunci dalam posisi “ON” untuk memberikan kenyamanan bagi operator selama penggunaan dalam jangka waktu lama. Selalu berhati-hatilah saat mengunci mesin dalam posisi “ON”, dan pegang mesin kuat-kuat.

Untuk menyalakan mesin, cukup tarik pelatuk sakelarnya (arah B). Lepaskan pelatuk sakelar untuk berhenti.

Untuk pengoperasian berkesinambungan, tarik pelatuk sakelar (arah B), kemudian tekan tuas kunci (arah A). Untuk membuka posisi terkunci, tarik pelatuk sakelar (arah B) sepenuhnya, kemudian lepaskan.

Untuk mesin dengan sakelar pembuka kunci

Negara tertentu

Untuk mencegah agar pelatuk sakelar tidak tertarik secara tidak sengaja, tersedia sebuah tuas pengunci. Untuk menyalakan mesin, tekan tuas kunci (arah A), kemudian tarik pelatuk sakelar (arah B). Lepaskan pelatuk sakelar untuk berhenti.

PEMBERITAHUAN: Jangan menarik kuat-kuat pelatuk sakelar tanpa menekan tuas kunci. Hal ini bisa merusak sakelar.

Untuk mesin dengan sakelar pengunci dan pembuka kunci

Negara tertentu

PERHATIAN: Sakelar dapat dikunci dalam posisi “ON” untuk memberikan kenyamanan bagi operator selama penggunaan dalam jangka waktu lama. Selalu berhati-hatilah saat mengunci mesin dalam posisi “ON”, dan pegang mesin kuat-kuat.

Untuk mencegah agar pelatuk sakelar tidak tertarik secara tidak sengaja, tersedia sebuah tuas pengunci. Untuk menyalakan mesin, tekan tuas kunci (arah A), kemudian tarik pelatuk sakelar (arah B). Lepaskan pelatuk sakelar untuk berhenti.

Untuk pengoperasian berkesinambungan, tekan tuas kunci (arah A), tarik pelatuk sakelar (arah B), kemudian tarik tuas kunci (arah C).

Untuk membuka posisi terkunci, tarik pelatuk sakelar (arah B) sepenuhnya, kemudian lepaskan.

PEMBERITAHUAN: Jangan menarik kuat-kuat pelatuk sakelar tanpa menekan tuas kunci. Hal ini bisa merusak sakelar.

Lampu indikator

► **Gbr.6:** 1. Lampu indikator

Lampu indikator akan menyala berwarna hijau saat steker mesin dimasukkan.

Jika lampu indikator tidak menyala, mungkin ada kerusakan pada kabel listrik atau pengendali.

Lampu indikasi menyala tetapi mesin tidak menyala bahkan ketika sakelar mesin ditekan, pengontrol atau sakelar mungkin rusak.

Jika lampu indikator berkedip merah, sikat karbon mungkin aus atau motor mungkin rusak.

Anti penyalaaan ulang yang tidak disengaja

Mesin tidak akan menyala jika sakelar terkunci bahkan jika mesin sudah dicolokkan.

Pada kondisi ini, lampu indikator akan berkedip merah untuk menunjukkan bahwa perangkat anti penyalaaan ulang yang tidak disengaja sedang berfungsi.

Untuk membatalkan penyalaaan ulang yang tidak disengaja, kembalikan sakelar ke posisi OFF.

CATATAN: Tunggu lebih dari satu detik sebelum menyalakan mesin kembali saat penyalaaan ulang yang tidak disengaja berfungsi.

Teknologi penginderaan Umpan Balik Aktif

PERHATIAN: Tahan mesin kuat-kuat hingga putaran berhenti.

Mesin secara elektronik mendeteksi situasi di mana roda atau aksesoris mungkin berisiko macet. Dalam situasi ini, mesin secara otomatis mematkan daya untuk mencegah perputaran spindel lebih jauh (ini tidak mencegah hentakan).

Pada kondisi ini, lampu indikator akan berkedip merah dan menunjukkan Teknologi penginderaan Umpan Balik Aktif sedang berfungsi.

Untuk menyalakan ulang mesin, matikan mesin terlebih dahulu, hilangkan penyebab jatuh tiba-tiba dalam kecepatan putaran, kemudian nyalakan mesin.

Fitur awal pengerjaan lembut

Fitur awal pengerjaan lembut mengurangi reaksi permulaan.

PERAKITAN

⚠️PERHATIAN: Pastikan bahwa mesin dalam keadaan mati dan steker tercabut sebelum melakukan pekerjaan apa pun pada mesin.

Memasang gagang sisi (pegangan)

⚠️PERHATIAN: Selalu pastikan bahwa gagang sisi terpasang dengan kuat sebelum penggunaan.

⚠️PERHATIAN: Anda dapat memasang gagang sisi pada 3 lubang. Pasang gagang sisi pada salah satu lubang sesuai dengan operasi.

Sekrup gagang sisi dengan kencang pada posisi mesin sebagaimana yang ditunjukkan pada gambar.

► **Gbr.7**

Memasang atau melepas pegangan loop

Pilihan Aksesori

⚠️PERHATIAN: Selalu pastikan baut pada pegangan loop telah dikencangkan dengan kuat sebelum digunakan.

⚠️PERHATIAN: Pegang area genggam pegangan loop yang ditentukan pada gambar. Jauhkan tangan dari bagian logam gerinda selama pengoperasian. Menyentuh bagian logam dapat menyebabkan tersengat listrik jika alat tambahan pemotong memotong kabel aktif secara tidak sengaja.

Pegangan loop dapat lebih nyaman daripada gagang sisi yang asli untuk beberapa penggunaan. Untuk memasang pegangan loop, pasang pada mesin seperti yang diilustrasikan dan kencangkan dua baut untuk mengencangkannya.

Untuk melepas pegangan loop, lakukan prosedur pemasangan dengan urutan terbalik.

► **Gbr.8:** 1. Pegangan loop 2. Baut 3. Area genggam

Pasang atau lepas pelindung roda (Untuk roda tengah gerinda, cakram flap, roda flex, sikat roda kawat / roda pemotong abrasif, roda intan)

⚠️PERINGATAN: Ketika menggunakan roda tengah gerinda, cakram flap, roda flex atau sikat roda kawat, pelindung roda harus cocok dengan mesin sehingga bagian sisi yang tertutup dari pelindung selalu mengarah pada operator.

⚠️PERINGATAN: Ketika menggunakan pemotong abrasif / roda intan, jangan gunakan selain pelindung roda khusus yang dirancang untuk digunakan bersama roda pemotong.

(Di beberapa negara Eropa, saat menggunakan roda berlian, pelindung yang umum dapat digunakan. Patuhi peraturan di negara Anda.)

Untuk mesin dengan pelindung roda dengan tipe sekrup pengunci

Pasang pelindung roda dengan posisi tonjolan ada di atas ikatan pelindung roda yang sejajar dengan cekungan-cekungan pada kotak penahan. Kemudian putar pelindung roda ke suatu sudut sehingga dapat melindungi operator sesuai dengan pekerjaan. Pastikan bahwa sekrup sudah dikencangkan hingga aman. Untuk melepas pelindung roda, lakukan prosedur pemasangan dalam urutan terbalik.

► **Gbr.9:** 1. Pelindung roda 2. Kotak penahan 3. Sekrup

Untuk mesin dengan pelindung roda dengan tipe tuas klem

Pilihan Aksesori

⚠️PERINGATAN: Pelindung roda harus dipasang pada mesin sedemikian rupa agar sisi pelindung yang tertutup selalu mengarah pada operator.

Longgarkan mur, kemudian tarik tuas sesuai arah panah.

► **Gbr.10:** 1. Mur 2. Tuas

Pasang pelindung roda dengan posisi tonjolan ada di atas ikatan pelindung roda yang sejajar dengan cekungan-cekungan pada kotak penahan. Kemudian putar pelindung roda ke suatu sudut sehingga dapat melindungi operator sesuai dengan pekerjaan.

► **Gbr.11:** 1. Pelindung roda 2. Kotak penahan

► **Gbr.12:** 1. Pelindung roda

Kencangkan mur dengan kuat menggunakan kunci pas, lalu tutup tuas sesuai arah panah untuk mengencangkan pelindung roda. Jika tuas terlalu kencang atau longgar untuk mengencangkan pelindung roda, buka tuas lalu kendurkan atau kencangkan mur menggunakan kunci pas untuk menyetel pengencangan pita pelindung roda.

► **Gbr.13:** 1. Mur 2. Tuas

Untuk melepas pelindung roda, lakukan prosedur pemasangan dalam urutan terbalik.

Memasang atau melepaskan roda tengah gerinda atau cakram flap

Pilihan Aksesori

⚠️PERINGATAN: Ketika menggunakan roda tengah gerinda, atau cakram flap pelindung roda harus cocok dengan mesin sehingga bagian sisi yang tertutup dari pelindung selalu mengarah pada operator.

⚠️PERHATIAN: Pastikan bahwa bagian pemasangan flensa dalam benar-benar cocok untuk diameter dalam pada roda tengah gerinda / cakram flap. Memasang flensa dalam di sisi yang salah dapat mengakibatkan getaran yang berbahaya.

Pasang flensa dalam pada spindel.

Pastikan agar bagian flensa dalam penyok cocok dengan bagian lurus pada bagian bawah spindel.

Pasang roda/cakram pada flensa bagian dalam dan kencangkan sekiranya dengan mur pengunci, dengan bagian tonjolannya menghadap ke bawah (menghadap roda).

- **Gbr.14:** 1. Mur pengunci 2. Roda tengah pengasah 3. Flensa dalam 4. Bagian pemasangan

Untuk mengencangkan mur kunci, tekan kunci poros dengan kuat agar spindel tidak berputar, kemudian gunakan kunci pas baut pengunci dan kencangkan kuat-kuat searah jarum jam.

- **Gbr.15:** 1. Kunci pas baut pengunci 2. Kunci poros

Untuk melepas roda, lakukan prosedur pemasangan dalam urutan terbalik.

Memasang atau melepas roda flex

Pilihan Aksesori

⚠PERINGATAN: Selalu gunakan pelindung dengan penahan jika roda flex dipasang pada mesin. Roda dapat pecah selama penggunaan, dan pelindung membantu mengurangi risiko cedera pada pengguna.

- **Gbr.16:** 1. Mur kunci 2. Roda flex 3. Bantal penyangga di belakang 4. Flensa dalam

Ikuti petunjuk untuk roda tengah gerinda, juga gunakan bantalan belakang di atas roda. Lihat urutan pemasangan pada halaman aksesori dalam buku petunjuk ini.

Memasang atau melepas Ezynut

Pilihan Aksesori

Hanya untuk mesin dengan ulir spindel M14.

Pasang flensa dalam, roda abrasif dan Ezynut pada spindel sehingga Logo Makita pada Ezynut menghadap ke luar.

- **Gbr.17:** 1. Ezynut 2. Roda abrasif 3. Flensa dalam 4. Spindel

Tekan kunci poros kuat-kuat dan kencangkan Ezynut dengan memutar roda abrasif searah jarum jam hingga tidak dapat diputar lagi.

- **Gbr.18:** 1. Kunci poros

Untuk mengendurkan Ezynut, putar cincin luar Ezynut berlawanan arah jarum jam.

CATATAN: Ezynut dapat dikendurkan dengan tangan selama tanda panah menunjuk ke takik. Jika tidak, kunci pas mur kunci harus digunakan untuk mengendurkannya. Masukkan satu pin dari kunci pas ke dalam lubang dan putar Ezynut berlawanan arah jarum jam.

- **Gbr.19:** 1. Tanda panah 2. Takik
► **Gbr.20**

Memasang atau melepas cakram abrasif

Pilihan Aksesori

- **Gbr.21:** 1. Mur kunci pengampelasan 2. Cakram abrasif 3. Bantalan karet

1. Pasang bantalan karet pada spindel.
2. Pasang cakram pada bantalan karet dan sekrup mur kunci pengampelasan pada spindel.
3. Tahan spindel dengan kunci poros lalu kencangkan mur kunci pengampelasan searah dengan jarum jam dengan kunci pas baut pengunci hingga aman.

Untuk melepas cakram, lakukan prosedur pemasangan dalam urutan terbalik.

CATATAN: Gunakan aksesori mesin ampelas yang ditentukan dalam panduan ini. Aksesori tersebut harus dibeli secara terpisah.

Operasi dengan roda pemotongan abrasif / roda intan

Pilihan Aksesori

⚠PERINGATAN: Ketika menggunakan pemotong abrasif / roda intan, jangan gunakan selain pelindung roda khusus yang dirancang untuk digunakan bersama roda pemotong.

(Di beberapa negara Eropa, saat menggunakan roda berlian, pelindung yang umum dapat digunakan. Patuhi peraturan di negara Anda.)

⚠PERINGATAN: JANGAN SEKALI-KALI menggunakan roda pemotongan untuk gerinda samping.

Pasang flensa dalam pada spindel.

Pasang roda / cakram gerinda pada flensa bagian dalam dan kencangkan sekiranya dengan mur pengunci ke spindel.

- **Gbr.22:** 1. Mur pengunci 2. Roda pemotongan abrasif / roda berlian 3. Flensa dalam 4. Pelindung roda untuk roda pemotongan abrasif / roda intan

Untuk Australia dan Selandia Baru

- **Gbr.23:** 1. Mur pengunci 2. Flensa luar 78 3. Roda pemotongan abrasif / roda berlian 4. Flensa dalam 78 5. Pelindung roda untuk roda pemotongan abrasif / roda intan

Memasang sikat kawat mangkuk

Pilihan Aksesori

⚠PERHATIAN: Jangan gunakan sikat yang rusak, atau yang tidak seimbang. Sikat yang rusak akan meningkatkan kemungkinan cedera akibat sentuhan dengan kawat sikat yang rusak.

- **Gbr.24:** 1. Sikat kawat mangkuk

Lepaskan semua aksesori pada spindel. Pasang sikat kawat mangkuk ke dalam spindel dan kencangkan dengan kunci pas.

Memasang sikat roda kawat

Pilihan Aksesori

⚠PERHATIAN: Jangan gunakan sikat roda kawat yang rusak, atau yang tidak seimbang. Sikat roda kawat yang rusak akan meningkatkan kemungkinan cedera akibat sentuhan dengan kawat yang rusak.

⚠PERHATIAN: SELALU gunakan pelindung dengan sikat roda kawat, sehingga diameter roda tetap sesuai dengan pelindung dalam. Roda dapat pecah selama penggunaan, dan pelindung membantu mengurangi risiko cedera pada pengguna.

► **Gbr.25:** 1. Sikat roda kawat

Lepaskan semua aksesoris pada spindel. Pasang sikat roda kawat ke dalam spindel dan kencangkan dengan kunci pas.

Memasang pelindung roda pengumpul debu

Pelindung roda pengumpul debu untuk gerinda

► **Gbr.26:** 1. Mur pengunci 2. Roda intan tipe mangkuk 3. Roda intan tipe mangkuk berbodi 4. Flensa dalam 5. Pelindung roda pengumpul debu 6. Kotak penahan

⚠PERINGATAN: Pelindung roda pengumpul debu untuk gerinda hanya digunakan untuk menggerinda beton datar dengan roda intan tipe mangkuk. Jangan menggunakannya dengan batu gerinda atau untuk tujuan apa pun selain yang disebutkan.

Pelindung roda pengumpul debu untuk pemotongan (untuk model GA9070 / GA9071)

► **Gbr.27**

CATATAN: Untuk informasi mengenai cara untuk memasang penutup pengumpul debu, baca buku panduan penutup pengumpul debu.

Menyambungkan pengisap debu

Pilihan Aksesori

⚠PERINGATAN: Jangan pernah memvakum partikel logam yang dihasilkan dari pengoperasian. Partikel logam yang dihasilkan dari pekerjaan tersebut sangat panas sehingga membakar debu dan saringan di bagian dalam pengisap debu.

Untuk menghindari lingkungan berdebu yang disebabkan oleh pemotongan tembok, gunakan pelindung roda pengumpul debu dan pengisap debu. Lihat petunjuk penggunaan yang disertakan pada pelindung roda pengumpul debu untuk memasang dan menggunakannya.

► **Gbr.28:** 1. Pelindung roda pengumpul debu untuk pemotongan 2. Selang pengisap debu

PENGUNAAN

⚠PERINGATAN: Tidak perlu sampai memaksa mesin. Bobot mesin sudah memberi tekanan yang cukup. Pemaksaan dan tekanan yang berlebihan dapat mengakibatkan kerusakan yang berbahaya pada roda.

⚠PERINGATAN: SELALU ganti rodanya jika kinerja mesin menurun pada saat menggerinda.

⚠PERINGATAN: JANGAN SEKALI-KALI membenturkan atau memukul cakram atau roda di tengah-tengah pengerjaan.

⚠PERINGATAN: Jangan memantulkan dan mendekatkan roda pada permukaan tajam, terutama ketika berkerja pada sudut, pinggir yang tajam, dll. Hal ini dapat menyebabkan hilangnya kontrol dan bantingan.

⚠PERINGATAN: JANGAN SEKALI-KALI menggunakan mesin dengan mata pisau pemotong kayu dan mata gergaji lainnya. Mata pisau semacam itu sering kali menghentak bila digunakan pada gerinda serta menyebabkan hilangnya kendali yang mengarah pada terjadinya cedera badan.

⚠PERHATIAN: Jangan sekali-kali menyalakan mesin saat menyentuh benda kerja, hal tersebut bisa menyebabkan luka pada operator.

⚠PERHATIAN: Selalu gunakan kaca mata pelindung atau pelindung muka selama pengoperasian.

⚠PERHATIAN: Setelah pengoperasian, selalu matikan mesin dan tunggu sampai mesin benar-benar berhenti sebelum meletakkan mesin kembali.

⚠PERHATIAN: SELALU pegang mesin menggunakan satu tangan pada bagian rumah dan tangan yang lain pada gagang sisi (pegangan) dengan kuat.

Operasi penggerindaan dan pengampelasan

► **Gbr.29**

Nyalakan mesin dan kemudian letakkan roda atau cakram di atas benda kerja.

Secara umum, pertahankan pinggiran roda atau cakram pada sudut sekitar 15° terhadap permukaan benda kerja.

Selama awal penggunaan roda baru, jangan menggerinda dengan arah ke depan sehingga benda kerja terpotong. Ketika pinggiran roda telah menjadi bulat karena terus digunakan, roda dapat bekerja dengan arah ke depan maupun ke belakang.

Operasi dengan roda pemotongan abrasif / roda intan

Pilihan Aksesori

⚠️PERINGATAN: Jangan membuat roda “macet” atau menekannya secara berlebihan. Jangan mencoba memotong terlalu dalam.

Memberikan tekanan berlebihan pada roda akan meningkatkan beban dan dapat menyebabkan roda berputar atau terjepit pada potongan dan terdapat kemungkinan terjadi hentakan balik, kerusakan roda dan panas yang berlebihan.

⚠️PERINGATAN: Jangan memulai pemotongan pada benda kerja. Biarkan roda mencapai kecepatan penuh dan perlahan masuk ke dalam pemotongan yang menggerakkan mesin ke depan di atas permukaan benda kerja. Roda mungkin saja macet, bergerak ke atas atau terjadi hentakan balik jika mesin listrik dinyalakan ulang pada benda kerja.

⚠️PERINGATAN: Selama operasi pemotongan, jangan ubah sudut roda. Memberikan tekanan samping pada roda pemotongan (seperti dalam proses gerinda) akan menyebabkan roda retak dan patah, sehingga pengguna mengalami cedera serius.

⚠️PERINGATAN: Roda berlian harus dioperasikan secara tegak lurus terhadap bahan yang akan dipotong.

Contoh penggunaan: operasi dengan roda pemotong abrasif

► Gbr.30

Contoh penggunaan: operasi dengan roda intan

► Gbr.31

Operasi dengan sikat kawat mangkuk

Pilihan Aksesori

⚠️PERHATIAN: Periksa kerja sikat dengan menjalankan mesin tanpa beban, untuk memastikan bahwa tidak ada benda di depan atau sejajar dengan sikat.

PEMBERITAHUAN: Jangan memberikan tekanan yang berlebihan saat menggunakan sikat kawat mangkuk karena dapat menyebabkan kawat tertekuk lebih dari yang semestinya. Akan terjadi patahan yang sebenarnya masih bisa dihindari.

Contoh penggunaan: operasi dengan sikat kawat mangkuk

► Gbr.32

Operasi dengan sikat roda kawat

Pilihan Aksesori

⚠️PERHATIAN: Periksa kerja sikat roda kawat dengan menjalankan mesin tanpa beban, untuk memastikan bahwa tidak ada benda di depan atau sejajar dengan sikat.

PEMBERITAHUAN: Jangan menekan terlalu keras ketika menggunakan sikat roda kawat, karena nanti terlalu banyak kawat yang tertekuk. Akan terjadi patahan yang sebenarnya masih bisa dihindari.

Contoh penggunaan: operasi dengan sikat roda kawat

► Gbr.33

PERAWATAN

⚠️PERHATIAN: Selalu pastikan bahwa mesin dimatikan dan steker dicabut sebelum melakukan pemeriksaan atau perawatan.

PEMBERITAHUAN: Jangan sekali-kali menggunakan bensin, tiner, alkohol, atau bahan sejenisnya. Penggunaan bahan demikian dapat menyebabkan perubahan warna, perubahan bentuk atau timbulnya retakan.

Untuk menjaga KEAMANAN dan KEANDALAN mesin, perbaikan, perawatan atau penyetulan lainnya harus dilakukan oleh Pusat Layanan Resmi atau Pabrik Makita; selalu gunakan suku cadang pengganti buatan Makita.

CATATAN: Jangan mengendurkan sekrup pada penutup. Jika tidak, penutup dapat terbuka secara tidak sengaja.

► Gbr.34: 1. Sekrup

Pembersihan ventilasi udara

Mesin dan ventilasi udara harus dijaga agar tetap bersih. Bersihkan ventilasi udara mesin secara teratur atau saat ventilasi mulai terganggu.

► Gbr.35: 1. Ventilasi pengeluaran 2. Ventilasi penyerapan

Perawatan rem

Mesin harus segera diperbaiki oleh Pusat Servis Pabrik atau Terotorisasi Makita dalam situasi atau kegagalan fungsi apa pun berikut ini;

- Kinerja rem tampak menurun.
- Putaran inersia aksesori secara terus berlanjut selama lebih dari 6 detik setelah melepaskan pelatuk sakelar.

AKSESORI PILIHAN

⚠️ PERHATIAN: Dianjurkan untuk menggunakan aksesoris atau perangkat tambahan ini dengan mesin Makita Anda yang ditentukan dalam petunjuk ini. Penggunaan aksesoris atau perangkat tambahan lain bisa menyebabkan risiko cedera pada manusia. Hanya gunakan aksesoris atau perangkat tambahan sesuai dengan peruntukannya.

Jika Anda memerlukan bantuan lebih rinci berkenaan dengan aksesoris ini, tanyakan pada Pusat Layanan Makita terdekat.

► Gbr.36

-	180 mm	230 mm
1	Gagang sisi/Pegangan loop	
2	Pelindung roda untuk roda gerinda tengah tertekan / cakram sayap / sikat roda kawat	
3	Flensa dalam *1	
4	Roda gerinda tengah tertekan / Cakram sayap	
5	Mur kunci/Ezynut *1	
6	Pelindung roda untuk roda pemotong abrasif/roda intan *2	
7	Flensa dalam 78 (hanya untuk Australia dan Selandia Baru) *3	
8	Roda pemotongan abrasif / Roda berlian	
9	Flensa luar 78 (hanya untuk Australia dan Selandia Baru) *3	
10	Bantal penyangga di belakang	
11	Roda flex	
12	Bantalan karet	
13	Cakram abrasif	
14	Mur kunci pengampelasan	
15	Sikat roda kawat	
16	Sikat kawat mangkuk	
17	-	Gagang sisi untuk pelindung roda pengumpul debu
18	-	Pelindung roda pengumpul debu untuk pemotongan
19	-	Flensa khusus *4
20	-	Roda intan
21	Pelindung roda pengumpul debu untuk roda intan ofset	
22	Roda intan ofset	
-	Kunci pas baut pengunci	
-	Perangkat tambahan pelindung anti-debu	

CATATAN: *1 Hanya untuk mesin dengan ulir spindel M14.

CATATAN: *2 Di beberapa negara Eropa, pada waktu menggunakan roda intan, pelindung biasa boleh digunakan sebagai ganti pelindung khusus yang menutupi kedua sisi roda. Patuhi peraturan di negara Anda.

CATATAN: *3 Gunakan Flensa dalam 78 dan Flensa luar 78 bersama-sama. (Hanya untuk Australia dan Selandia Baru)

CATATAN: *4 Flensa dalam untuk gerinda dilengkapi dengan fungsi pengereman ketika digunakan bersama dengan pelindung roda pengumpul debu.

CATATAN: Beberapa item dalam daftar tersebut mungkin sudah termasuk dalam paket mesin sebagai aksesoris standar. Hal tersebut dapat berbeda dari satu negara ke negara lainnya.

SPEKIFIKASI

Model:	GA7070	GA7071	GA9070	GA9071
Diameter roda	180mm		230mm	
Ketebalan roda maks.	7.2mm		6.5mm	
Ulir spindel	M14 atau 5/8" (khusus negara)			
Kelajuan terkadar (n)	8,500min ⁻¹		6,600min ⁻¹	
Panjang keseluruhan	506mm			
Pemegang suis	Jenis bar	Jenis D	Jenis bar	Jenis D
Berat bersih	6.1 - 6.6 kg	6.2 - 6.7 kg	6.3 - 8.5 kg	6.4 - 8.5 kg
Kelas keselamatan	□/II			

- Disebabkan program penyelidikan dan pembangunan kami yang berterusan, spesifikasi yang terkandung di dalam ini adalah tertakluk kepada perubahan tanpa notis.
- Spesifikasi mungkin berbeza mengikut negara.
- Berat mungkin berbeza bergantung kepada pemasangan. Kombinasi paling ringan dan paling berat, mengikut Prosedur EPTA 01/2014, ditunjukkan di dalam jadual.

Simbol

Berikut menunjukkan simbol-simbol yang boleh digunakan untuk alat ini. Pastikan anda memahami maksudnya sebelum menggunakan.



Baca manual arahan.



Pakai cermin mata keselamatan.



PENEBATAN BERGANDA



Hanya untuk negara-negara EU
Disebabkan kehadiran komponen berbahaya dalam peralatan, peralatan elektrik dan elektronik terpakai boleh memberi kesan negatif terhadap persekitaran dan kesihatan manusia. Jangan buang alat elektrik dan elektronik bersama dengan bahan buangan isi rumah!

Mengikut Arahan Eropah mengenai sisa peralatan elektrik dan elektronik dan penyesuaian dengan undang-undang negara, peralatan elektrik dan elektronik terpakai hendaklah dikumpulkan secara berasingan dan dihantar ke tempat pengumpulan berasingan untuk sisa perbandaran, beroperasi mengikut peraturan perlindungan persekitaran. Ini ditunjukkan oleh simbol tong sampah beroda yang bersilang pada peralatan.

Tujuan penggunaan

Alat ini bertujuan untuk pengisaran, pemasiran dan pemotongan bahan logam dan batu tanpa menggunakan air.

Bekalan kuasa

Alat ini perlu disambungkan hanya kepada bekalan kuasa dengan voltan yang sama seperti yang ditunjukkan pada papan nama, dan hanya boleh dikendalikan pada bekalan AC fasa tunggal. Ia mempunyai penebatan berganda dan oleh itu, ia juga boleh digunakan pada soket tanpa wayar bumi.

AMARAN KESELAMATAN

Amaran keselamatan umum alat kuasa

AMARAN: Baca semua amaran keselamatan, arahan, ilustrasi dan spesifikasi yang disediakan dengan alat kuasa ini. Kegagalan mengikut semua arahan yang disenaraikan di bawah boleh menyebabkan kejutan elektrik, kebakaran dan/atau kecederaan serius.

Simpan semua amaran dan arahan untuk rujukan masa depan.

Istilah "alat kuasa" dalam amaran merujuk kepada alat kuasa yang menggunakan tenaga elektrik (dengan kord) atau alat kuasa yang menggunakan bateri (tanpa kord).

Keselamatan kawasan kerja

1. **Pastikan kawasan kerja bersih dan diterangi dengan baik.** Kawasan berselerak atau gelap mengundang kemalangan.

2. **Jangan kendalikan alat kuasa dalam keadaan yang mudah meletup, seperti dalam kehadiran cecair, gas atau habuk yang mudah terbakar.** Alat kuasa menghasilkan percikan api yang boleh menyalakan debu atau wasap.
3. **Jauhkan kanak-kanak dan orang ramai semasa mengendalikan alat kuasa.** Gangguan boleh menyebabkan anda hilang kawalan.

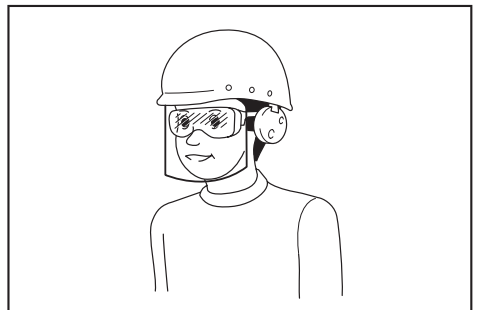
Keselamatan elektrik

1. **Palam alat kuasa mesti sepadan dengan soket. Jangan ubah suai palam dalam apa cara sekalipun. Jangan gunakan sebarang palam penyesuai dengan alat kuasa terbumi.** Palam yang tidak diubah suai dan soket yang sepadan akan mengurangkan risiko kejutan elektrik.
2. **Elakkan sentuhan badan dengan permukaan terbumi, seperti paip, radiator, dapur dan peti sejuk.** Terdapat peningkatan risiko kejutan elektrik jika elektrik terbumi terkena badan anda.
3. **Jangan biarkan alat kuasa terkena hujan atau basah.** Air yang memasuki alat kuasa akan meningkatkan risiko kejutan elektrik.
4. **Jangan salah gunakan kord. Jangan gunakan kord untuk membawa, menarik atau mencabut palam alat kuasa. Jauhkan kord dari haba, minyak, bucu tajam atau bahagian yang bergerak.** Kord yang rosak atau tersimpul meningkatkan risiko kejutan elektrik.
5. **Semasa mengendalikan alat kuasa di luar, gunakan kord sambungan yang bersesuaian untuk kegunaan luar.** Penggunaan kord yang sesuai untuk kegunaan luar mengurangkan risiko kejutan elektrik.
6. **Sekiranya pengendalian alat kuasa di lokasi lembap tidak dapat dielakkan, gunakan bekalan peranti arus sisa (RCD) yang dilindungi.** Penggunaan RCD mengurangkan risiko kejutan elektrik.
7. **Penggunaan bekalan kuasa melalui RCD dengan arus sisa yang bernilai 30 mA atau kurang sentiasa disyorkan.**
8. **Alat kuasa boleh menghasilkan medan elektromagnetik (EMF) yang tidak berbahaya kepada pengguna.** Walau bagaimanapun, pengguna perentak jantung atau peranti perubatan yang serupa harus menghubungi pembuat peranti mereka dan/atau doktor untuk nasihat sebelum mengendalikan alat kuasa ini.
9. **Jangan sentuh palam kuasa dengan tangan yang basah.**
10. **Jika kord rosak, minta ia diganti oleh pengilang atau ejennya bagi mengelakkan bahaya keselamatan.**

Keselamatan diri

1. **Sentiasa berwaspada, perhatikan apa yang anda lakukan dan guna akal budi semasa mengendalikan alat kuasa. Jangan gunakan alat kuasa semasa anda letih atau di bawah pengaruh dadah, alkohol atau ubat.** Kelekaan seketika semasa mengendalikan alat kuasa boleh menyebabkan kecederaan diri yang serius.

2. **Gunakan peralatan pelindung diri. Sentiasa pakai pelindung mata.** Peralatan pelindung seperti topeng debu, kasut keselamatan tak mudah tergelincir, topi keselamatan atau pelindung pendengaran yang digunakan untuk keadaan yang sesuai akan mengurangkan kecederaan diri.
3. **Elakkan permulaan yang tidak disengajakan. Pastikan suis ditutup sebelum menyambungkan kepada sumber kuasa dan/atau pek bateri, semasa mengangkat atau membawa alat.** Membawa alat kuasa dengan jari anda pada suis atau mentenagakan alat kuasa dengan suis pada kedudukan hidup mengundang kemalangan.
4. **Alihkan sebarang kunci atau sepana pelaras sebelum menghidupkan alat kuasa.** Sepana atau kunci yang ditinggalkan pada bahagian berputar alat kuasa boleh menyebabkan kecederaan diri.
5. **Jangan lampau jangka. Jaga pijakan dan keseimbangan yang betul pada setiap masa.** Ini membolehkan kawalan alat kuasa yang lebih baik dalam situasi yang tidak dijangka.
6. **Berpakaian dengan betul. Jangan pakai pakaian yang longgar atau barang kemas. Jauhkan rambut dan pakaian anda dari bahagian yang bergerak.** Pakaian longgar, barang kemas atau rambut yang panjang boleh terperangkap dalam bahagian yang bergerak.
7. **Jika peranti disediakan untuk sambungan kemudahan pengekstrakan dan pengumpulan habuk, pastikan ia disambung dan digunakan dengan betul.** Penggunaan pengumpulan habuk boleh mengurangkan bahaya berkaitan habuk.
8. **Jangan biarkan kebiasaan daripada kekerapan penggunaan alat membuat anda berpuas hati dan mengabaikan prinsip keselamatan alat.** Kecuaian boleh menyebabkan kecederaan serius dalam sekelip mata.
9. **Sentiasa pakai kaca mata pelindung untuk melindungi mata anda daripada kecederaan apabila menggunakan alat kuasa. Kaca mata mestilah mematuhi ANSI Z87.1 di AS, EN 166 di Eropah, atau AS/NZS 1336 di Australia/ New Zealand. Di Australia/New Zealand, undang-undang mengarahkan untuk memakai pelindung muka bagi melindungi muka anda, juga.**



Menjadi tanggungjawab majikan untuk menguatkuasa penggunaan peralatan perlindungan keselamatan yang bersesuaian oleh pengendali alat dan oleh orang lain dalam kawasan bekerja semasa.

Penggunaan dan penjagaan alat kuasa

1. **Jangan gunakan alat kuasa dengan kasar. Gunakan alat kuasa yang betul untuk penggunaan anda.** Alat kuasa yang betul akan melakukan tugas dengan lebih baik dan lebih selamat pada kadar mana ia direka cipta.
2. **Jangan gunakan alat kuasa jika suis tidak berfungsi untuk menghidupkan dan mematikkannya.** Alat kuasa yang tidak dapat dikawal dengan suis adalah berbahaya dan mesti dibaiki.
3. **Cabut palam dari sumber kuasa dan/atau keluarkan pek bateri, jika boleh ditanggalkan, dari alat kuasa sebelum membuat sebarang pelarasan, menukar aksesori, atau menyimpan alat kuasa.** Langkah-langkah keselamatan pencegahan sedemikian mengurangkan risiko memulakan alat kuasa secara tidak sengaja.
4. **Simpan alat kuasa yang tidak digunakan jauh dari jangkauan kanak-kanak dan jangan biarkan orang yang tidak biasa dengan alat kuasa atau arahan ini untuk mengendalikan alat kuasa.** Alat kuasa adalah berbahaya di tangan pengguna yang tidak terlatih.
5. **Menyelenggara alat kuasa dan aksesori. Periksa salah jajaran atau ikatan pada bahagian yang bergerak, bahagian yang pecah dan apa-apa keadaan lain yang boleh menjejaskan operasi alat kuasa. Jika rosak,baiki alat kuasa sebelum digunakan.** Kebanyakan kemalangan adalah disebabkan oleh alat kuasa yang tidak dijaga dengan baik.
6. **Pastikan alat pemotong tajam dan bersih.** Alat pemotong yang dijaga dengan betul dengan hujung pemotong yang tajam mempunyai kemungkinan yang rendah untuk terikat dan lebih mudah dikendalikan.
7. **Gunakan alat kuasa, aksesori dan alat bit dan sebagainya mengikut arahan ini dengan mengambil kira keadaan kerja dan kerja yang perlu dilakukan.** Penggunaan alat kuasa untuk operasi yang berbeza dari yang dimaksudkan boleh menyebabkan keadaan berbahaya.
8. **Pastikan pemegang dan permukaan pegangan kering, bersih dan bebas dari minyak dan gris.** Pemegang dan permukaan pegangan yang licin tidak membolehkan pengendalian dan kawalan selamat bagi alat dalam situasi yang tidak dijangka.
9. **Apabila menggunakan alat, jangan pakai sarung tangan kerja kain yang mungkin boleh kusut.** Kekusutan sarung tangan kerja kain pada bahagian yang bergerak boleh menyebabkan kecederaan diri.

Servis

1. **Pastikan alat kuasa anda diservis oleh orang yang berkelayakan dengan hanya menggunakan alat ganti yang sama.** Ini akan memastikan keselamatan alat kuasa dapat dikekalkan.
2. **Ikut arahan untuk melincir dan menukar aksesori.**

Amaran keselamatan pengisar

Amaran Keselamatan Umum untuk Operasi Pengisar, Pemasiran, Pemberusan Wayar atau Pemotongan Lelas:

1. **Alat kuasa ini bertujuan untuk berfungsi sebagai alat pengisar, pemasis, berus wayar atau pemotongan. Baca semua amaran keselamatan, arahan, ilustrasi dan spesifikasi yang disediakan dengan alat kuasa ini.** Kegagalan mengikuti semua arahan yang disenaraikan di bawah boleh menyebabkan kejutan elektrik, kebakaran dan/atau kecederaan serius.
2. **Operasi seperti penggilapan tidak disyorkan untuk dilakukan dengan alat kuasa ini.** Operasi yang tidak direka bentuk untuk alat kuasa ini boleh menyebabkan bahaya dan kecederaan diri.
3. **Jangan gunakan aksesori yang tidak direka secara khusus dan disyorkan oleh pengilang alat.** Hanya kerana aksesori boleh dipasang pada alat kuasa anda, itu tidak menjamin operasi yang selamat.
4. **Kelajuan kadaran aksesori mesti sekurang-kurangnya sama seperti kelajuan maksimum yang ditandakan pada alat kuasa.** Aksesori yang beroperasi lebih laju daripada kelajuan kadarannya boleh pecah dan berkecai.
5. **Diameter luar dan ketebalan aksesori anda mesti dalam perbandingan kapasiti alat kuasa anda.** Aksesori dengan saiz yang tidak betul tidak boleh dijaga atau dikawal dengan secukupnya.
6. **Pelekapan berulir aksesori mesti sepadan dengan ulir spindel pengisar. Untuk aksesori yang dilekapkan dengan bebibir, lubang arbor aksesori mesti sesuai dengan diameter penempat bebibir.** Aksesori yang tidak sepadan dengan perkakasan pelekapan alat kuasa akan tidak seimbang, bergetar secara berlebihan dan boleh menyebabkan hilang kawalan.
7. **Jangan gunakan aksesori yang rosak. Sebelum setiap penggunaan, periksa aksesori seperti roda las untuk mengesan serpihan dan retakan, pad penyokong untuk mengesan retakan, haus dan lusuh berlebihan, berus wayar untuk mengesan wayar yang longgar atau pecah. Jika alat kuasa atau aksesori terjatuh, periksa untuk mengesan kerosakan atau pasang aksesori yang tidak rosak. Setelah pemeriksaan dan pemasangan aksesori, jauhkan diri anda dan orang ramai daripada satah aksesori yang berputar dan jalankan alat kuasa pada kelajuan tanpa beban maksimum selama seminit.** Aksesori yang rosak biasanya akan pecah berderai sepanjang tempoh ujian ini.

8. **Pakai peralatan pelindung diri. Bergantung kepada penggunaan, gunakan pelindung muka, gogal keselamatan atau cermin mata keselamatan. Sebagaimana yang sesuai, pakai topeng habuk, pelindung pendengaran, sarung tangan dan apron bengel yang mampu menghalang serpihan pelepas atau bahan kerja yang kecil.** Pengadang mata mesti mampu menghalang serpihan yang terbang yang dihasilkan oleh pelbagai operasi. Topeng habuk atau alat pernafasan mesti mampu menapis zarah yang dihasilkan oleh operasi anda. Pendedahan yang berlanjutan kepada hingar dengan keamatan yang tinggi boleh menyebabkan hilang pendengaran.
9. **Pastikan orang ramai berada pada jarak yang selamat dari kawasan kerja. Sesiapa sahaja yang memasuki kawasan kerja mesti memakai peralatan pelindung diri.** Serpihan bahan kerja atau aksesori yang pecah mungkin berterbangan dan menyebabkan kecederaan di luar kawasan operasi terdekat.
10. **Pegang alat kuasa pada permukaan mencengkam terbebas sahaja, apabila melakukan operasi yang aksesori pemotong boleh tersentuh wayar tersembunyi atau kordnya sendiri.** Aksesori pemotong yang bersentuhan dengan wayar "hidup" boleh menyebabkan bahagian logam terdedah alat kuasa menjadi "hidup" dan boleh memberi kejutan elektrik kepada pengendali.
11. **Jauhkan kord daripada aksesori yang berputar.** Jika anda hilang kawalan, kord boleh terpotong atau tersangkut dan tangan atau lengan anda boleh tertarik ke dalam aksesori yang berputar.
12. **Jangan sekali-kali meletakkan alat kuasa ke bawah sehingga aksesori telah berhenti sepenuhnya.** Aksesori yang berputar boleh menyambar permukaan dan menarik alat kuasa daripada kawalan anda.
13. **Jangan jalankan alat kuasa ketika membawanya di sisi anda.** Sentuhan secara tidak sengaja dengan aksesori yang berputar boleh menyebabkan pakaian anda tersangkut dan menarik aksesori ke badan anda.
14. **Bersihkan dengan kerap bolong udara alat kuasa.** Kipas motor akan mengeluarkan habuk di dalam perumah dan pengumpulan logam serbuk yang berlebihan boleh menyebabkan bahaya elektrik.
15. **Jangan kendalikan alat kuasa berhampiran bahan mudah terbakar.** Percikan boleh menyalakan bahan ini.
16. **Jangan gunakan aksesori yang memerlukan bahan pendingin cecair.** Penggunaan air atau bahan pendingin cecair yang lain boleh menyebabkan renjatan elektrik.

Tolak keluar dan Amaran Berkaitan

Tolak keluar ialah tindak balas tersepit tiba-tiba kepada roda berputar, pad penyokong, berus atau aksesori yang lain. Tersepit atau tersangkut menyebabkan kelajuan pegun dengan cepat pada aksesori putaran yang menyebabkan alat kuasa tidak dapat dikawal dipaksa ke arah bertentangan dengan putaran aksesori pada titik pengikat.

Sebagai contoh, jika roda pelepas tersangkut atau tersepit pada bahan kerja, bahagian tepi roda yang memasuki titik sepihan boleh menekan dalam permukaan bahan menyebabkan roda termaik atau terkeluar. Roda mungkin sama ada melantun ke arah atau jauh daripada pengendali, bergantung kepada arah pergerakan roda ketika aksesori tersepit. Roda pelepas mungkin juga pecah di bawah keadaan ini. Tolak keluar adalah akibat daripada penyalahgunaan alat kuasa dan/atau prosedur atau keadaan operasi yang tidak betul dan boleh dielakkan dengan mengambil langkah berjaga-jaga yang betul seperti yang diberikan di bawah.

1. **Kekalkan genggaman yang kukuh pada alat kuasa dan pastikan kedudukan badan dan lengan anda membolehkan anda menahan daya tolak keluar. Sentiasa gunakan pemegang tambahan, jika disediakan, untuk kawalan maksimum terhadap tolak keluar atau tindak balas tork semasa permulaan.** Pengendali boleh mengawal tindak balas tork atau daya tolak keluar, jika langkah berjaga-jaga yang betul diambil.
2. **Jangan sekali-kali meletakkan tangan anda dekat dengan aksesori yang berputar.** Aksesori mungkin ditolak keluar ke atas tangan anda.
3. **Jangan letakkan badan anda di kawasan di mana alat kuasa akan bergerak jika keadaan sedikit berlaku.** Tolak keluar akan mendorong alat ke arah bertentangan kepada pergerakan roda ketika aksesori tersangkut.
4. **Menggunakan dengan lebih berhati-hati apabila bekerja di sudut, pinggir yang tajam dan sebagainya. Elakkan aksesori daripada melantun dan tersangkut.** Sudut, pinggir yang tajam atau melantun mempunyai kecenderungan untuk menyebabkan aksesori berputar tersangkut dan menyebabkan hilang kawalan atau tolak keluar.
5. **Jangan pasang bilah ukiran kayu gergaji rantai atau bilah gergaji bergigi.** Bilah seperti ini akan kerap menghasilkan tolak keluar dan hilang kawalan.

Amaran Keselamatan Khusus untuk Operasi Pengisar dan Pemotongan Lelas:

1. **Menggunakan hanya jenis roda yang disyorkan untuk alat kuasa anda dan pengadang yang direka khusus untuk roda yang dipilih.** Roda yang tidak direka untuk alat kuasa tidak dapat dikawal secukupnya dan tidak selamat.
2. **Perngangan pengisar roda tengah lekuk mesti dilekapkan di bawah satah bibir pengadang.** Roda yang tidak dilekapkan dengan betul yang mengunjur melalui satah bibir pengadang tidak dapat dilindungi secukupnya.
3. **Pengadang mesti dipasang dengan kukuh pada alat kuasa dan diletakkan untuk keselamatan maksimum, supaya sedikit sahaja roda terdedah ke arah pengendali.** Pengadang membantu melindungi pengendali daripada serpihan roda yang pecah, tersentuh secara tidak sengaja dengan roda dan percikan yang boleh membakar pakaian.

4. **Roda mesti digunakan hanya untuk penggunaan yang disyorkan. Contohnya, jangan kisar dengan sisi roda pemotongan.**
Roda pemotongan pelepas bertujuan untuk pengisaran persisian dan daya sisi yang dikenakan kepada roda ini mungkin menyebabkannya pecah.
5. **Sentiasa menggunakan bebibir roda yang tidak rosak yang mempunyai saiz dan bentuk yang betul untuk roda yang anda pilih.** Bebibir roda yang betul menyokong roda dan dapat mengurangkan kemungkinan roda akan pecah. Bebibir untuk roda pemotongan mungkin berbeza daripada bebibir roda pengisaran.
6. **Jangan pakai roda dipakai daripada alat kuasa yang lebih besar.** Roda yang bertujuan untuk alat kuasa yang lebih besar tidak sesuai untuk kelajuan lebih tinggi alat yang lebih kecil dan mungkin meletup.

Amaran Keselamatan Khusus untuk Operasi Pemotongan Lelas:

1. **Jangan biarkan roda potong “tersekat” atau mengenakan tekanan berlebihan. Jangan cuba membuat kedalaman potongan yang berlebihan.** Menganakan tekanan yang berlebihan kepada roda akan meningkatkan beban dan kecenderungan untuk berputar atau terkapat roda dalam potongan dan kemungkinan tolak keluar atau roda pecah.
2. **Jangan letakkan badan anda selari dengan dan di belakang roda berputar.** Apabila rosak, ketika beroperasi, bergerak jauh dari badan anda, kemungkinan tolak keluar boleh mendorong roda berputar dan alat kuasa ke arah anda.
3. **Apabila roda tersangkut atau apabila gangguan pemotongan berlaku atas apa jua sebab, matikan alat kuasa dan pegang alat kuasa tidak bergerak sehingga roda berhenti sepenuhnya. Jangan sekali-kali cuba menanggalkan roda pemotongan daripada potongan ketika roda sedang bergerak, jika tidak tolak keluar mungkin berlaku.** Siasat dan ambil tindakan pembetulan untuk menyingkirkan sebab roda tersangkut.
4. **Jangan mulakan semula operasi pemotongan dalam bahan kerja. Biarkan roda mencapai kelajuan penuh dan masukkan semula roda ke dalam potongan dengan berhati-hati.** Roda boleh mengikat, berjalan atau tolak keluar jika alat kuasa dimulakan semula di dalam bahan kerja.
5. **Menyokong panel atau sebarang bahan kerja yang terlalu besar untuk meminumkan risiko roda tersepit atau tolak keluar.** Bahan kerja yang besar mudah melendut di bawah beratnya sendiri. Penyokong mesti diletakkan di bawah bahan kerja berhampiran garisan potongan dan berhampiran pinggir bahan kerja pada kedua-dua belah roda.
6. **Menggunakan langkah yang lebih berhati-hati apabila membuat “potongan poket” ke dalam dinding sedia ada atau kawasan terlindung yang lain.** Roda yang menonjol mungkin memotong paip gas atau air, pendawaian elektrik atau objek yang boleh menyebabkan tolak keluar.

Amaran Keselamatan Khusus untuk Operasi Pemasiran:

1. **Jangan gunakan kertas cakera pemasiran yang terlalu besar secara berlebihan. Ikut pengesyoran pengilang, apabila memilih kertas pemasiran.** Kertas pemasiran lebih besar yang terkeluar daripada pad pemasiran akan mewujudkan bahaya meletup dan mungkin menyebabkan tersangkut dan mengoyakkan cakera atau tolak keluar.

Amaran Keselamatan Khusus untuk Operasi Pemberusan Wayar:

1. **Sila ambil perhatian bahawa bulu wayar dibuang keluar oleh berus walaupun ketika operasi biasa. Jangan beri tekanan berlebihan kepada wayar dengan mengenakan beban berlebihan kepada berus.** Bulu wayar mudah menembusi pakaian yang nipis dan/atau kulit.
2. **Jika penggunaan pengadang disyorkan untuk berus wayar, jangan biarkan pengadang tersebut mengganggu roda atau berus wayar.** Diameter roda atau berus wayar mungkin bertambah disebabkan beban kerja dan daya emparan.

Amaran Keselamatan Tambahan:

1. **Apabila menggunakan roda pengisaran tengah lekuk, pastikan untuk menggunakan hanya roda yang diperkukuh gentian kaca.**
2. **JANGAN SEKALI-KALI MENGGUNAKAN roda jenis Cawan Batu dengan pengisar ini.** Pengisar tidak direka untuk jenis roda ini dan penggunaan produk yang sedemikian boleh mengakibatkan kecederaan diri yang serius.
3. **Berhati-hati agar tidak merosakkan spindel, bebibir (terutamanya permukaan pemasangan) atau nat kunci.** Kerosakan kepada bahagian ini boleh mengakibatkan roda pecah.
4. **Pastikan roda tidak menyentuh bahan kerja sebelum suis dihidupkan.**
5. **Sebelum menggunakan alat pada bahan kerja sebenar, biarkan ia beroperasi seketika.** Perhatikan getaran atau gangguan yang boleh menunjukkan pemasangan yang lemah atau roda yang sangat tidak seimbang.
6. **Gunakan permukaan roda tertentu untuk melakukan pengisaran.**
7. **Jangan tinggalkan alat yang sedang berjalan.** Kendalikan alat hanya apabila dipegang.
8. **Jangan sentuh bahan kerja dengan serta-merta selepas operasi; ia mungkin sangat panas dan boleh melecurkan kulit anda.**
9. **Jangan sentuh aksesori dengan serta-merta selepas operasi; ia mungkin sangat panas dan boleh melecurkan kulit anda.**
10. **Patuhi arahan pengilang untuk pelekapan dan penggunaan roda yang betul.** Kendalikan dan simpan roda dengan cermat.
11. **Jangan gunakan sesendal atau penyesuai pengurang yang berasingan untuk menyesuaikan roda lelas lubang besar.**
12. **Gunakan hanya bebibir yang khusus untuk alat ini.**

13. Untuk alat yang bertujuan untuk dipasang dengan roda lubang berulir, pastikan bahawa ulir dalam roda cukup panjang untuk menerima panjang spindel.
14. Pastikan bahawa bahan kerja disokong dengan betul.
15. Ambil perhatian bahawa roda akan terus berputar selepas alat dimatikan.
16. Jika tempat kerja sangat panas dan lembap atau sangat tercemar oleh habuk berkonduksi, gunakan pemutus litar pintas (30 mA) untuk memastikan keselamatan pengendali.
17. Jangan gunakan alat pada mana-mana bahan yang mengandungi asbestos.
18. Apabila menggunakan roda pemotongan, sentiasa bekerja dengan pengadang roda pengumpul habuk yang diperlukan oleh peraturan domestik.
19. Cakera pemotong tidak boleh dikenakan sebarang tekanan sisi.
20. Jangan guna sarung tangan kerja jenis kain semasa operasi. Fiber daripada sarung tangan jenis kain mungkin termasuk ke dalam alat, yang menyebabkan alat pecah.
21. Pastikan tiada kabel elektrik, paip air, paip gas dan sebagainya yang boleh menyebabkan bahaya jika rosak dengan menggunakan alat ini.

SIMPAN ARAHAN INI.

⚠️ AMARAN: JANGAN biarkan keselesaan atau kebiasaan dengan produk (daripada penggunaan berulang) menggantikan pematuhan ketat terhadap peraturan keselamatan untuk produk yang ditetapkan. SALAH GUNA atau kegagalan mematuhi peraturan-peraturan keselamatan yang dinyatakan dalam manual arahan ini boleh menyebabkan kecederaan diri yang serius.

KETERANGAN FUNGSI

⚠️ PERHATIAN: Sentiasa pastikan alat dimatikan dan dicabut sebelum menyelaras atau menyemak fungsi pada alat.

⚠️ PERHATIAN: Kembalikan pemacu suis kepada kedudukan "OFF" sekiranya mencabut pemalam tanpa sengaja, ketiadaan elektrik atau kuasa terputus tanpa sengaja. Sebaliknya, alat mungkin bermula secara tiba-tiba apabila kuasa kembali dan ia boleh menyebabkan kecederaan diri.

Kunci aci

Tekan kunci aci untuk mengelakkan putaran spindel apabila memasang atau menanggalkan aksesori.

▶ **Rajah1:** 1. Kunci aci

NOTIS: Jangan sekali-kali menggerakkan kunci aci ketika spindel bergerak. Alat mungkin rosak.

Tukar kedudukan pemasangan pemegang

⚠️ PERHATIAN: Sentiasa pastikan pemegang suis dikunci dalam kedudukan yang dikehendaki sebelum operasi.

Pemegang suis boleh diputar sama ada 90° ke kiri atau kanan untuk disesuaikan dengan keperluan kerja anda. Pertama, cabut palam alat. Tekan butang kunci dan putarkan pemegang suis ke kiri atau kanan sepenuhnya. Pemegang suis akan dikunci pada kedudukan tersebut.

GA7070, GA9070

▶ **Rajah2:** 1. Perumah motor 2. Butang kunci 3. Pemegang

GA7071, GA9071

▶ **Rajah3:** 1. Perumah motor 2. Butang kunci 3. Pemegang

Tindakan suis

⚠️ PERHATIAN: Sebelum memasang alat, sentiasa periksa untuk melihat pemacu suis bergerak dengan betul dan kembali ke posisi "OFF" apabila dilepaskan.

Terdapat tiga corak tindakan suis bergantung pada negara.

GA7070, GA9070

▶ **Rajah4:** 1. Pemacu suis 2. Tuil kunci

GA7071, GA9071

▶ **Rajah5:** 1. Pemacu suis 2. Tuil kunci

Untuk alat dengan suis kunci

Khusus negara

⚠️ PERHATIAN: Suis boleh dikunci dalam kedudukan "ON" untuk memudahkan keselesaan pengendali semasa penggunaan berpanjangan. Berhati-hati semasa mengunci alat dalam kedudukan "ON" dan kekalkan genggamannya yang kukuh pada alat.

Untuk memulakan alat, hanya tarik pemacu suis (dalam arah B). Lepaskan pemacu suis untuk berhenti.

Untuk operasi berterusan, tarik pemacu suis (dalam arah B) dan kemudian tolak masuk butang kunci (dalam arah A).

Untuk menghentikan alat dari kedudukan terkunci, tarik pemacu suis sepenuhnya (dalam arah B), kemudian lepaskan.

Untuk alat dengan suis buka kunci

Khusus negara

Untuk mengelakkan pemacu suis daripada ditarik secara tidak sengaja, tuil kunci disediakan.

Untuk memulakan alat, tolak masuk tuil kunci (dalam arah A) dan tarik pemacu suis (dalam arah B). Lepaskan pemacu suis untuk berhenti.

NOTIS: Jangan tarik pemacu suis dengan kuat tanpa menekan tuil kunci. Ini boleh menyebabkan suis rosak.

Untuk alat dengan suis kunci dan buka kunci

Khusus negara

PERHATIAN: Suis boleh dikunci dalam kedudukan "ON" untuk memudahkan keselesaan pengendalian semasa penggunaan berpanjangan. Berhati-hati semasa mengunci alat dalam kedudukan "ON" dan kekalkan genggaman yang kukuh pada alat.

Untuk mengelakkan pemacu suis daripada ditarik secara tidak sengaja, tuil kunci disediakan.

Untuk memulakan alat, tolak masuk tuil kunci (dalam arah A) dan tarik pemacu suis (dalam arah B). Lepaskan pemacu suis untuk berhenti.

Untuk operasi berterusan, tolak masuk tuil kunci (dalam arah A) dan kemudian tarik pemacu suis (dalam arah B) dan kemudian tarik tuil kunci (dalam arah C).

Untuk menghentikan alat dari kedudukan terkunci, tarik pemacu suis sepenuhnya (dalam arah B), kemudian lepaskan.

NOTIS: Jangan tarik pemacu suis dengan kuat tanpa menekan tuil kunci. Ini boleh menyebabkan suis rosak.

Lampu penunjuk

► **Rajah6:** 1. Lampu penunjuk

Lampu penunjuk menyala hijau apabila alat dipasang. Jika lampu penunjuk tidak menyala, kord utama atau pengawal mungkin rosak.

Apabila lampu penunjuk menyala tetapi alat tidak bermula walaupun alat dihidupkan, pengawal atau suis mungkin rosak.

Jika lampu penunjuk berkelip merah, berus karbon mungkin telah haus atau motor mungkin rosak.

Bukti mulakan semula yang tidak disengajakan

Alat tidak bermula dengan suis sedang dikunci walaupun alat dipasang.

Pada masa ini, lampu penunjuk berkelip merah untuk menunjukkan bukti mulakan semula yang tidak disengajakan peranti berfungsi.

Untuk membatalkan bukti mulakan semula yang tidak disengajakan, kembalikan suis kepada kedudukan "OFF".

NOTA: Tunggu lebih dari satu saat sebelum memulakan semula alat apabila bukti mulakan semula yang tidak disengajakan berfungsi.

Teknologi penderiaan Maklum Balas Aktif

PERHATIAN: Pegang alat dengan kukuh sehingga putaran berhenti.

Alat secara elektronik mengesan situasi di mana roda atau aksesori mungkin berdepan risiko dikekang.

Dalam situasi sebegini, alat secara automatik mematikan kuasa bagi mencegah putaran spindel selanjutnya (ini tidak mencegah tolak keluar).

Pada masa ini, lampu penunjuk berkelip merah untuk menunjukkan Teknologi penderiaan Maklum Balas Aktif berfungsi.

Untuk mula semula alat, matikan suis alat dahulu, keluarkan punca kejatuhan mengejut dalam kelajuan putaran, kemudian hidupkan alat.

Ciri mula ringan

Pemulaan yang perlahan mengurangkan tindak balas mula.

PEMASANGAN

PERHATIAN: Sentiasa pastikan alat dimatikan dan palamnya dicabut sebelum menjalankan apa-apa kerja pada alat.

Memasang genggaman sisi (pemegang)

PERHATIAN: Sentiasa pastikan genggaman sisi dipasang dengan kukuh sebelum operasi.

PERHATIAN: Anda boleh memasang genggaman sisi pada 3 lubang. Pasang genggaman sisi pada salah satu lubang mengikut operasi.

Skrus genggaman sisi dengan kukuh pada kedudukan alat seperti yang ditunjukkan dalam rajah.

► **Rajah7**

Memasang atau menanggalkan pemegang gelung

Aksesori pilihan

PERHATIAN: Sentiasa pastikan bolt pada pemegang gelung diketatkan dengan kukuh sebelum penggunaan.

PERHATIAN: Pegang kawasan genggaman pemegang gelung yang dinyatakan dalam rajah. Pastikan juga tangan berada jauh dari bahagian logam pengisar semasa operasi. Menyentuh bahagian logam boleh menyebabkan kejutan elektrik, jika lampiran pematongan memotong wayar hidup secara tidak dijangka.

Pemegang gelung boleh menjadi lebih selesa berbanding genggam sisi asal bagi sesetengah aplikasi. Untuk memasang pemegang gelung, lepapkan ia pada alatan seperti yang digambarkan dan ketatkan dua bolt untuk menetakannya.

Untuk menanggalkan pemegang gelung, ikut prosedur pemasangan secara terbalik.

► **Rajah8:** 1. Pemegang gelung 2. Bolt 3. Kawasan genggam

Memasang atau menanggalkan pengadang roda (Untuk roda tengah lekuk, cakera rata, roda fleksibel, berus roda wayar/ roda pemotongan lelas, roda intan)

⚠AMARAN: Apabila menggunakan roda tengah lekuk, cakera flap, roda fleksibel atau berus roda wayar, pengadang roda mesti dipasang pada alat itu supaya bahagian tertutup pengadang sentiasa menunjuk ke arah pengendali.

⚠AMARAN: Apabila menggunakan roda intan / pemotong lelas, pastikan anda menggunakan hanya pengadang roda khas yang direka untuk kegunaan dengan roda pemotong.

(Di sesetengah negara Eropah, apabila menggunakan roda intan, pengadang biasa boleh digunakan. Ikut peraturan di negara anda.)

Untuk alat dengan pengadang roda jenis skru mengunci

Lepapkan pengadang roda dengan tonjolan pada jalur pengadang roda diwajibkan dengan takuk pada kotak gelas. Kemudian putarkan pengadang roda kepada sudut tertentu sehingga ia boleh melindungi pengendali mengikut kerja. Pastikan anda mengetatkan skru dengan kemas.

Untuk menanggalkan pengadang roda, ikut prosedur pemasangan secara terbalik.

► **Rajah9:** 1. Pelindung roda 2. Kotak gelas 3. Skru

Untuk alat dengan pengadang roda jenis tuil pengapit

Aksesori pilihan

⚠AMARAN: Pengadang roda mesti dipasang pada alat itu supaya sisi tertutup pelindung sentiasa menunjuk ke arah operator.

Longgarkan nat, dan kemudian tarik tuil ke arah anak panah.

► **Rajah10:** 1. Nat 2. Tuil

Lepapkan pengadang roda dengan tonjolan pada jalur pengadang roda diwajibkan dengan takuk pada kotak gelas. Kemudian putarkan pengadang roda kepada sudut tertentu sehingga ia boleh melindungi pengendali mengikut kerja.

► **Rajah11:** 1. Pelindung roda 2. Kotak gelas

► **Rajah12:** 1. Pelindung roda

Ketatkan nat dengan kukuh menggunakan sepana, dan kemudian tutup tuil ke arah anak panah untuk mengikat pengadang roda. Jika tuil terlalu ketat atau terlalu longgar untuk mengikat pengadang roda, buka tuil dan kemudian longgarkan atau ketatkan nat dengan sepana untuk melaraskan pengetatan jalur pengadang roda.

► **Rajah13:** 1. Nat 2. Tuil

Untuk menanggalkan pengadang roda, ikut prosedur pemasangan secara terbalik.

Memasang atau mengeluarkan roda tengah lekuk atau cakera flap

Aksesori pilihan

⚠AMARAN: Apabila menggunakan roda pusat lekuk atau cakera rata, pengadang roda mesti dipasang pada alat supaya sisi tertutup pengadang sentiasa menghala ke arah pengendali.

⚠PERHATIAN: Pastikan melekapkan bahagian pelekap bibir dalaman sesuai dengan diameter dalaman roda pusat lekuk / cakera flap dengan sempurna. Melekapkan bibir dalaman di sebelah yang salah boleh mengakibatkan getaran berbahaya.

Lepapkan bibir dalaman kepada spindel.

Pastikan muat dengan bahagian kemik bibir dalaman pada bahagian lurus di bahagian bawah spindel.

Pasangkan roda/cakera pada bibir dalaman dan skrukan nat kunci dengan tonjolannya menghadap ke bawah (menghadap ke arah roda).

► **Rajah14:** 1. Nat kunci 2. Roda tengah lekuk 3. Bibir dalaman 4. Melekapkan bahagian

Untuk mengetatkan nat kunci, tekan kunci aci dengan kukuh supaya spindel tidak dapat berputar, kemudian gunakan perengkuh nat kunci dan ketatkan mengikut arah jam dengan kemas.

► **Rajah15:** 1. Perengkuh nat kunci 2. Kunci aci

Untuk menanggalkan roda, ikut prosedur pemasangan secara terbalik.

Memasang atau mengeluarkan roda fleksibel

Aksesori pilihan

⚠AMARAN: Sentiasa guna pengadang yang dibekalkan apabila roda fleksibel berada pada alat. Roda boleh berkecal semasa digunakan dan pengadang membantu mengurangkan kemungkinan berlaku kecederaan diri.

► **Rajah16:** 1. Nat kunci 2. Roda fleksibel 3. Pad sandaran 4. Bibir dalaman

Ikuti arahan untuk roda tengah lekuk tetapi juga guna pad sandaran di atas roda. Lihat arahan pemasangan pada halaman aksesori dalam manual ini.

Memasang dan menanggalkan Ezynut

Aksesori pilihan

Hanya untuk alat yang mempunyai ulir spindel M14.

Lekapkan bebibir dalaman, roda lelas dan Ezynut pada spindel agar Logo Makita pada Ezynut menghadap ke luar.

► **Rajah17:** 1. Ezynut 2. Roda lelas 3. Bebibir dalaman 4. Spindel

Tekan kunci aci dengan kuat dan ketatkan Ezynut dengan memutar roda lelas ikut arah jam sejauh ia boleh dipusingkan.

► **Rajah18:** 1. Kunci aci

Untuk melonggarkan Ezynut, pusing gelung luar Ezynut lawan arah jam.

NOTA: Ezynut boleh dilonggarkan menggunakan tangan selagi anak panah menghala ke takuk. Sebaliknya, perengkuh nat kunci diperlukan untuk melonggarkannya. Masukkan satu pin perengkuh ke dalam lubang dan pusing Ezynut lawan arah jam.

► **Rajah19:** 1. Anak panah 2. Takuk

► **Rajah20**

Memasang atau mengeluarkan cakera pelepas

Aksesori pilihan

► **Rajah21:** 1. Nat kunci pemasangan 2. Cakera lelas 3. Pad getah

1. Lekapkan pad getah kepada spindel.
2. Sesuaikan cakera pada pad getah dan skru nat kunci pemasangan pada spindel.
3. Pegang spindel dengan kunci aci, dan mengetatkan kunci nat pemasangan ikut arah jarum jam dengan perengkuh nat kunci.

Untuk menanggalkan cakera, ikut prosedur pemasangan secara terbalik.

NOTA: Gunakan aksesori pemasangan yang dinyatakan dalam manual ini. Aksesori ini mesti dibeli secara berasingan.

Operasi dengan roda intan / pemotong lelas

Aksesori pilihan

AMARAN: Apabila menggunakan roda intan / pemotong lelas, pastikan anda menggunakan hanya pengadang roda khas yang direka untuk kegunaan dengan roda pemotong.

(Di sesetengah negara Eropah, apabila menggunakan roda intan, pengadang biasa boleh digunakan. Ikut peraturan di negara anda.)

AMARAN: JANGAN SEKALI-KALI menggunakan roda pemotong untuk pengisaran sisi.

Lekapkan bebibir dalaman kepada spindel. Sesuaikan roda / cakera pada bebibir dalaman dan skru nat kunci pada spindel.

► **Rajah22:** 1. Nat kunci 2. Roda pemotongan pelepas / roda intan 3. Bebibir dalaman 4. Pengadang roda untuk roda pemotongan pelepas / roda intan

Untuk Australia dan New Zealand

► **Rajah23:** 1. Nat kunci 2. Bebibir luar 78 3. Roda pemotongan pelepas / roda intan 4. Bebibir dalaman 78 5. Pengadang roda untuk roda pemotongan pelepas / roda intan

Memasang berus cawan wayar

Aksesori pilihan

PERHATIAN: Jangan gunakan berus yang telah rosak atau tidak seimbang. Penggunaan berus yang rosak boleh meningkatkan kemungkinan kecederaan berlaku daripada sentuhan dengan wayar berus yang rosak.

► **Rajah24:** 1. Berus cawan wayar

Tanggalkan sebarang aksesori pada spindel. Masukkan berus cawan wayar ke dalam spindel dan ketatkan dengan perengkuh.

Memasang berus roda wayar

Aksesori pilihan

PERHATIAN: Jangan gunakan berus roda wayar yang telah rosak atau tidak seimbang. Penggunaan berus roda wayar yang rosak boleh meningkatkan kemungkinan kecederaan berlaku akibat tersentuh wayar yang rosak.

PERHATIAN: SENTIASA guna pengadang dengan berus roda wayar, memastikan diameter roda muat di dalam pengadang. Roda boleh berkecai semasa digunakan dan pengadang membantu mengurangkan kemungkinan berlaku kecederaan diri.

► **Rajah25:** 1. Berus roda wayar

Tanggalkan sebarang aksesori pada spindel. Ulir berus roda wayar pada spindel dan ketatkan dengan perengkuh.

Memasang pengadang roda pengumpul habuk

Pengadang roda pengumpul habuk untuk pengisaran

► **Rajah26:** 1. Nat kunci 2. Roda intan jenis cawan 3. Roda intan jenis cawan berhub 4. Bebibir dalaman 5. Pengadang roda pengumpul habuk 6. Kotak gelas

AMARAN: Pengadang roda pengumpul habuk untuk pengisaran hanya digunakan dalam konkrit rata pengisaran dengan roda intan jenis cawan. Jangan gunakannya dengan batu pengisaran atau untuk sebarang tujuan selain yang dinyatakan.

Pengadang roda pengumpul habuk untuk pemotong (untuk model GA9070 / GA9071)

► Rajah27

NOTA: Untuk mendapatkan maklumat tentang cara memasang penutup pengumpul habuk, rujuk manual penutup pengumpul habuk.

Menyambungkan pembersih hampagas

Aksesori pilihan

AMARAN: Jangan sekali-kali menggunakan pembersih hampagas zarah logam yang dihasilkan oleh operasi. Zarah logam yang dihasilkan oleh operasi sedemikian sangat panas sehingga ia menyalakan habuk dan penapis di dalam pembersih vakum.

Untuk mengelakkan persekitaran yang berhabuk disebabkan oleh pemotongan batu, gunakan pengadang roda pengumpul habuk dan pembersih hampagas.

Rujuk kepada manual arahan yang dilampirkan pada pengadang roda pengumpul habuk untuk memasang dan menggunakannya.

► **Rajah28:** 1. Pengadang roda pengumpul habuk untuk pemotong 2. Hos pembersih hampagas

OPERASI

AMARAN: Tidak perlu memaksa alat.

Berat alat memberikan tekanan yang mencukupi. Pemaksaan dan tekanan berlebihan boleh menyebabkan bahaya pecahnya roda.

AMARAN: SENTIASA menggantikan roda jika alat terjatuh semasa mengisar.

AMARAN: JANGAN SEKALI-KALI menghentam atau memukul cakera atau roda pengisaran supaya berfungsi.

AMARAN: Elakkan roda daripada melantun dan terhalang, terutamanya bekerja di sudut, pinggir yang tajam dsb. Ini boleh menyebabkan hilang kawalan dan tolak keluar.

AMARAN: JANGAN SEKALI-KALI menggunakan alat dengan bilah pemotong kayu dan bilah gergaji yang lain. Bilah yang sedemikian apabila digunakan pada pengisar akan kerap menentang dan menyebabkan hilang kawalan yang menyebabkan kecederaan diri.

PERHATIAN: Jangan sekali-kali menghidupkan alat ketika ia bersentuhan dengan bahan kerja, ia boleh menyebabkan kecederaan kepada pengendali.

PERHATIAN: Sentiasa memakai gogal keselamatan atau pelindung muka semasa operasi.

PERHATIAN: Selepas operasi, sentiasa matikan alat dan tunggu sehingga roda berhenti sepenuhnya sebelum meletakkan alat di bawah.

PERHATIAN: SENTIASA memegang alat dengan kemas dengan satu tangan pada perumah dan satu lagi tangan pada pemegang sisi (pemegang).

Operasi pengisaran dan pemasiran

► Rajah29

Menghidupkan alat pada dan kemudian menggunakan roda atau cakera untuk bahan kerja.

Secara umum, simpan tepi roda atau cakera pada sudut kira-kira 15° kepada permukaan bahan kerja. Semasa tempoh penukaran dengan roda baru, jangan gunakan pengisar pada arah hadapan atau ia boleh memotong dalam bahan kerja. Sebaik sahaja pinggir roda menjadi bulat setelah digunakan, roda mungkin berfungsi dalam kedua-dua arah kedepan dan kebelakang.

Operasi dengan roda intan / pemotong lelas

Aksesori pilihan

AMARAN: Jangan biarkan roda "tersekat" atau mengenakan tekanan berlebihan. Jangan cuba membuat kedalaman potongan yang berlebihan. Mengenaikan tekanan yang berlebihan kepada roda akan meningkatkan beban dan kecenderungan untuk berputar atau mengikat roda dalam potongan dan kemungkinan tolak keluar, kerosakan roda dan pemanasan motor yang melampaui boleh berlaku.

AMARAN: Jangan mulakan operasi pemotongan dalam bahan kerja. Biarkan roda mencapai kelajuan penuh dan berhati-hati masuk ke dalam potongan dan menggerakkan alat ke depan pada permukaan bahan kerja. Roda boleh terikat, berjalan atau tolak keluar jika alat kuasa dimulakan dalam bahan kerja.

AMARAN: Semasa operasi pemotongan, jangan sekali-kali mengubah sudut roda. Mengenaikan tekanan sisi pada roda pemotong (sepagaimana dalam pengisaran) akan menyebabkan roda retak dan pecah, seterusnya menyebabkan kecederaan diri yang serius.

AMARAN: Roda intan hendaklah dikendalikan tegak lurus kepada bahan yang sedang dipotong.

Contoh penggunaan: operasi dengan roda potong pelepas

► Rajah30

Contoh penggunaan: operasi dengan roda intan

► Rajah31

Operasi dengan berus cawan wayar

Aksesori pilihan

⚠PERHATIAN: Periksa operasi berus dengan menjalankan alat tanpa beban, memastikan bahawa tiada seorang pun di depan atau sebaris dengan berus.

NOTIS: Elakkan menggunakan terlalu banyak tekanan yang menyebabkan pembengkokan wayar yang lebih apabila menggunakan berus cawan wayar. Ia boleh menyebabkan kerosakan awal.

Contoh penggunaan: operasi dengan berus cawan wayar

► Rajah32

Operasi dengan berus roda wayar

Aksesori pilihan

⚠PERHATIAN: Periksa operasi berus roda wayar dengan menjalankan alat tanpa beban, memastikan bahawa tiada seorang pun di depan atau sebaris dengan berus roda wayar.

NOTIS: Elak menggunakan terlalu banyak tekanan yang menyebabkan pembengkokan wayar yang lebih apabila menggunakan berus roda wayar. Ia boleh menyebabkan kerosakan awal.

Contoh penggunaan: operasi dengan berus roda wayar

► Rajah33

PENYELENGGARAAN

⚠PERHATIAN: Sentiasa pastikan alat dimatikan dan palamnya dicabut sebelum cuba menjalankan pemeriksaan atau penyelenggaraan.

NOTIS: Jangan gunakan petrol, benzin, pencair, alkohol atau bahan yang serupa. Ia boleh menyebabkan perubahan warna, bentuk atau keretakan.

Untuk mengekalkan KESELAMATAN dan KEBOLEHPERCAYAAN produk, pembaikan, apa-apa penyelenggaraan atau penyesuaian lain perlu dilakukan oleh Kilang atau Pusat Servis Makita yang Diiktiraf, sentiasa gunakan alat ganti Makita.

NOTA: Jangan longgarkan skru pada penutup. Sebaliknya, penutup boleh terbuka secara tanpa sengaja.

► **Rajah34:** 1. Skru

Pembersihan bolong udara

Alat dan bolong udaranya perlu sentiasa bersih. Bersihkan bolong udara alat dengan kerap atau apabila bolong tersebut mula tersekat.

► **Rajah35:** 1. Bolong ekzos 2. Bolong penyedutan

Penyelenggaraan brek

Alat hendaklah dibaiki dengan segera oleh Kilang atau Pusat Servis Makita yang Diiktiraf dalam situasi yang berikut atau sebarang kerosakan lain;

- Prestasi pembrekan menurun dengan ketara.
- Putaran inersia aksesori berterusan selama lebih dari 6 saat selepas melepaskan pemicu suis.

AKSESORI PILIHAN

⚠️ PERHATIAN: Aksesori-aksesori atau lampiran-lampiran ini adalah disyorkan untuk digunakan dengan alat Makita anda yang ditentukan dalam manual ini. Penggunaan mana-mana aksesori-aksesori atau lampiran-lampiran lain mungkin mengakibatkan risiko kecederaan kepada orang. Hanya gunakan aksesori atau lampiran untuk tujuan yang dinyatakan.

Jika anda memerlukan sebarang bantuan untuk maklumat lebih lanjut mengenai aksesori ini, tanya Pusat Perkhidmatan Makita tempatan anda.

► Rajah36

-	180 mm	230 mm
1	Genggaman sisi/Pemegang gelung	
2	Pengadang roda untuk roda pengisaran tengah lekuk/cakera rata/berus roda wayar	
3	Bebibir dalaman *1	
4	Roda pengisaran tengah lekuk/Cakera rata	
5	Nat kunci / Ezynut *1	
6	Pengadang roda untuk roda pemetongan lelas/roda intan *2	
7	Bebibir dalaman 78 (Australia dan New Zealand sahaja) *3	
8	Roda pemetongan pelepas / Roda Intan	
9	Bebibir luar 78 (Australia dan New Zealand sahaja) *3	
10	Pad sandaran	
11	Roda fleksibel	
12	Pad getah	
13	Cakera lelas	
14	Nat kunci pemasiran	
15	Berus roda wayar	
16	Berus cawan wayar	
17	-	Genggaman sisi untuk pengadang roda pengumpul habuk
18	-	Pengadang roda pengumpul habuk untuk pemetong
19	-	Bebibir khas *4
20	-	Roda intan
21	Pengadang roda pengumpul habuk untuk roda intan ofset	
22	Roda intan ofset	
-	Perengkuh nat kunci	
-	Pemasangan penutup habuk	

NOTA: *1 Hanya untuk alat yang mempunyai ulir spindel M14.

NOTA: *2 Di sesetengah negara Eropah, apabila menggunakan roda intan, pengadang biasa boleh digunakan dan bukannya pengadang khas untuk melitupi kedua-dua bahagian roda. Ikut peraturan di negara anda.

NOTA: *3 Gunakan bebibir dalaman 78 dan bebibir luar 78 bersama-sama. (Australia dan New Zealand sahaja)

NOTA: *4 Bebibir dalaman untuk pengisar yang dilengkapi dengan fungsi brek apabila menggunakan bersama dengan pengadang roda pengumpul habuk.

NOTA: Beberapa item dalam senarai mungkin disertakan dalam pakej alat sebagai aksesori standard. Item mungkin berbeza mengikut negara.

THÔNG SỐ KỸ THUẬT

Kiểu máy:	GA7070	GA7071	GA9070	GA9071
Đường kính đĩa mài	180 mm		230 mm	
Chiều dày đĩa mài tối đa	7,2 mm		6,5 mm	
Ren cửa trụ quay	M14 hoặc 5/8" (tùy thuộc vào quốc gia)			
Tốc độ định mức (n)	8.500 min ⁻¹		6.600 min ⁻¹	
Chiều dài tổng thể	506 mm			
Tay cầm gắn công tắc	Dạng thanh	Loại D	Dạng thanh	Loại D
Khối lượng tịnh	6,1 - 6,6 kg	6,2 - 6,7 kg	6,3 - 8,5 kg	6,4 - 8,5 kg
Cấp an toàn	□/II			

- Do chương trình nghiên cứu và phát triển liên tục của chúng tôi nên các thông số kỹ thuật trong đây có thể thay đổi mà không cần thông báo trước.
- Các thông số kỹ thuật có thể thay đổi tùy theo từng quốc gia.
- Khối lượng máy có thể khác nhau tùy thuộc vào (các) phụ kiện. Tổ hợp nhẹ nhất và nặng nhất, theo Quy trình EPTA 01/2014, được trình bày trong bảng.

Ký hiệu

Phần dưới đây cho biết các ký hiệu có thể được dùng cho thiết bị. Đảm bảo rằng bạn hiểu rõ ý nghĩa của các ký hiệu này trước khi sử dụng.



Đọc tài liệu hướng dẫn.



Mang kính an toàn.



CÁCH ĐIỆN CẤP 2



Chỉ dành cho các quốc gia EU
Do có các thành phần nguy hiểm bên trong thiết bị, thiết bị điện và điện tử đã qua sử dụng nên có thể có tác động không tốt đến môi trường và sức khỏe con người. Không vứt bỏ thiết bị điện và điện tử cùng với rác thải sinh hoạt!
Theo Chỉ thị của Châu Âu về thiết bị điện và điện tử thải bỏ và sự thích ứng của nó với luật pháp quốc gia, thiết bị điện và điện tử đã qua sử dụng phải được thu gom riêng và chuyển đến một điểm thu gom rác thải đô thị riêng biệt, hoạt động theo các quy định về bảo vệ môi trường.
Điều này được biểu thị bằng biểu tượng thùng rác có bánh xe gạch chéo được đặt trên thiết bị.

Mục đích sử dụng

Dụng cụ này được dùng để mài, chà nhám và cắt kim loại và các vật liệu bằng đá mà không cần sử dụng nước.

Nguồn cấp điện

Dụng cụ này chỉ được nối với nguồn cấp điện có điện áp giống như đã chỉ ra trên biển tên và chỉ có thể được vận hành trên nguồn điện AC đơn pha. Chúng được cách điện hai lớp và do đó cũng có thể được sử dụng từ các ổ cắm điện không có dây tiếp đất.

CẢNH BÁO AN TOÀN

Cảnh báo an toàn chung dành cho dụng cụ máy

⚠ CẢNH BÁO: Xin đọc tất cả các cảnh báo an toàn, hướng dẫn, minh họa và thông số kỹ thuật đi kèm với dụng cụ máy này. Việc không tuân theo các hướng dẫn được liệt kê dưới đây có thể dẫn đến điện giật, hỏa hoạn và/hoặc thương tích nghiêm trọng.

Lưu giữ tất cả cảnh báo và hướng dẫn để tham khảo sau này.

Thuật ngữ "dụng cụ máy" trong các cảnh báo đề cập đến dụng cụ máy (có dây) được vận hành bằng nguồn điện chính hoặc dụng cụ máy (không dây) được vận hành bằng pin của bạn.

An toàn tại nơi làm việc

1. **Giữ nơi làm việc sạch sẽ và có đủ ánh sáng.**
Nơi làm việc bừa bộn hoặc tối thường dễ gây ra tai nạn.
2. **Không vận hành dụng cụ máy trong môi trường cháy nổ, ví dụ như môi trường có sự hiện diện của các chất lỏng, khí hoặc bụi dễ cháy.** Các dụng cụ máy tạo tia lửa điện có thể làm bụi hoặc khí bốc cháy.

- Giữ trẻ em và người ngoài tránh xa nơi làm việc khi đang vận hành dụng cụ máy. Sự xao lãng có thể khiến bạn mất khả năng kiểm soát.

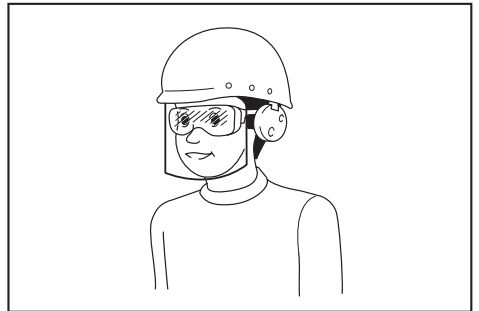
An toàn về Điện

- Phích cắm của dụng cụ máy phải khớp với ổ cắm. Không được sửa đổi phích cắm theo bất kỳ cách nào. Không sử dụng bất kỳ phích cắm chuyên nào với các dụng cụ máy được nối đất (tiếp đất). Các phích cắm còn nguyên vẹn và ổ cắm phù hợp sẽ giảm nguy cơ điện giật.
- Tránh để cơ thể tiếp xúc với các bề mặt nối đất hoặc tiếp đất như đường ống, bộ tản nhiệt, bếp ga và tủ lạnh. Nguy cơ bị điện giật sẽ tăng lên nếu cơ thể bạn được nối đất hoặc tiếp đất.
- Không để dụng cụ máy tiếp xúc với mưa hoặc trong điều kiện ẩm ướt. Nước lọt vào dụng cụ máy sẽ làm tăng nguy cơ điện giật.
- Không lạm dụng dây điện. Không được phép sử dụng dây để mang, kéo hoặc tháo phích cắm dụng cụ máy. Giữ dây tránh xa nguồn nhiệt, dầu, các mép sắc hoặc các bộ phận chuyển động. Dây bị hỏng hoặc bị rối sẽ làm tăng nguy cơ điện giật.
- Khi vận hành dụng cụ máy ngoài trời, hãy sử dụng dây kéo dài phù hợp cho việc sử dụng ngoài trời sẽ giảm nguy cơ điện giật.
- Nếu bắt buộc phải vận hành dụng cụ máy ở nơi ẩm ướt, hãy sử dụng nguồn cấp điện được bảo vệ bằng thiết bị ngắt dòng điện rò (RCD). Việc sử dụng RCD sẽ làm giảm nguy cơ điện giật.
- Chúng tôi luôn khuyến bạn sử dụng nguồn cấp điện qua thiết bị RCD có thể ngắt dòng điện rò định mức 30 mA hoặc thấp hơn.
- Các dụng cụ máy có thể tạo ra từ trường điện (EMF) có hại cho người dùng. Tuy nhiên, người dùng máy trợ tim và những thiết bị y tế tương tự khác nên liên hệ với nhà sản xuất thiết bị và/hoặc bác sỹ để được tư vấn trước khi vận hành dụng cụ này.
- Không chạm vào đầu cắm điện bằng tay ướt.
- Nếu dây bị hỏng, hãy nhờ nhà sản xuất hoặc đại lý thay dây mới để tránh nguy hiểm về an toàn.

An toàn Cá nhân

- Luôn tỉnh táo, quan sát những việc bạn đang làm và sử dụng những phán đoán theo kinh nghiệm khi vận hành dụng cụ máy. Không sử dụng dụng cụ máy khi bạn đang mệt mỏi hoặc chịu ảnh hưởng của ma túy, rượu hay thuốc. Chỉ một khoảnh khắc không tập trung khi đang vận hành dụng cụ máy cũng có thể dẫn đến thương tích cá nhân nghiêm trọng.
- Sử dụng thiết bị bảo hộ cá nhân. Luôn đeo thiết bị bảo vệ mắt. Các thiết bị bảo hộ như mặt nạ chống bụi, giày an toàn chống trượt, mũ bảo hộ hay thiết bị bảo vệ thính giác được sử dụng trong các điều kiện thích hợp sẽ giúp giảm thương tích cá nhân.

- Tránh vô tình khởi động dụng cụ máy. Đảm bảo công tắc ở vị trí off (tắt) trước khi nối nguồn điện và/hoặc bộ pin, cầm hoặc di chuyển dụng cụ máy. Việc di chuyển dụng cụ máy khi đang đặt ngón tay ở vị trí công tắc hoặc cấp điện cho dụng cụ máy đang bật thường dễ gây ra tai nạn.
- Tháo tất cả các khóa hoặc cờ lê điều chỉnh trước khi bật dụng cụ máy. Việc cờ lê hoặc khóa vẫn còn gắn vào bộ phận quay của dụng cụ máy có thể dẫn đến thương tích cá nhân.
- Không vởi quá cao. Luôn giữ thẳng bằng tốt và có chỗ để chân phù hợp. Điều này cho phép điều khiển dụng cụ máy tốt hơn trong những tình huống bất ngờ.
- Ăn mặc phù hợp. Không mặc quần áo rộng hay đeo đồ trang sức. Giữ tóc và quần áo tránh xa các bộ phận chuyển động. Quần áo rộng, đồ trang sức hay tóc dài có thể mắc vào các bộ phận chuyển động.
- Nếu các thiết bị được cung cấp để kết nối các thiết bị thu gom và hút bụi, hãy đảm bảo chúng được kết nối và sử dụng hợp lý. Việc sử dụng thiết bị thu gom bụi có thể làm giảm những mối nguy hiểm liên quan đến bụi.
- Không vì quen thuộc do thường xuyên sử dụng các dụng cụ mà cho phép bạn trở nên tự mãn và bỏ qua các nguyên tắc an toàn dụng cụ. Một hành động bất cẩn có thể gây ra thương tích nghiêm trọng trong một phần của một giây.
- Luôn luôn mang kính bảo hộ để bảo vệ mắt khỏi bị thương khi đang sử dụng các dụng cụ máy. Kính bảo hộ phải tuân thủ ANSI Z87.1 ở Mỹ, EN 166 ở Châu Âu, hoặc AS/NZS 1336 ở Úc/New Zealand. Tại Úc/New Zealand, theo luật pháp, bạn cũng phải mang mặt nạ che mặt để bảo vệ mặt.



Trách nhiệm của chủ lao động là bắt buộc người vận hành dụng cụ và những người khác trong khu vực làm việc cạnh đó phải sử dụng các thiết bị bảo hộ an toàn thích hợp.

Sử dụng và bảo quản dụng cụ máy

1. **Không dùng lực đối với dụng cụ máy. Sử dụng đúng dụng cụ máy cho công việc của bạn.** Sử dụng đúng dụng cụ máy sẽ giúp thực hiện công việc tốt hơn và an toàn hơn theo giá trị định mức được thiết kế của dụng cụ máy đó.
2. **Không sử dụng dụng cụ máy nếu công tắc không bật và tắt được dụng cụ máy đó.** Mọi dụng cụ máy không thể điều khiển được bằng công tắc đều rất nguy hiểm và phải được sửa chữa.
3. **Rút phích cắm ra khỏi nguồn điện và/hoặc tháo kết nối bộ pin khỏi dụng cụ máy, nếu có thể tháo rời trước khi thực hiện bất kỳ công việc điều chỉnh, thay đổi phụ tùng hay cất giữ dụng cụ máy nào.** Những biện pháp an toàn phòng ngừa này sẽ giảm nguy cơ vô tình khởi động dụng cụ máy.
4. **Cất giữ các dụng cụ máy không sử dụng ngoài tầm với của trẻ em và không cho bất kỳ người nào không có hiểu biết về dụng cụ máy hoặc các hướng dẫn này vận hành dụng cụ máy.** Dụng cụ máy sẽ rất nguy hiểm nếu được sử dụng bởi những người dùng chưa qua đào tạo.
5. **Bảo dưỡng dụng cụ máy và các phụ kiện.** Kiểm tra tình trạng lịch trực hoặc bỏ kẹt của các bộ phận chuyển động, hiện tượng nứt vỡ của các bộ phận và mọi tình trạng khác mà có thể ảnh hưởng đến hoạt động của dụng cụ máy. Nếu có hỏng hóc, hãy sửa chữa dụng cụ máy trước khi sử dụng. Nhiều tai nạn xảy ra là do không bảo quản tốt dụng cụ máy.
6. **Luôn giữ cho dụng cụ cất được sắc bén và sạch sẽ.** Những dụng cụ cất được bảo quản tốt có mép cắt sắc sẽ ít bị kẹt hơn và dễ điều khiển hơn.
7. **Sử dụng dụng cụ máy, phụ tùng và đầu dụng cụ cắt, v.v... theo các hướng dẫn này, có tính đến điều kiện làm việc và công việc được thực hiện.** Việc sử dụng dụng cụ máy cho các công việc khác với công việc dự định có thể gây nguy hiểm.
8. **Giữ tay cầm và bề mặt tay cầm khô, sạch, không dính dầu và mỡ.** Tay cầm trơn trượt và bề mặt tay cầm không cho phép xử lý an toàn và kiểm soát dụng cụ trong các tình huống bất ngờ.
9. **Khi sử dụng dụng cụ, không được đi giày tay lao động bằng vải, có thể bị vướng.** Việc giặt tay lao động bằng vải vướng vào các bộ phận chuyển động có thể gây ra thương tích cá nhân.

Bảo dưỡng

1. **Đề nghị viên sửa chữa đủ trình độ bảo dưỡng dụng cụ máy của bạn và chỉ sử dụng các bộ phận thay thế đồng nhất.** Việc này sẽ đảm bảo duy trì được độ an toàn của dụng cụ máy.
2. **Tuân theo hướng dẫn dành cho việc bôi trơn và thay phụ tùng.**

Cảnh báo an toàn đối với máy mài

Cảnh báo an toàn chung cho các thao tác mài, chà nhám, đánh bàn chải kim loại, hoặc cắt nhám:

1. **Dụng cụ máy này có chức năng như một máy mài, máy chà nhám, chổi sắt kim loại hoặc dụng cụ cắt.** Xin đọc tất cả các cảnh báo an toàn, hướng dẫn, minh họa và thông số kỹ thuật đi kèm với dụng cụ máy này. Việc không tuân theo các hướng dẫn được liệt kê dưới đây có thể dẫn đến điện giật, hỏa hoạn và/hoặc thương tích nghiêm trọng.
2. **Các thao tác như đánh bóng không được khuyến khích thực hiện bằng dụng cụ máy này.** Các thao tác mà dụng cụ máy này không được thiết kế để thực hiện có thể tạo ra nguy hiểm và gây thương tích cá nhân.
3. **Không được dùng các phụ kiện không được thiết kế đặc biệt và không theo khuyến cáo của nhà sản xuất dụng cụ.** Bởi nếu có thể gắn phụ kiện đó vào dụng cụ máy của bạn thì điều đó hoàn toàn không đảm bảo việc vận hành máy an toàn.
4. **Tốc độ định mức của phụ kiện ít nhất phải bằng tốc độ tối đa được đánh dấu trên dụng cụ máy này.** Các phụ kiện chạy nhanh hơn tốc độ định mức của chúng có thể bị vỡ và bay ra ngoài.
5. **Đường kính bên ngoài và độ dày của phụ kiện phải nằm trong mức đánh giá công suất của dụng cụ máy của bạn.** Các phụ kiện có kích thước không chính xác không thể được bảo vệ hoặc kiểm soát một cách đầy đủ.
6. **Lắp ren của phụ kiện phải khớp với ren của trụ quay máy mài.** Đối với các phụ kiện được gắn bằng mặt bích, lỗ trục tâm của phụ kiện đó phải vừa khít với đường kính định vị của mặt bích. Các phụ kiện không khớp với phần kim loại lắp ghép của dụng cụ máy sẽ bị mất cân bằng, rung động quá mức và có thể gây ra mất kiểm soát.
7. **Không sử dụng phụ kiện đã hư hỏng.** Trước mỗi lần sử dụng, kiểm tra phụ kiện như đĩa nhám xem có các mặt vụn và vết nứt hay không, tấm đặt lót xem có nứt gãy hoặc bị ăn mòn quá mức không, sợi kim loại của chổi sắt kim loại có bị lỏng hoặc nứt không. Nếu dụng cụ máy hoặc phụ kiện bị rơi, hãy kiểm tra hư hỏng hoặc lắp lại phụ kiện không bị hư hại. Sau khi kiểm tra và cài đặt phụ kiện, hãy tìm chỗ đứng cho bản thân mình và những người xung quanh để tránh xa mặt phẳng phụ kiện quay và chạy dụng cụ máy này ở tốc độ không tải tối đa trong vòng một phút. Phụ kiện bị hư hỏng thông thường sẽ bị vỡ trong thời gian thử nghiệm này.

8. **Mang thiết bị bảo hộ cá nhân.** Tùy thuộc vào việc sử dụng máy, hãy dùng mặt nạ bảo vệ mặt, kính bảo hộ hoặc kính an toàn. Khi thích hợp, hãy mang mặt nạ chống bụi, dụng cụ bảo vệ thính giác, găng tay và tạp dề làm việc có khả năng ngăn chặn các mảnh mài mòn hoặc mảnh vỡ từ vật gia công. Thiết bị bảo vệ mắt phải có khả năng ngăn chặn các mảnh vụn bay ra phát sinh bởi các hoạt động khác nhau. Mặt nạ chống bụi hoặc khẩu trang phải có khả năng lọc được các hạt tạo ra bởi hoạt động của bạn. Tiếp xúc kéo dài với tiếng ồn có cường độ cao có thể gây ra mất thính giác.
9. **Giữ những người xung quanh tránh xa nơi làm việc một khoảng cách an toàn.** Bất cứ ai bước vào khu vực làm việc đều phải đeo thiết bị bảo hộ cá nhân. Các mảnh vỡ của phôi gia công hoặc phụ kiện bị vỡ có thể bắn ra và gây thương tích bên ngoài khu vực thao tác cạnh đó.
10. **Chỉ cầm dụng cụ máy bằng bề mặt kẹp cách điện khi thực hiện một thao tác trong đó bộ phận cắt có thể tiếp xúc với dây dẫn kín hoặc dây có điện.** Phụ kiện cắt tiếp xúc với dây dẫn "có điện" có thể khiến các bộ phận kim loại bị hở của dụng cụ máy "có điện" và làm cho người vận hành bị điện giật.
11. **Đặt dây dẫn không để vướng phụ kiện quay.** Nếu bạn bị mất kiểm soát, dây dẫn có thể bị cắt hoặc bị quấn và bàn tay hoặc cánh tay của bạn có thể bị kéo vào phụ kiện quay đó.
12. **Không bao giờ đặt dụng cụ máy xuống cho đến khi phụ kiện đã dừng hẳn.** Phụ kiện quay có thể quấn lấy bề mặt và kéo công cụ máy vượt khỏi tầm kiểm soát của bạn.
13. **Không được chạy dụng cụ máy trong lúc đang mang bên hông bạn.** Tiếp xúc bất ngờ với phụ kiện quay có thể quấn lấy quần áo của bạn, kéo phụ kiện vướng vào người bạn.
14. **Thường xuyên làm sạch các lỗ thông hơi của dụng cụ máy.** Quạt của động cơ sẽ thu hút bụi vào bên trong vỏ và nhiều bộ kim loại tích tụ có thể gây ra các nguy hiểm về điện.
15. **Không vận hành công cụ máy gần các vật liệu dễ cháy.** Các tia lửa có thể kích cháy các vật liệu này.
16. **Không sử dụng các phụ kiện có yêu cầu chất làm mát dạng lỏng.** Sử dụng chất làm mát bằng nước hoặc chất lỏng khác có thể dẫn đến điện giật hoặc sốc.

Lực đẩy ngược và Cảnh báo Liên quan

Lực đẩy ngược là phản ứng bất ngờ đối với đĩa mài, tấm đặt lót, chổi hoặc bất cứ phụ kiện nào khác đang quay nhưng bị kẹt hoặc bị quấn. Việc bị kẹt hoặc quấn sẽ làm phụ kiện đang quay bị dừng nhanh chóng và do đó dụng cụ máy không kiểm soát được sẽ bị buộc phải theo hướng đối diện hướng quay của phụ kiện tại điểm bị ràng buộc.

Ví dụ, nếu đĩa nhám bị quấn hoặc kẹt bởi phôi gia công, phần mép của đĩa đang đi vào điểm kẹt có thể cày xới bề mặt vật liệu làm đĩa nhám trượt hoặc văng ra ngoài. Đĩa nhám có thể hoặc bật ra về gần hoặc xa khỏi người vận hành, tùy thuộc vào hướng chuyển động của đĩa nhám tại điểm kẹt. Đĩa nhám cũng có thể bị vỡ trong những tình trạng sau.

Lực đẩy ngược là kết quả của việc sử dụng dụng cụ máy không đúng và/hoặc do các quy trình vận hành hoặc các điều kiện không chính xác và có thể tránh được bằng cách thực hiện các biện pháp phòng ngừa thích hợp như được nêu dưới đây.

1. **Nắm giữ chắc dụng cụ máy và chọn thể đứng và vị trí tay cầm để cho phép bạn chống lại lực đẩy ngược.** Luôn luôn sử dụng tay cầm phụ, nếu được cung cấp, để kiểm soát tối đa lực đẩy ngược hoặc mô-men xoắn trong lúc khởi động. Người vận hành máy có thể kiểm soát mô-men xoắn hay lực đẩy ngược nếu thực hiện các biện pháp phòng ngừa đúng cách.
2. **Không bao giờ đặt tay bạn gần phụ kiện quay.** Phụ kiện có thể quật ngược lại lên tay bạn.
3. **Không đứng tại vị trí nơi dụng cụ máy sẽ bị đẩy tới nếu xảy ra lực đẩy ngược.** Lực đẩy ngược sẽ làm xoay dụng cụ theo hướng ngược lại chuyển động của đĩa mài tại vị trí bị quấn.
4. **Cẩn đặc biệt cẩn thận khi thao tác với các cạnh góc, mép sắc, v.v...** Tránh làm đối ra và quấn vào phụ kiện. Các góc, mép sắc hoặc đối ra có xu hướng làm quấn lấy phụ kiện đang quay và gây mất kiểm soát hoặc tạo lực đẩy ngược.
5. **Không được gắn lưỡi cưa xích khác gỗ hoặc lưỡi cưa răng.** Các loại lưỡi như vậy thường tạo ra lực đẩy ngược và dễ mất kiểm soát.

Cảnh báo an toàn cụ thể cho thao tác mài và cắt nhám:

1. **Chỉ sử dụng các loại đĩa mài được khuyến nghị cho dụng cụ máy của bạn và phần bảo vệ cụ thể được thiết kế cho đĩa mài được chọn.** Các đĩa mài mà dụng cụ máy này không được thiết kế cho chúng sẽ không thể được bảo vệ đầy đủ và thường không an toàn.
2. **Bề mặt tay cầm của đĩa mài trung tâm bị nén xuống phải được gắn dưới mặt phẳng của mép phần bảo vệ.** Đĩa mài gắn không đúng cách nhỏ ra khỏi mặt phẳng của mép phần bảo vệ sẽ không thể được bảo vệ đầy đủ.
3. **Phần bảo vệ phải được gắn chặt vào dụng cụ máy và được để ở vị trí an toàn tối đa, do đó sẽ đĩa mài tiếp xúc với người vận hành là ít nhất.** Phần bảo vệ giúp bảo vệ người vận hành khỏi mảnh vỡ từ đĩa mài bị vỡ, tiếp xúc bất ngờ với đĩa mài và các tia lửa có thể kích cháy quần áo.
4. **Chỉ sử dụng đĩa mài cho các ứng dụng được khuyến nghị.** Ví dụ: không mài mặt bên của đĩa mài cắt. Đĩa mài cắt nhám được dùng để mài ngoài vì, tác dụng lực mặt bên lên những đĩa mài này có thể khiến chúng vỡ vụn.
5. **Luôn luôn sử dụng mặt bích đĩa mài không bị hư hại có kích thước và hình dạng chính xác cho đĩa mài bạn đã chọn.** Các mặt bích đĩa mài phù hợp sẽ hỗ trợ đĩa mài giảm bớt khả năng bị vỡ đĩa mài. Các mặt bích dành cho đĩa cắt có thể khác với các mặt bích dành cho đĩa mài.
6. **Không sử dụng các đĩa đã bị mài mòn từ các dụng cụ máy lớn hơn.** Đĩa mài dùng cho dụng cụ máy lớn hơn sẽ không phù hợp với tốc độ cao hơn của dụng cụ nhỏ và có thể nổ.

Cảnh báo an toàn bổ sung chỉ định cho thao tác cắt nhám:

1. **Không làm “kẹt” đĩa cắt hoặc dùng lực quá nhiều. Không cố thực hiện chiều sâu cắt quá mức.** Dùng lực quá nhiều lên đĩa mài sẽ làm tăng tải trọng và dễ bị xoắn hoặc bó kẹt đĩa mài khi cắt và có khả năng đẩy ngược hoặc bị vỡ đĩa mài.
2. **Không được để cơ thể bạn thẳng hàng và phía sau đĩa mài đang quay.** Khi đĩa mài, ở điểm vận hành, đang di chuyển ra xa cơ thể bạn, lực bật ngược có thể xảy ra có thể có thể đẩy đĩa mài quay và dụng cụ máy trực tiếp về phía bạn.
3. **Khi đĩa mài bị bó kẹt hoặc khi đường cắt bị gián đoạn vì bất kỳ lý do nào, hãy tắt dụng cụ máy và giữ dụng cụ máy đứng im cho đến khi đĩa mài hoàn toàn dừng lại. Không được cố gỡ đĩa cắt ra khỏi đường cắt khi đĩa mài vẫn đang chuyển động nếu không có thể xảy ra hiện tượng bật ngược lại.** Kiểm tra và tiến hành khắc phục để loại bỏ nguyên nhân gây bó kẹt đĩa mài.
4. **Không khởi động lại thao tác cắt trong phôi gia công. Để đĩa mài đạt đến tốc độ tối đa và cẩn thận nhập lại đường cắt.** Đĩa mài có thể bị bó kẹt, bật lên hoặc bật ngược lại nếu dụng cụ máy được khởi động lại trong phôi gia công.
5. **Đỡ tấm ván hoặc phôi gia công có kích thước quá lớn để giảm thiểu nguy cơ làm kẹt bó đĩa và bật ngược lại.** Phôi gia công lớn thường có xu hướng võng xuống do khối lượng của nó. Phải đặt các giá đỡ dưới phôi gia công gần đường cắt và gần cạnh của phôi gia công ở cả hai phía của đĩa mài.
6. **Đặc biệt cẩn trọng khi thực hiện “cắt luân” vào các tường có sẵn hoặc các vùng khó nhìn khác.** Đĩa mài nhỏ ra có thể cắt phải ống ga hoặc ống nước, dây điện hoặc các vật có khả năng gây nên hiện tượng bật lại.

Cảnh báo an toàn chỉ định cho thao tác chà nhám:

1. **Không sử dụng giấy chà nhám dạng đĩa có khổ quá lớn. Làm theo các khuyến nghị của nhà sản xuất khi lựa chọn giấy nhám.** Giấy nhám lớn hơn vượt ra khỏi tấm đánh nhám sẽ dễ gây nguy hiểm rách giấy và có thể gây quẩn, xé rách đĩa hoặc tạo lực đẩy ngược.

Cảnh báo an toàn chỉ định cho thao tác đánh bàn chải kim loại:

1. **Cần biết rằng các sợi lông cứng bằng kim loại sẽ bị văng ra khỏi chổi ngay cả trong quá trình vận hành bình thường. Không dùng lực ứng suất vượt tải lên sợi kim loại bằng cách áp tải quá mức lên chổi.** Các sợi lông cứng bằng kim loại có thể dễ dàng xuyên qua quần áo mỏng và/hoặc da.
2. **Nếu sử dụng phần bảo vệ được khuyến nghị để đánh bàn chải kim loại, không để cho bất kỳ đĩa sợi hoặc chổi sắt nào vướng vào phần bảo vệ.** Đĩa sợi hoặc chổi sắt có thể mở rộng đường kính do tải trọng công việc và lực ly tâm.

Cảnh báo an toàn bổ sung:

1. **Khi sử dụng đĩa mài trung tâm bị nén xuống, hãy chắc chắn là bạn chỉ sử dụng đĩa mài có sợi thủy tinh gia cố.**

2. **KHÔNG BAO GIỜ SỬ DỤNG** đĩa mài loại **Nấp chụp bằng đá** cho máy mài này. Máy mài này không được thiết kế cho những loại đĩa mài này và việc sử dụng một sản phẩm như vậy có thể gây thương tích cá nhân nghiêm trọng.
3. **Cẩn thận không được làm hỏng trụ quay, mặt bích (đặc biệt là bề mặt lắp đặt) hoặc đai ốc khóa.** Hư hỏng đối với các bộ phận này có thể dẫn đến vỡ đĩa mài.
4. **Phải đảm bảo rằng đĩa mài không tiếp xúc với phôi gia công trước khi bắt công tác lên.**
5. **Trước khi sử dụng dụng cụ này trên phôi gia công thực, hãy để dụng cụ chạy trong ít phút.** Theo dõi sự rung động hoặc đu đưa qua lại có thể cho thấy việc lắp đặt không đạt yêu cầu hoặc đĩa mài được cân bằng kém.
6. **Sử dụng bề mặt của đầu mài chỉ định để thực hiện mài.**
7. **Không để mặc dụng cụ hoạt động. Chỉ vận hành dụng cụ khi cầm trên tay.**
8. **Không chạm vào phôi gia công ngay sau khi vận hành; chúng có thể rất nóng và có thể gây bỏng da.**
9. **Không chạm vào phụ kiện ngay sau khi vận hành; chúng có thể rất nóng và có thể gây bỏng da.**
10. **Tuân thủ các hướng dẫn của nhà sản xuất để gắn và sử dụng chính xác các đĩa mài. Xử lý và lưu trữ các đĩa mài cẩn thận.**
11. **Không sử dụng các ống đệm giảm thiểu riêng biệt hoặc các bộ tiếp nối để lắp các đĩa nhám có lỗ lớn vào.**
12. **Chỉ sử dụng các mặt bích được quy định cho dụng cụ này.**
13. **Đối với các dụng cụ dự định sẽ được trang bị đĩa mài lỗ có ren, đảm bảo rằng các ren trong đĩa mài đủ dài để chấp nhận chiều dài trục quay.**
14. **Kiểm tra xem phôi gia công đã được kê đỡ đầy đủ chưa.**
15. **Chú ý rằng đĩa mài sẽ tiếp tục quay sau khi tắt dụng cụ.**
16. **Nếu nơi làm việc rất nóng và ẩm ướt, hoặc bị ô nhiễm nặng bởi bụi dẫn điện, hãy dùng bộ ngắt điện đoàn mạch (30 mA) để bảo đảm an toàn cho người vận hành.**
17. **Không dùng dụng cụ này trên bất kỳ vật liệu nào có chứa amiăng.**
18. **Khi sử dụng đĩa cắt, luôn làm việc bằng phần bảo vệ đĩa gom bụi bắt buộc theo quy định trong nước.**
19. **Đĩa cắt không phải chịu bất kỳ áp lực bên nào.**
20. **Không sử dụng gắng tay làm việc bằng vải trong khi vận hành. Sợi từ gắng tay bằng vải có thể đi vào dụng cụ, làm dụng cụ hư hỏng.**
21. **Đảm bảo rằng không có cáp điện, ống nước, ống gas, v.v... nào có thể gây nguy hiểm nếu bị hư hỏng do sử dụng dụng cụ.**

LƯU GIỮ CÁC HƯỚNG DẪN NÀY.

⚠ CẢNH BÁO: KHÔNG vì đã thoải mái hay quen thuộc với sản phẩm (có được do sử dụng nhiều lần) mà không tuân thủ nghiêm ngặt các quy định về an toàn dành cho sản phẩm này. VIỆC DÙNG SAI hoặc không tuân theo các quy định về an toàn được nêu trong tài liệu hướng dẫn này có thể dẫn đến thương tích cá nhân nghiêm trọng.

MÔ TẢ CHỨC NĂNG

⚠ THẬN TRỌNG: Luôn bảo đảm rằng dụng cụ được tắt điện và rút phích cắm trước khi điều chỉnh hoặc kiểm tra chức năng của dụng cụ.

⚠ THẬN TRỌNG: Tránh khởi động công tắc về vị trí "OFF" (TẮT) trong trường hợp vô ý rút dây nguồn, mất điện, hoặc vô ý ngắt nguồn điện. Nếu không dụng cụ có thể bất ngờ khởi động khi có nguồn điện trở lại và có thể dẫn đến thương tích cá nhân.

Khóa trục

Nhấn khóa trục để ngăn xoay trụ quay khi lắp hoặc tháo phụ kiện.

► **Hình1:** 1. Khóa trục

CHÚ Ý: Không bao giờ kích hoạt khóa trục khi trục quay đang di chuyển. Dụng cụ có thể bị hư hỏng.

Các vị trí gắn tay cầm gắn công tắc

⚠ THẬN TRỌNG: Luôn đảm bảo rằng tay cầm gắn công tắc đã được khóa ở vị trí mong muốn trước khi vận hành.

Tay cầm gắn công tắc có thể quay 90° sang trái hoặc sang phải tùy theo yêu cầu công việc. Trước tiên, rút phích cắm điện của dụng cụ. Nhấn nút khóa và xoay tay cầm gắn công tắc hết mức sang trái hoặc sang phải. Tay cầm gắn công tắc sẽ được khóa ở vị trí đó.

GA7070, GA9070

► **Hình2:** 1. Vỏ ngoài động cơ 2. Nút khóa 3. Tay cầm

GA7071, GA9071

► **Hình3:** 1. Vỏ ngoài động cơ 2. Nút khóa 3. Tay cầm

Hoạt động công tắc

⚠ THẬN TRỌNG: Trước khi cắm điện vào dụng cụ, luôn luôn kiểm tra xem cần khởi động công tắc có hoạt động bình thường hay không và trả về vị trí "OFF" (TẮT) khi nhà ra.

Có ba kiểu hoạt động công tắc tùy theo quốc gia.

GA7070, GA9070

► **Hình4:** 1. Cần khởi động công tắc 2. Cần khóa

GA7071, GA9071

► **Hình5:** 1. Cần khởi động công tắc 2. Cần khóa

Đối với dụng cụ có công tắc gài khóa

Đặc trưng quốc gia

⚠ THẬN TRỌNG: Công tắc có thể khóa ở vị trí "ON" (BẬT) để người vận hành dễ dàng thuận tiện trong quá trình sử dụng kéo dài. Cần hết sức cẩn trọng khi khóa dụng cụ ở vị trí "ON" (BẬT) và phải luôn giữ chặt dụng cụ.

Để khởi động dụng cụ, chỉ cần kéo cần khởi động công tắc (theo hướng B). Nhả cần khởi động công tắc ra để dừng.

Để tiếp tục vận hành, hãy kéo cần khởi động công tắc (theo hướng B) và sau đó nhấn vào cần khóa (theo hướng A).

Để dừng dụng cụ từ vị trí đã khóa, hãy kéo cần khởi động công tắc hết mức (theo hướng B), sau đó nhả ra.

Đối với dụng cụ có công tắc nhà khóa

Đặc trưng quốc gia

Để ngăn ngừa vô tình kéo cần khởi động công tắc, dụng cụ được trang bị một cần khóa.

Để khởi động dụng cụ, nhấn cần khóa (theo hướng A) và kéo cần khởi động công tắc (theo hướng B). Nhả cần khởi động công tắc ra để dừng.

CHÚ Ý: Không kéo mạnh cần khởi động công tắc mà không nhấn cần khóa. Điều này có thể làm hỏng công tắc.

Đối với dụng cụ có công tắc gài khóa và nhà khóa

Đặc trưng quốc gia

⚠ THẬN TRỌNG: Công tắc có thể khóa ở vị trí "ON" (BẬT) để người vận hành dễ dàng thuận tiện trong quá trình sử dụng kéo dài. Cần hết sức cẩn trọng khi khóa dụng cụ ở vị trí "ON" (BẬT) và phải luôn giữ chặt dụng cụ.

Để ngăn ngừa vô tình kéo cần khởi động công tắc, dụng cụ được trang bị một cần khóa.

Để khởi động dụng cụ, nhấn cần khóa (theo hướng A) và kéo cần khởi động công tắc (theo hướng B). Nhả cần khởi động công tắc ra để dừng.

Để tiếp tục vận hành, nhấn cần khóa (theo hướng A), kéo cần khởi động công tắc (theo hướng B) và sau đó kéo cần khóa (theo hướng C).

Để dừng dụng cụ từ vị trí đã khóa, hãy kéo cần khởi động công tắc hết mức (theo hướng B), sau đó nhả ra.

CHÚ Ý: Không kéo mạnh cần khởi động công tắc mà không nhấn cần khóa. Điều này có thể làm hỏng công tắc.

Đèn chỉ báo

► **Hình6:** 1. Đèn chỉ báo

Đèn chỉ báo sẽ sáng màu xanh lá khi dụng cụ được cắm điện.

Nếu đèn chỉ báo này không sáng, dây điện chính hoặc bộ điều khiển có thể bị hỏng.

Đèn chỉ báo sáng lên nhưng dụng cụ không khởi động ngay cả khi được bật, bộ điều khiển hoặc công tắc có thể bị hỏng.

Nếu đèn chỉ báo nhấp nháy đỏ, các chổi các-bon có thể bị mòn hoặc động cơ có thể bị hỏng.

Chống vô tình khởi động lại

Dụng cụ sẽ không khởi động với công tắc đang được gài khóa ngay cả khi dụng cụ đã được cắm vào. Lúc này, đèn chỉ báo sẽ nhấp nháy đỏ để cho biết chức năng chống vô tình khởi động lại thiết bị đang hoạt động.

Để hủy bỏ chức năng chống vô tình khởi động lại, trả công tắc về vị trí TẮT.

LƯU Ý: Đợi hơn một giây trước khi khởi động lại dụng cụ khi chức năng chống vô tình khởi động lại hoạt động.

Công nghệ cảm ứng Active Feedback

⚠️ THẬN TRỌNG: Cầm chắc dụng cụ cho đến khi việc xoay dừng lại.

Dụng cụ này phát hiện kiểu điện tử các tình huống mà bánh mài hoặc phụ kiện có thể có nguy cơ bị kẹt chặt lại. Trong tình huống này, dụng cụ sẽ tự động ngắt nguồn điện để phòng ngừa trụ quay xoay thêm (điều này không ngăn cản lực đẩy ngược).

Lúc này, đèn chỉ báo sẽ nhấp nháy đỏ và cho biết Công nghệ cảm ứng Active Feedback đang hoạt động. Để khởi động lại dụng cụ, trước tiên hãy tắt dụng cụ, loại bỏ nguyên nhân gây ra giảm tốc độ xoay đột ngột, và sau đó bật dụng cụ.

Tính năng khởi động mềm

Tính năng khởi động mềm làm giảm phản lực khi khởi động.

LẮP RÁP

⚠️ THẬN TRỌNG: Luôn luôn đảm bảo rằng dụng cụ đã được tắt và tháo phích cắm trước khi dùng dụng cụ thực hiện bất cứ công việc nào.

Lắp đặt tay cầm hông (tay cầm)

⚠️ THẬN TRỌNG: Luôn đảm bảo rằng tay cầm hông được gắn chặt trước khi vận hành.

⚠️ THẬN TRỌNG: Bạn có thể lắp đặt tay cầm hông trên 3 lỗ. Lắp đặt tay cầm hông vào một trong các lỗ theo thao tác.

Vặn tay cầm hông thật chặt trên vị trí của dụng cụ như thể hiển trên hình vẽ.

► Hình7

Lắp đặt hoặc tháo tay cầm có quai

Phụ kiện tùy chọn

⚠️ THẬN TRỌNG: Luôn luôn đảm bảo rằng các bu-lông trên tay cầm có quai được siết an toàn trước khi sử dụng.

⚠️ THẬN TRỌNG: Cầm khu vực mài của tay cầm có quai theo quy định trong hình. Ngoài ra, giữ cho tay tránh xa bộ phận kim loại của máy mài trong quá trình vận hành. Chạm vào bộ phận kim loại có thể dẫn đến điện giật, khi phụ tùng cắt vô tình cắt trúng dây điện trần.

Tay cầm có quai có thể thoải mái hơn so với tay cầm hông gốc đối với một số ứng dụng. Để lắp đặt tay cầm có quai, gắn tay cầm lên dụng cụ như minh họa và vặn chặt hai bu-lông để cố định tay cầm.

Để tháo tay cầm có quai, thực hiện ngược lại quy trình lắp vào.

► Hình8: 1. Tay cầm có quai 2. Bu-lông 3. Khu vực mài

Lắp hoặc tháo phần bảo vệ đĩa (Dành cho đĩa mài trung tâm bị nén xuống, đĩa nhám xếp, đĩa lật, chổi sắt dạng đĩa mài / đĩa cắt nhám, đĩa mài kim cương)

⚠️ CẢNH BÁO: Khi sử dụng đĩa mài trung tâm bị nén xuống, đĩa nhám xếp, đĩa lật hoặc chổi sắt dạng đĩa mài, phần bảo vệ đĩa phải được trang bị trên dụng cụ sao cho bên đóng lại của phần bảo vệ luôn chỉ về phía người vận hành.

⚠️ CẢNH BÁO: Khi sử dụng đĩa cắt nhám/đĩa mài kim cương, hãy chắc chắn là bạn chỉ sử dụng phần bảo vệ đĩa chuyên dụng được thiết kế để sử dụng với đĩa cắt.

(Ở một vài quốc gia Châu Âu, khi sử dụng đĩa mài kim cương, phần bảo vệ thông thường có thể được sử dụng. Theo các quy định ở đất nước của bạn.)

Đối với dụng cụ phần bảo vệ đĩa loại vít hãm

Gắn phần bảo vệ đĩa với phần nhô ra trên đai của phần bảo vệ đĩa đã căn chỉnh các rãnh khía trên hộp ổ đệm. Sau đó quay phần bảo vệ đĩa sang góc mà có thể bảo vệ người vận hành tùy theo công việc. Đảm bảo đã vặn chặt bu-lông sáu cạnh.

Để tháo phần bảo vệ đĩa, hãy làm ngược lại quy trình lắp vào.

► Hình9: 1. Phần bảo vệ đĩa 2. Hộp ổ đệm 3. Vít

Đổi với dụng cụ phần bảo vệ đĩa loại cần kẹp

Phụ kiện tùy chọn

⚠CẢNH BÁO: Phần bảo vệ đĩa phải được trang bị trên dụng cụ sao cho bên đóng lại của phần bảo vệ luôn chỉ về phía người vận hành.

Nới lỏng đai ốc, và sau đó kéo cần ra theo hướng mũi tên.

► **Hình10:** 1. Đai ốc 2. Cần kẹp

Gắn phần bảo vệ đĩa với phần nhô ra trên đai của phần bảo vệ đĩa đã căn chỉnh các rãnh khía trên hộp ổ đệm. Sau đó quay phần bảo vệ đĩa sang góc mà có thể bảo vệ người vận hành tùy theo công việc.

► **Hình11:** 1. Phần bảo vệ đĩa 2. Hộp ổ đệm

► **Hình12:** 1. Phần bảo vệ đĩa

Siết thật chặt đai ốc bằng chia vặn đai ốc rồi đóng cần lại theo hướng mũi tên để vặn chặt phần bảo vệ đĩa. Nếu cần gạt dùng để siết chặt phần bảo vệ đĩa quá chặt hoặc quá lỏng, hãy mở cần gạt rồi nới lỏng hoặc vặn chặt đai ốc bằng chia vặn đai ốc để điều chỉnh độ siết của dây đai của phần bảo vệ đĩa.

► **Hình13:** 1. Đai ốc 2. Cần gạt

Để tháo phần bảo vệ đĩa, hãy làm ngược lại quy trình lắp vào.

Lắp hoặc tháo đĩa mài trung tâm bị nén xuống hoặc đĩa nhám xếp

Phụ kiện tùy chọn

⚠CẢNH BÁO: Khi sử dụng đĩa mài trung tâm bị nén xuống hoặc đĩa nhám xếp, phần bảo vệ đĩa phải được trang bị trên dụng cụ sao cho bên đóng lại của phần bảo vệ luôn chỉ về phía người vận hành.

⚠THẬN TRỌNG: Đảm bảo rằng phần gắn của vành trong vừa khít với đường kính trong của đĩa mài trung tâm bị nén xuống/đĩa nhám xếp. Việc gắn vành trong sai mặt có thể gây ra rung động nguy hiểm.

Gắn vành trong lên trụ quay.

Đảm bảo đã gắn bộ phận răng cưa của vành trong lên bộ phận thẳng ở đáy trụ quay.

Gắn khít đĩa mài/đĩa trên vành trong và vặn đai ốc khóa với phần nhô ra mặt hướng xuống (hướng về đĩa mài).

► **Hình14:** 1. Đai ốc khóa 2. Đĩa mài trung tâm bị nén xuống 3. Vành trong 4. Phần gắn

Để vặn chặt đai ốc khóa, hãy nhấn khóa trực sao cho trụ quay không thể xoay, sau đó sử dụng cờ lê đai ốc khóa và vặn chặt lại theo chiều kim đồng hồ.

► **Hình15:** 1. Cờ-lê khóa đai ốc 2. Khóa trực

Để tháo đĩa mài, hãy làm ngược lại quy trình lắp vào.

Lắp hoặc tháo đĩa lật

Phụ kiện tùy chọn

⚠CẢNH BÁO: Luôn sử dụng phần bảo vệ được cung cấp khi đĩa lật đang trên dụng cụ. Đĩa mài có thể vỡ vụn trong khi sử dụng và phần bảo vệ giúp làm giảm nguy cơ thương tích cá nhân.

► **Hình16:** 1. Đai ốc khóa 2. Đĩa lật 3. Tấm dự phòng 4. Vành trong

Làm theo hướng dẫn dành cho đĩa mài trung tâm bị nén xuống, ngoài ra cũng nên sử dụng tấm dự phòng lên trên đĩa mài. Xem thư tự lắp ráp trên trang phụ kiện trong hướng dẫn sử dụng này.

Lắp hoặc tháo Ezynut

Phụ kiện tùy chọn

Chỉ dành cho ren trụ quay M14.

Gắn vành trong, đĩa nhám và Ezynut lên trên trụ quay sao cho Logo Makita trên mặt Ezynut hướng ra ngoài.

► **Hình17:** 1. Ezynut 2. Đĩa nhám 3. Vành trong 4. Trụ quay

Bấm chặt khóa trực và vặn chặt Ezynut bằng cách xoay đĩa nhám theo chiều kim đồng hồ hết mức xoay.

► **Hình18:** 1. Khóa trực

Để nới lỏng Ezynut, xoay vòng ngoài của Ezynut ngược chiều kim đồng hồ.

LƯU Ý: Có thể nới lỏng Ezynut bằng tay khi mũi tên chỉ đến rãnh khía. Nếu không, cần có cờ-lê đai ốc khóa để nới lỏng nó. Lắp chốt của cờ-lê vào lỗ và vặn Ezynut ngược chiều kim đồng hồ.

► **Hình19:** 1. Mũi tên 2. Rãnh khía

► **Hình20**

Gắn hoặc tháo đĩa nhám

Phụ kiện tùy chọn

► **Hình21:** 1. Đai ốc khóa chà nhám 2. Đĩa nhám 3. Tấm cao su

1. Gắn tấm cao su lên trụ quay.

2. Gắn khít đĩa trên tấm cao su và vặn đai ốc khóa chà nhám lên trụ quay.

3. Giữ trụ quay bằng khóa trực, và vặn chặt đai ốc khóa chà nhám theo chiều kim đồng hồ bằng cờ lê đai ốc khóa.

Để tháo đĩa nhám, hãy làm ngược lại quy trình lắp vào.

LƯU Ý: Sử dụng các phụ kiện máy chà nhám được quy định trong sách hướng dẫn này. Các mục này phải được mua riêng.

Vận hành với đĩa cắt nhám/đĩa mài kim cương

Phụ kiện tùy chọn

⚠ CẢNH BÁO: Khi sử dụng đĩa cắt nhám/đĩa mài kim cương, hãy chắc chắn là bạn chỉ sử dụng phần bảo vệ đĩa chuyên dụng được thiết kế để sử dụng với đĩa cắt.

(Ở một vài quốc gia Châu Âu, khi sử dụng đĩa mài kim cương, phần bảo vệ thông thường có thể được sử dụng. Theo các quy định ở đất nước của bạn.)

⚠ CẢNH BÁO: KHÔNG BAO GIỜ sử dụng đĩa cắt để mài mặt bên.

Gắn vành trong lên trụ quay.

Gắn khít đĩa mài/đĩa trên vành trong và vận hành ốc khóa lên trụ quay.

► **Hình22:** 1. Đai ốc khóa 2. Đĩa cắt nhám / đĩa mài kim cương 3. Vành trong 4. Phần bảo vệ đĩa dành cho đĩa cắt nhám / đĩa mài kim cương

Đối với Úc và New Zealand

► **Hình23:** 1. Đai ốc khóa 2. Vành ngoài 78 3. Đĩa cắt nhám / đĩa mài kim cương 4. Vành trong 78 5. Phần bảo vệ đĩa dành cho đĩa cắt nhám / đĩa mài kim cương

Lắp chổi sắt dạng côn

Phụ kiện tùy chọn

⚠ THẬN TRỌNG: Không sử dụng chổi đã bị hư, hoặc mất cân bằng. Sử dụng chổi hư có thể làm tăng khả năng thương tích do tiếp xúc với sợi kim loại của chổi đã gãy.

► **Hình24:** 1. Chổi sắt dạng côn

Tháo bất kỳ phụ tùng nào trên trục quay. Lắp chổi sắt dạng côn vào trục quay và vận hành bằng cờ lê.

Lắp chổi sắt dạng đĩa mài

Phụ kiện tùy chọn

⚠ THẬN TRỌNG: Không sử dụng chổi sắt dạng đĩa mài đã bị hư, hoặc mất cân bằng. Sử dụng chổi sắt dạng đĩa mài bị hư có thể làm tăng khả năng thương tích do tiếp xúc với sợi kim loại đã gãy.

⚠ THẬN TRỌNG: LUÔN sử dụng phần bảo vệ với chổi sắt dạng đĩa mài, hãy đảm bảo đường kính của đĩa mài vừa với phần bảo vệ bên trong. Đĩa mài có thể vỡ vụn trong khi sử dụng và phần bảo vệ giúp làm giảm nguy cơ thương tích cá nhân.

► **Hình25:** 1. Chổi sắt dạng đĩa mài

Tháo bất kỳ phụ tùng nào trên trục quay. Lắp chổi sắt dạng đĩa mài lên trục quay và vận hành bằng cờ lê.

Lắp đặt chụp bảo vệ có cổng thoát bụi

Chụp bảo vệ có cổng thoát bụi để mài

► **Hình26:** 1. Đai ốc khóa 2. Đĩa mài kim cương loại nắp chụp 3. Đĩa mài kim cương loại nắp chụp trung tâm 4. Vành trong 5. Chụp bảo vệ có cổng thoát bụi 6. Hộp ổ đệm

⚠ CẢNH BÁO: Chụp bảo vệ có cổng thoát bụi để mài chỉ dùng để mài bề tông phẳng bằng đĩa mài kim cương loại nắp chụp. Không sử dụng nó để mài đá hoặc cho bất kỳ mục đích nào khác ngoài mục đích đã được đề cập.

Chụp bảo vệ có cổng thoát bụi để cắt (đối với kiểu máy GA9070 / GA9071)

► **Hình27**

LƯU Ý: Để biết thông tin về cách để lắp đặt tấm chắn túi chứa bụi, tham khảo tài liệu hướng dẫn của tấm chắn túi chứa bụi.

Kết nối máy hút bụi

Phụ kiện tùy chọn

⚠ CẢNH BÁO: Tuyệt đối không hút các mảnh kim loại do vận hành tạo ra. Các mảnh kim loại do vận hành đó tạo ra có thể nóng đến mức làm cháy bụi và bộ lọc bên trong máy hút bụi.

Để tránh làm môi trường bụi bặm do cát gạch đá, hãy sử dụng bộ phận bảo vệ đĩa hút bụi và máy hút bụi. Tham khảo hướng dẫn sử dụng đi kèm với bộ phận bảo vệ đĩa hút bụi để lắp ráp và sử dụng nó.

► **Hình28:** 1. Chụp bảo vệ có cổng thoát bụi để cắt 2. Ống dẫn của máy hút bụi

VẬN HÀNH

⚠ CẢNH BÁO: Không cần thiết phải dùng lực lên dụng cụ. Khối lượng của dụng cụ sẽ gây ra một áp lực thích hợp. Dùng lực và dùng lực quá nhiều có thể gây vỡ đĩa mài rất nguy hiểm.

⚠ CẢNH BÁO: LUÔN thay đĩa mài nếu dụng cụ bị rơi ra trong khi mài.

⚠ CẢNH BÁO: KHÔNG BAO GIỜ đập hoặc dụng vào đĩa mài hoặc đĩa đang làm việc.

⚠ CẢNH BÁO: Tránh dồn ép hoặc vướng vào đĩa mài, đặc biệt là khi làm việc với các góc, cạnh nhọn, v.v... Điều này có thể gây mất kiểm soát và tạo lực đẩy ngược.

⚠ CẢNH BÁO: KHÔNG BAO GIỜ sử dụng dụng cụ có lưới cắt gỗ và các loại lưới cửa khác. Các loại lưới như vậy khi được sử dụng trên máy mài sẽ thường xuyên gây giật và làm mất kiểm soát dẫn đến thương tích cá nhân.

⚠ THẬN TRỌNG: Không bao giờ bật dụng cụ lên khi nó đang tiếp xúc với phôi gia công, điều này có thể gây thương tích cho người vận hành.

⚠ THẬN TRỌNG: Luôn mang kính bảo hộ hoặc mặt nạ bảo vệ mặt trong khi vận hành.

⚠ THẬN TRỌNG: Sau khi vận hành, luôn tắt dụng cụ và chờ đến khi đĩa mài dừng hoàn toàn trước khi đặt dụng cụ xuống.

⚠ THẬN TRỌNG: LUÔN cầm chắc dụng cụ bằng một tay đặt lên vỏ dụng cụ và tay kia đặt lên tay cầm hông (tay nắm).

Thao tác mài và chà nhám

► Hình29

Bật dụng cụ lên và sau đó sử dụng đĩa mài hoặc đĩa cho phôi gia công.

Nói chung, hãy giữ cạnh đĩa mài hoặc đĩa ở một góc khoảng 15° so với bề mặt phôi gia công. Trong giai đoạn đưa đĩa mài mới vào, không làm việc khi máy mài đang hướng về trước, nếu không nó có thể cắt vào phôi gia công. Một khi các cạnh của đĩa mài đã được bo tròn bằng cách sử dụng, các đĩa mài có thể được làm việc ở cả hai hướng về trước và về sau.

Vận hành với đĩa cắt nhám/đĩa mài kim cương

Phụ kiện tùy chọn

⚠ CẢNH BÁO: Không làm “kẹt” đĩa mài hoặc dùng lực quá nhiều. Không cố thực hiện chiều sâu cắt quá mức. Dùng lực quá nhiều lên đĩa mài sẽ làm tăng tải trọng và dễ bị xoắn hoặc bó kẹt đĩa mài khi cắt và có khả năng đẩy ngược, vỡ đĩa mài và động cơ quá nhiệt có thể xảy ra.

⚠ CẢNH BÁO: Không khởi động thao tác cắt trong phôi gia công. Để đĩa mài đạt đến tốc độ tối đa và cẩn thận nhập lại đường cắt di chuyển dụng cụ về phía trước trên bề mặt phôi gia công. Đĩa mài có thể bị bó kẹt, bật lên hoặc bật ngược lại nếu dụng cụ máy được khởi động trong phôi gia công.

⚠ CẢNH BÁO: Trong lúc cắt, không bao giờ thay đổi góc đĩa mài. Đặt áp lực hông trên đĩa cắt (cũng như khi mài) sẽ làm cho đĩa cắt nứt và vỡ, gây thương tích cá nhân nghiêm trọng.

⚠ CẢNH BÁO: Đĩa mài kim cương nên được đặt vuông góc với vật liệu được cắt.

Ví dụ về cách sử dụng: vận hành với đĩa cắt nhám
► Hình30

Ví dụ về cách sử dụng: vận hành với đĩa mài kim cương
► Hình31

Vận hành với chổi sắt dạng côn

Phụ kiện tùy chọn

⚠ THẬN TRỌNG: Kiểm tra hoạt động của chổi bằng cách chạy dụng cụ không tải, đảm bảo rằng không có ai ở phía trước hoặc ngang hàng với chổi.

CHÚ Ý: Tránh dùng lực quá nhiều có thể làm sợi kim loại cong khi sử dụng chổi sắt dạng côn. Nó có thể dẫn đến sớm bị gãy vỡ.

Ví dụ về cách sử dụng: vận hành với chổi sắt dạng côn

► Hình32

Vận hành với chổi sắt dạng đĩa mài

Phụ kiện tùy chọn

⚠ THẬN TRỌNG: Kiểm tra hoạt động của chổi sắt dạng đĩa mài bằng cách chạy dụng cụ không tải, đảm bảo rằng không có ai ở phía trước hoặc thẳng hàng với chổi sắt dạng đĩa mài.

CHÚ Ý: Tránh dùng lực quá nhiều có thể làm sợi kim loại cong khi sử dụng chổi sắt dạng đĩa mài. Nó có thể dẫn đến sớm bị gãy vỡ.

Ví dụ về cách sử dụng: vận hành với chổi sắt dạng đĩa mài

► Hình33

BẢO TRÌ

⚠ THẬN TRỌNG: Luôn bảo đảm rằng dụng cụ được tắt điện và rút phích cắm trước khi thực hiện việc kiểm tra hoặc bảo trì.

CHÚ Ý: Không được phép dùng xăng, ét xăng, dung môi, cồn hoặc hóa chất tương tự. Có thể xảy ra hiện tượng mất màu, biến dạng hoặc nứt vỡ.

Để đảm bảo ĐỘ AN TOÀN và ĐỘ TIN CẬY của sản phẩm, việc sửa chữa hoặc bất cứ thao tác bảo trì, điều chỉnh nào đều phải được thực hiện bởi các Trung tâm Dịch vụ Nhà máy hoặc Trung tâm được Makita Ủy quyền và luôn sử dụng các phụ tùng thiết bị thay thế của Makita.

LƯU Ý: Không nói lỏng vít trên tấm chắn. Nếu làm vậy, tấm chắn có thể vô tình bị mở ra.

► Hình34: 1. Vít

Vệ sinh lỗ thông khí

Dụng cụ và các khe thông khí của nó cần phải được giữ sạch sẽ. Thường xuyên vệ sinh các khe thông khí của dụng cụ hoặc bất cứ khi nào các khe này bắt đầu bị kẹt vướng.

► Hình35: 1. Lỗ thông khí thải 2. Lỗ hút khí

Bảo dưỡng phanh

Dụng cụ phải được sửa chữa ngay lập tức bởi các Trung tâm được Makita Ủy quyền hoặc Trung tâm Dịch vụ Nhà máy trong tình huống sau đây hoặc bất cứ sự cố nào khác:

- Hiệu suất phanh giảm đáng kể.
- Việc xoay quán tính của phụ kiện tiếp tục diễn ra hơn 6 giây sau khi nhả cần khởi động công tắc.

PHỤ KIỆN TÙY CHỌN

⚠ THẬN TRỌNG: Các phụ kiện hoặc phụ tùng gắn thêm này được khuyến cáo sử dụng với dụng cụ Makita của bạn theo như quy định trong hướng dẫn này. Việc sử dụng bất cứ phụ kiện hoặc phụ tùng gắn thêm nào khác đều có thể gây ra rủi ro thương tích cho người. Chỉ sử dụng phụ kiện hoặc phụ tùng gắn thêm cho mục đích đã quy định sẵn của chúng.

Nếu bạn cần bất kỳ sự hỗ trợ nào để biết thêm chi tiết về các phụ tùng này, hãy hỏi Trung tâm Dịch vụ của Makita tại địa phương của bạn.

► Hình 36

-	180 mm	230 mm
1	Tay cầm hông/Tay cầm có quai	
2	Phần bảo vệ đĩa dành cho đĩa mài trung tâm bị nén xuống / đĩa nhám xếp / chổi sắt dạng đĩa mài	
3	Vành trong *1	
4	Đĩa mài trung tâm bị nén xuống / Đĩa nhám xếp	
5	Đai ốc khóa / Ezynut *1	
6	Phần bảo vệ đĩa dành cho đĩa cắt nhôm / đĩa mài kim cương *2	
7	Vành trong 78 (chỉ dành cho khu vực Úc và New Zealand) *3	
8	Đĩa cắt nhôm / Đĩa mài kim cương	
9	Vành ngoài 78 (chỉ dành cho khu vực Úc và New Zealand) *3	
10	Tấm dự phòng	
11	Đĩa lật	
12	Tấm cao su	
13	Đĩa nhám	
14	Đai ốc khóa chà nhám	
15	Chổi sắt dạng đĩa mài	
16	Chổi sắt dạng cón	
17	-	Tay cầm hông cho chụp bảo vệ có cổng thoát bụi
18	-	Chụp bảo vệ có cổng thoát bụi để cắt
19	-	Vành đặc biệt *4
20	-	Đĩa mài kim cương
21	Chụp bảo vệ có cổng thoát bụi dành cho đĩa mài kim cương dạng gờ	
22	Đĩa mài kim cương dạng gờ	
-	Cờ-lê khóa đai ốc	
-	Phụ kiện tấm chắn bụi	

LƯU Ý: *1 Chỉ dành cho ren trụ quay M14.

LƯU Ý: *2 Ở một vài quốc gia Châu Âu, khi sử dụng đĩa mài kim cương, phần bảo vệ thông thường có thể được sử dụng thay cho phần bảo vệ đặc biệt phủ lên cả hai phía của đĩa mài. Theo các quy định ở đất nước của bạn.

LƯU Ý: *3 Sử dụng Vành trong 78 và Vành ngoài 78 cùng nhau. (Chỉ dành cho khu vực Úc và New Zealand)

LƯU Ý: *4 Vành trong dành cho máy mài được trang bị chức năng phanh khi sử dụng cùng với chụp bảo vệ có cổng thoát bụi.

LƯU Ý: Một số mục trong danh sách có thể được bao gồm trong gói dụng cụ làm phụ kiện tiêu chuẩn. Các mục này ở mỗi quốc gia có thể khác nhau.

ข้อมูลจำเพาะ

รุ่น:	GA7070	GA7071	GA9070	GA9071
เส้นผ่านศูนย์กลางลูกกลิ้ง	180 mm		230 mm	
ความหนาของลวด	7.2 mm		6.5 mm	
แกนเสียบ	M14 หรือ 5/8" (เฉพาะประเทศ)			
อัตราความเร็ว (n)	8,500 min ⁻¹		6,600 min ⁻¹	
ความยาวโดยรวม	506 mm			
มือจับสวิตช์	แบบแถบ	ประเภท D	แบบแถบ	ประเภท D
น้ำหนักสุทธิ	6.1 - 6.6 kg	6.2 - 6.7 kg	6.3 - 8.5 kg	6.4 - 8.5 kg
มาตรฐานความปลอดภัย	☐/II			

- เนื่องจากการค้นคว้าวิจัยและพัฒนาอย่างต่อเนื่อง ข้อมูลจำเพาะในเอกสารฉบับนี้อาจเปลี่ยนแปลงได้โดยไม่ต้องแจ้งให้ทราบล่วงหน้า
- ข้อมูลจำเพาะอาจแตกต่างกันไปในแต่ละประเทศ
- น้ำหนักอาจแตกต่างกันไปตามอุปกรณ์เสริม การติดอุปกรณ์เสริมที่เบาที่สุดและหนักที่สุดตามข้อบังคับของ EPTA 01/2014 มีแสดงอยู่ในตาราง

สัญลักษณ์

ต่อไปนี้เป็นสัญลักษณ์ที่อาจใช้สำหรับอุปกรณ์ โปรดศึกษาความหมายของสัญลักษณ์ให้เข้าใจก่อนการใช้งาน



อ่านคู่มือการใช้งาน



สวมแว่นตานิรภัย



ฉนวนสองชั้น



สำหรับประเทศในสหภาพยุโรปเท่านั้น
เนื่องจากในอุปกรณ์มีสวิตช์ประกอบอันตราย อุปกรณ์ไฟฟ้าและอิเล็กทรอนิกส์ที่ใช้แล้วจึงอาจส่งผลกระทบต่อสิ่งแวดล้อมและสุขภาพของมนุษย์ในเชิงลบ
อย่าทิ้งเครื่องใช้ไฟฟ้าและอิเล็กทรอนิกส์พร้อมกับวัสดุเหลือทิ้งในครัวเรือน!
เพื่อให้เป็นไปตามกฎระเบียบของยุโรปว่าด้วยขยะจากอุปกรณ์ไฟฟ้าและอิเล็กทรอนิกส์ รวมถึงการบังคับใช้ตามกฎหมายภายในประเทศ ควรมีการจัดเก็บอุปกรณ์ไฟฟ้าและอิเล็กทรอนิกส์ที่ใช้แล้วแยกต่างหากและส่งไปยังจุดรับขยะต่างหากในเขตเทศบาลซึ่งมีการดำเนินการตามระเบียบว่าด้วยการดูแลสิ่งแวดล้อม โดยระบุด้วยสัญลักษณ์เส้นคาดขวางรูปถังขยะแบบมีล้อไว้บนอุปกรณ์

จุดประสงค์การใช้งาน

เครื่องมือนี้ใช้สำหรับขัด ขัดด้วยกระดาษทราย และตัดวัสดุที่เป็นเหล็กและหินโดยไม่ใช้น้ำ

แหล่งจ่ายไฟ

ควรเชื่อมต่อเครื่องมือกับแหล่งจ่ายไฟที่มีแรงดันไฟฟ้าตามที่ระบุไว้ในป้ายข้อมูลของเครื่องมือ และจะต้องใช้ไฟฟ้ากระแสสลับแบบเฟสเดียวเท่านั้น อุปกรณ์นี้ได้รับการคุ้มครองของชั้นและสามารถใช้กับปลั๊กไฟที่ไม่มีสายดินได้

คำเตือนด้านความปลอดภัย

คำเตือนด้านความปลอดภัยของเครื่องมือไฟฟ้าทั่วไป

คำเตือน: โปรดอ่านคำเตือนด้านความปลอดภัย คำแนะนำ ภาพประกอบ และข้อมูลจำเพาะต่างๆ ที่หามาพร้อมกับเครื่องมือไฟฟ้านี้อย่างละเอียด การไม่ปฏิบัติตามคำแนะนำดังต่อไปนี้ อาจส่งผลให้เกิดไฟฟ้าช็อต ไฟไหม้ และ/หรือได้รับบาดเจ็บอย่างร้ายแรงได้

เก็บรักษาคำเตือนและคำแนะนำทั้งหมดไว้

เป็นข้อมูลอ้างอิงในอนาคต

คำว่า “เครื่องมือไฟฟ้า” ในคำเตือนนี้หมายถึงเครื่องมือไฟฟ้า (มีสาย) ที่ทำงานโดยใช้กระแสไฟฟ้าหรือเครื่องมือไฟฟ้า (ไร้สาย) ที่ทำงานโดยใช้แบตเตอรี่

ความปลอดภัยของพื้นที่ทำงาน

1. ดูแลพื้นที่ทำงานให้มีความสะอาดและมีแสงไฟสว่าง พื้นที่รกกระเกะกระริดหรือมืดทึบอาจนำไปสู่การเกิดอุบัติเหตุได้
2. อย่าใช้งานเครื่องมือไฟฟ้าในสภาพที่อาจเกิดการระเบิด เช่น ในสถานที่ที่มีของเหลว ก๊าซ หรือฝุ่นผงที่มีคุณสมบัติไวไฟ เครื่องมือไฟฟ้าอาจสร้างประกายไฟและจุดชนวนฝุ่นผงหรือก๊าซดังกล่าว
3. ดูแลไม่ให้มีเด็ก หรือบุคคลอื่นอยู่ในบริเวณที่กำลังใช้เครื่องมือไฟฟ้า การมีสิ่งรบกวนสมาธิอาจทำให้คุณสูญเสียการควบคุม

ความปลอดภัยด้านไฟฟ้า

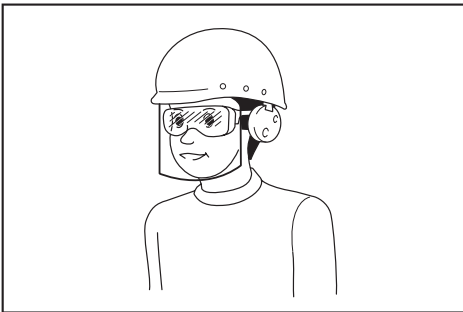
1. ปลั๊กของเครื่องมือไฟฟ้าต้องพอดีกับเต้ารับ อย่าดัดแปลงปลั๊กไม่ว่ากรณีใดๆ อย่าใช้ปลั๊กอะแดปเตอร์กับเครื่องมือไฟฟ้าที่ต่อสายดิน ปลั๊กที่ไม่ถูกดัดแปลงและเต้ารับที่เข้ากันพอดีจะช่วยลดความเสี่ยงของการเกิดไฟฟ้าช็อต
2. ระมัดระวังให้ร่างกายสัมผัสกับพื้นผิวที่ต่อสายดิน เช่น ท่อ เครื่องนำความร้อน เตาหุงต้ม และตู้เย็น มีความเสี่ยงที่จะเกิดไฟฟ้าช็อตตุงขึ้น หากร่างกายของคุณสัมผัสกับพื้น

3. อย่าให้เครื่องมือไฟฟ้าถูกน้ำหรืออยู่ในสภาพเปียกชื้น น้ำที่ไหลเข้าไปในเครื่องมือไฟฟ้าจะเพิ่มความเสี่ยงของการเกิดไฟฟ้าช็อต
4. อย่าใช้สายไฟอย่างไม่เหมาะสม อย่าใช้สายไฟเพื่อยก ดึง หรือถอดปลั๊กเครื่องมือไฟฟ้า เก็บสายไฟให้ห่างจากความร้อน น้ำมัน ของมีคม หรือชิ้นส่วนที่เคลื่อนที่ สายที่ชำรุดหรือพันกันจะเพิ่มความเสี่ยงของการเกิดไฟฟ้าช็อต
5. ขณะที่ใช้งานเครื่องมือไฟฟ้านอกอาคาร ควรใช้สายต่อพ่วงที่เหมาะสมกับงานภายนอกอาคาร การใช้สายที่เหมาะสมกับงานภายนอกอาคารจะลดความเสี่ยงของการเกิดไฟฟ้าช็อต
6. หากต้องใช้งานเครื่องมือไฟฟ้าในสถานที่เปียกชื้น ให้ใช้อุปกรณ์ป้องกันกระแสไฟรั่ว (RCD) การใช้ RCD จะลดความเสี่ยงของการเกิดไฟฟ้าช็อต
7. แนะนำให้ใช้แหล่งจ่ายไฟผ่าน RCD ที่มีกระแสไฟรั่วในอัตราไม่เกิน 30 mA เสมอ
8. เครื่องมือไฟฟ้าอาจสร้างสนามแม่เหล็ก (EMF) ที่ไม่เป็นอันตรายต่อผู้ใช้ อย่างไรก็ตาม ผู้ใช้ที่ใส่เครื่องกระตุ้นหัวใจและอุปกรณ์ทางการแพทย์ที่คล้ายกันนี้ ควรติดต่อผู้ผลิตอุปกรณ์และ/หรือแพทย์เพื่อรับคำแนะนำก่อนใช้งานเครื่องมือไฟฟ้านี้
9. อย่าจับปลั๊กไฟด้วยมือที่เปียก
10. หากสายไฟชำรุด โปรดให้ผู้ผลิตหรือตัวแทนของผู้ผลิตเปลี่ยนให้ เพื่อหลีกเลี่ยงอันตราย

ความปลอดภัยส่วนบุคคล

1. ให้ระมัดระวังและมึสติอยู่เสมอขณะใช้งานเครื่องมือไฟฟ้า อย่าใช้งานเครื่องมือไฟฟ้าในขณะที่คุณกำลังเหนื่อย หรือในสภาพที่มึนเมาจากยาเสพติด เครื่องดื่ม แอลกอฮอล์ หรือการาริชาชา ช่วงเวลาที่ขาดความระมัดระวังเมื่อกำลังใช้งานเครื่องมือไฟฟ้าอาจทำให้ได้รับบาดเจ็บร้ายแรง
2. ใช้อุปกรณ์ป้องกันส่วนบุคคล สวมแว่นตาป้องกันเสมอ อุปกรณ์ป้องกัน เช่น หน้ากากกันฝุ่น รองเท้านิรภัย กันลื่น หมวกนิรภัย หรือเครื่องป้องกันการไต่ยีนที่ใช้ในสภาพที่เหมาะสมจะช่วยลดการบาดเจ็บ
3. ป้องกันไม่ให้เกิดการเปิดใช้งานโดยไม่ตั้งใจ ตรวจสอบให้แน่ใจว่าสวิตช์ปิดอยู่ก่อนที่จะเชื่อมต่อกับแหล่งจ่ายไฟ และ/หรือชุดแบตเตอรี่ รวมทั้งตรวจสอบก่อนการยกหรือเคลื่อนย้ายเครื่องมือ การสอดนิ้วมือบริเวณสวิตช์เพื่อถือเครื่องมือไฟฟ้า หรือการชาร์จไฟเครื่องมือไฟฟ้าในขณะที่เปิดสวิตช์อยู่อาจนำไปสู่การเกิดอุบัติเหตุ

- นำกุญแจปรับตั้งหรือประแจออกก่อนที่จะเปิดเครื่องมือไฟฟ้า ประแจหรือกุญแจที่เสียบค้างอยู่ในชิ้นส่วนที่หมุนได้ของเครื่องมือไฟฟ้าอาจทำให้ได้รับบาดเจ็บ
- อย่าทำงานในระบะที่สึดเอ็ดม จัดทการยึนและการทรงตัวให้เหมาะสมตลอดเวลา เพราะจะทำให้ควบคุมเครื่องมือไฟฟ้าได้ดีขึ้นในสถานการณ์ที่ไม่คาดคิด
- แต่งกายให้เหมาะสม อย่าสวมเครื่องแต่งกายที่หลวมเกินไป หรือสวมเครื่องประดับ ดูแลไม่ให้เส้นผมและเสื้อผ้าอยู่ใกล้ชิ้นส่วนที่เคลื่อนที่ เสื้อผ้ารุ่มร่าม เครื่องประดับ หรือผมที่มีความยาวอาจเข้าไปติดในชิ้นส่วนที่เคลื่อนที่
- หากมีการจัดอุปกรณ์สำหรับดูดและจัดเก็บฝุ่นไว้ในสถานที่ ให้ตรวจสอบว่าได้เชื่อมต่อและใช้งานอุปกรณ์นั้นอย่างเหมาะสม การใช้เครื่องดูดและจัดเก็บฝุ่นจะช่วยลดอันตรายที่เกิดจากฝุ่นผงได้
- อย่าให้ความคุ้นเคยจากการใช้งานเครื่องมือเป็นประจำทำให้คุณทำตามตามสบายและละเลยหลักการเพื่อความปลอดภัยในการใช้เครื่องมือ การกระทำที่ไม่ระมัดระวังอาจทำให้เกิดการบาดเจ็บร้ายแรงภายในเสี้ยววินาที
- สวมใส่แว่นครอบตารักษาภัยเพื่อปกป้องดวงตาของคุณจากการบาดเจ็บเมื่อใช้เครื่องมือไฟฟ้า แว่นครอบตาจะต้องได้มาตรฐาน ANSI Z87.1 ในสหรัฐอเมริกา, EN 166 ในยุโรป หรือ AS/NZS 1336 ในออสเตรเลีย/นิวซีแลนด์ ในออสเตรเลีย/นิวซีแลนด์ จะต้องสวมเกราะป้องกันใบหน้าเพื่อปกป้องใบหน้าของคุณอย่างถูกต้องตามกฎหมายด้วย



ผู้ว่าจ้างมีหน้าที่รับผิดชอบในการบังคับผู้ใช้งานเครื่องมือและบุคคลอื่นๆ ที่อยู่ในบริเวณที่ปฏิบัติงานให้ใช้อุปกรณ์ป้องกันที่เหมาะสม

การใช้และดูแลเครื่องมือไฟฟ้า

- อย่าฝืนใช้เครื่องมือไฟฟ้า ใช้เครื่องมือไฟฟ้าที่เหมาะสมกับการใช้งานของคุณ เครื่องมือไฟฟ้าที่เหมาะสมจะทำให้ได้งานที่มีประสิทธิภาพและปลอดภัยกว่าตามขีดความสามารถของเครื่องที่ได้รับการออกแบบมา

- อย่าใช้เครื่องมือไฟฟ้า หากสวิตช์ไม่สามารถเปิดปิดได้ เครื่องมือไฟฟ้าที่ควบคุมด้วยสวิตช์ไม่ได้เป็นสิ่งอันตรายและต้องได้รับการซ่อมแซม
- ถอดปลั๊กจากแหล่งจ่ายไฟ และ/หรือชุดแบตเตอรี่ออกจากเครื่องมือไฟฟ้าก่อนทำการปรับตั้ง เปลี่ยนอุปกรณ์เสริม หรือจัดเก็บเครื่องมือไฟฟ้า วิธีการป้องกันด้านความปลอดภัยดังกล่าวจะช่วยลดความเสี่ยงในการเปิดใช้งานเครื่องมือไฟฟ้าโดยไม่ตั้งใจ
- จัดเก็บเครื่องมือไฟฟ้าที่ไม่ได้ใช้งานให้ห่างจากมือเด็ก และอย่าอนุญาตให้บุคคลที่ไม่คุ้นเคยกับเครื่องมือไฟฟ้าหรือคำแนะนำเหล่านี้ใช้งานเครื่องมือไฟฟ้า เครื่องมือไฟฟ้าจะเป็นอันตรายเมื่ออยู่ในมือของผู้ที่ไม่ได้รับการฝึกอบรม
- บำรุงรักษาเครื่องมือไฟฟ้าและอุปกรณ์เสริม ตรวจสอบการประกอบที่ไม่ถูกต้องหรือการเชื่อมต่อของชิ้นส่วนที่เคลื่อนที่ การแตกหักของชิ้นส่วน หรือสภาพอื่นๆ ที่อาจส่งผลกระทบต่อการทำงานของเครื่องมือไฟฟ้า หากมีความเสียหาย ให้นำเครื่องมือไฟฟ้าไปซ่อมแซมก่อนการใช้งาน อุบัติเหตุจำนวนมากเกิดจากการดูแลรักษาเครื่องมือไฟฟ้าอย่างไม่ถูกต้อง
- ทำความสะอาดเครื่องมือตัดและลับให้คงอยู่เสมอ เครื่องมือการตัดที่มีการดูแลอย่างถูกต้องและมีขอบการตัดคมมักจะมีปัญหาหัดขัดน้อยและควบคุมได้ง่ายกว่า
- ใช้เครื่องมือไฟฟ้า อุปกรณ์เสริม และวัสดุสิ้นเปลือง ฯลฯ ตามคำแนะนำดังกล่าว พิจารณาสภาพการทำงานและงานที่จะลงมือทำ การใช้เครื่องมือไฟฟ้าเพื่อทำงานอื่นนอกเหนือจากที่กำหนดไว้อาจทำให้เกิดอันตราย

- ดูแลมือจับและบริเวณมือจับให้แห้ง สะอาด และไม่มีไขมันและจาระบีเปื้อน มือจับและบริเวณมือจับที่ลื่นจะทำให้ไม่สามารถจับและควบคุมเครื่องมือได้อย่างปลอดภัยในสถานการณ์ที่ไม่คาดคิด
- ขณะใช้งานเครื่องมือ อย่าสวมใส่ถุงมือผ้าที่อาจเข้าไปติดในเครื่องมือได้ หากถุงมือผ้าเข้าไปติดในชิ้นส่วนที่กำลังเคลื่อนที่ที่อยู่อาจทำให้ได้รับบาดเจ็บ

การซ่อมบำรุง

- นำเครื่องมือไฟฟ้าเข้ารับบริการจากช่างซ่อมที่ผ่านการรับรองโดยใช้อะไหล่แบบเดียวกันเท่านั้น เพราะจะทำให้การใช้เครื่องมือไฟฟ้ามีความปลอดภัย
- ปฏิบัติตามคำแนะนำในการหล่อลื่นและการเปลี่ยนอุปกรณ์เสริม

คำเตือนด้านความปลอดภัยของเครื่องขัด

คำเตือนด้านความปลอดภัยสำหรับการทำงานขัด ขัดด้วย
กระดาษทราย การใช้แปรงลวดขัด หรือการตัดแบบขัด

1. เครื่องมือไฟฟ้าที่มีจุดประสงค์การใช้งานเพื่อใช้เป็นเครื่องขัด กระดาษทราย แปรงขัด หรือเครื่องมือตัดโปรตอานคำเตือนด้านความปลอดภัย คำแนะนำ ภาพประกอบ และข้อมูลจำเพาะต่างๆ ที่ให้มากับเครื่องมือไฟฟ้าอย่างละเอียด การไม่ปฏิบัติตามคำแนะนำดังต่อไปนี้ อาจส่งผลให้เกิดไฟฟ้าช็อต ไฟไหม้ และ/หรือได้รับบาดเจ็บอย่างร้ายแรงได้
2. **ไม่แนะนำให้ใช้เครื่องมือไฟฟ้าในการขัดเงา** การใช้งานเครื่องมือไฟฟ้าโดยผิดจุดประสงค์ใช้งานอาจเป็นสาเหตุของอันตรายและการบาดเจ็บได้
3. **อย่าใช้อุปกรณ์เสริมที่ไม่ได้ออกแบบและแนะนำโดยผู้ผลิตเครื่องมือนี้** การที่อุปกรณ์เสริมต่างๆ สามารถติดตั้งเข้ากับเครื่องมือไฟฟ้าของคุณได้นั้นไม่ได้เป็นการรับประกันว่าจะสามารถใช้งานร่วมกับอุปกรณ์ดังกล่าวได้อย่างปลอดภัย
4. **อัตราความเร็วของอุปกรณ์เสริมนั้นอย่างน้อยต้องเท่ากับความเร็วสูงสุดที่ระบุไว้ในเครื่องมือไฟฟ้านี้** อุปกรณ์เสริมที่ทำงานด้วยความเร็วกว่าอัตราความเร็วของตนอาจจะแตกหักหรือกระเด็นออกมาได้
5. **เส้นผ่านศูนย์กลางภายนอกและความหนาของอุปกรณ์เสริมของคุณจะต้องอยู่ในอัตราความสามารถของเครื่องมือไฟฟ้าของคุณ** อุปกรณ์เสริมที่มีขนาดไม่เหมาะสมจะไม่สามารถควบคุมหรือป้องกันได้อย่างมีประสิทธิภาพ
6. **รูติดตั้งของอุปกรณ์เสริมต้องมีขนาดพอดีกับแกนเสียบของเครื่องขัด** สำหรับอุปกรณ์ที่ใช้การติดตั้งแบบครีป ร่องของอุปกรณ์ต้องมีขนาดพอดีกับเส้นผ่านศูนย์กลางของครีป อุปกรณ์เสริมที่มีขนาดของส่วนติดตั้งไม่พอดีกับส่วนติดตั้งอุปกรณ์ของเครื่องมือไฟฟ้าจะทำให้ไม่สามารถทำงานได้อย่างสมดุล มีอาการสั่นมากเกินไป และอาจทำให้ไม่สามารถควบคุมได้

7. ห้ามใช้อุปกรณ์เสริมที่เสียหาย ก่อนใช้งานแต่ละครั้งให้ตรวจสอบอุปกรณ์เสริม เช่น หาคะพอนชิ้นส่วนและรอยแตกบนล้อขัด หารอยแตก การชำรุด หรือการสึกหรอที่มากเกินควรบนแผ่นหลัง และหาเส้นแวงที่หลวมหรือแตกบนแปรงขัด หากอุปกรณ์เสริมของเครื่องมือไฟฟ้าตกลงพื้น ให้ตรวจสอบความเสียหายและติดตั้งอุปกรณ์เสริมที่ไม่มี ความเสียหาย หลังจากการตรวจสอบและการติดตั้งอุปกรณ์เสริม ให้ตัวคุณเองและผู้อยู่ใกล้เคียงอยู่ห่างจากบริเวณที่อุปกรณ์หมุนและเปิดเครื่องมือไฟฟ้าที่ความเร็วหมุนเปล่าสูงสุดเป็นเวลาหนึ่งนาที โดยปกติแล้ว อุปกรณ์เสริมที่เสียหายจะแตกออกในระหว่างเวลาการทดสอบนี้
8. **สวมอุปกรณ์ป้องกันส่วนบุคคล** ขึ้นอยู่กับรูปแบบการใช้งานของคุณ ให้ใช้หน้ากาก หน้ากากนิรภัยหรือแว่นนิรภัย สวมหมวกป้องกันฝุ่น ที่ป้องกันเสียง ถุงมือและผ้ากันเปื้อนที่สามารถป้องกันการกระเด็นของชิ้นงานได้ตามความเหมาะสม อุปกรณ์ป้องกันดวงตาจะต้องสามารถป้องกันฝุ่นหรือสิ่งสกปรกที่กระเด็นจากการทำงานได้ หน้ากากป้องกันฝุ่นหรือที่ช่วยหายใจจะต้องสามารถกรองอนุภาคที่เกิดจากการทำงานของคุณได้ การฟังเสียงดังมาก เป็นเวลานาน อาจทำให้ระบบการได้ยินเสียหายได้
9. **โปรดทำให้ผู้ไม่เกี่ยวข้องอยู่ห่างจากบริเวณที่ปฏิบัติงานในระยะปลอดภัย** ผู้ที่เข้าพื้นที่ปฏิบัติงานจะต้องสวมอุปกรณ์ป้องกันส่วนบุคคล เศษชิ้นงานหรืออุปกรณ์ที่แตกหักอาจจะกระเด็นและก่อให้เกิดอาการบาดเจ็บในสถานที่รอบๆ บริเวณปฏิบัติงานได้
10. **ถือเครื่องมือบริเวณเมื่อจับที่เป็นคนวนที่นั่น** ขณะทำงานที่เครื่องมือตัดอาจสัมผัสกับสายไฟที่ซ่อนอยู่หรือสายไฟของเครื่องเอง หากอุปกรณ์ส่วนที่ใช้ตัดเกิดสัมผัสกับสายไฟที่ “มีกระแสไฟฟ้าไหลผ่าน” อาจทำให้ส่วนที่เป็นโลหะของเครื่องมือไฟฟ้าที่ไม่มีฉนวนหุ้มเกิดกระแสไฟฟ้าไหลผ่านได้ และส่งผลให้ผู้ปฏิบัติงานถูกไฟฟ้าช็อต
11. **จัดให้สายไฟอยู่ในบริเวณที่ห่างจากอุปกรณ์ที่หมุน** หากคุณสูญเสียการควบคุม สายไฟอาจจะถูกตัดหรือถูกดึงทำให้มือหรือแขนของคุณถูกดึงเข้าไปในอุปกรณ์ที่หมุนได้
12. **อย่าวางเครื่องมือไฟฟ้าลงจนกว่าจะหยุดหมุนสนิท** อุปกรณ์ที่กำลังหมุนอาจจะกระทบกับพื้นผิวและทำให้เครื่องมือไฟฟ้าหลุดมือคุณได้
13. **อย่าเปิดเครื่องมือไฟฟ้าเมื่อถือไว้ข้างตัวคุณ** เนื่องจากการสัมผัสกับอุปกรณ์ที่กำลังหมุนโดยไม่ตั้งใจนั้น อาจพันกับเสื้อผ้าของคุณและดึงอุปกรณ์เข้าสู่ร่างกายของคุณได้

14. โปรดทำความสะอาดระบายอากาศของเครื่องมือไฟฟ้าอย่างสม่ำเสมอ พัดลมของมอเตอร์จะดูดฝุ่นเข้าไปในตัวเครื่องและการมีผงโลหะในตัวเครื่องมากเกินไปอาจทำให้เกิดอันตรายจากกระแสไฟฟ้าได้
15. อย่าใช้เครื่องมือไฟฟ้าใกล้ๆ วัสดุที่ติดไฟได้ เนื่องจากประกายไฟอาจทำให้วัสดุดังกล่าวติดไฟ
16. อย่าใช้อุปกรณ์เสริมที่ต้องใช้ของเหลวเพื่อระบายความร้อน การใช้น้ำหรือของเหลวเพื่อระบายความร้อนอื่นๆ อาจทำให้เกิดไฟฟ้าดูดได้

คำเตือนเกี่ยวกับการติดกลับและสิ่งที่เกี่ยวข้อง

การติดกลับคือการตอบสนองโดยนัยพลันเมื่อเกิดการสะดุดหรือติดขัดของลูกล้อ แผ่นหลัง แปรง หรืออุปกรณ์เสริมอื่นๆ ที่กำลังหมุน การสะดุดหรือการติดขัดจะทำให้อุปกรณ์ที่กำลังหมุนบักท้วงอย่างรวดเร็วซึ่งเป็นสาเหตุให้เครื่องมือไฟฟ้าที่ไม่สามารถควบคุมได้เกิดแรงสะท้อนกลับไปยังทิศทางตรงข้ามกับการหมุน

ตัวอย่างเช่น หากลูกล้อขัดขึ้นสะดุดหรือติดขัดกับชิ้นงานของของลูกล้อที่เข้าไปยังจุดติดขัดจะเจาะเข้าไปยังพื้นผิวของวัสดุและทำให้ลูกล้อติดตัวขึ้นมา ลูกล้อดังกล่าวอาจจะกระเด็นเข้าหาหรือออกห่างตัวผู้ปฏิบัติงาน ทั้งนี้ขึ้นอยู่กับทิศทางของการหมุนของลูกล้อเมื่อเกิดการสะดุด ในกรณีดังกล่าว ลูกล้อขัดอาจจะแตกหักได้ด้วย

การติดกลับเป็นผลมาจากการใช้เครื่องมือไฟฟ้าผิดจุดประสงค์ และ/หรือ การใช้ผิดวิธี และสามารถป้องกันได้โดยใช้วิธีการป้องกันดังต่อไปนี้

1. จับต้ามจับเครื่องมือไฟฟ้าให้แน่นและจัดตำแหน่งร่างกายและแขนให้สามารถต้านทานแรงติดกลับได้ ใช้มือจับเสริมเสมอ ถ้ามี เพื่อให้สามารถควบคุมการติดกลับหรือการสะท้อนของแรงบิดในระหว่างการเริ่มทำงานได้อย่างมีประสิทธิภาพ ผู้ปฏิบัติงานจะสามารถควบคุมแรงสะท้อนของแรงบิดหรือแรงบิดกลับได้หากดำเนินการป้องกันอย่างเหมาะสม
2. อย่าเอามือไว้ใกล้อุปกรณ์หมุน อุปกรณ์ดังกล่าวอาจติดกลับใส่มือคุณได้
3. อย่าอยู่ในบริเวณที่อาจจะโดนเครื่องมือหากมีการติดกลับเกิดขึ้น การติดกลับจะทำให้เครื่องมือสะบัดไปยังทิศทางตรงกันข้ามของการเคลื่อนไหวของลูกล้อเมื่อเกิดการสะดุด
4. ใช้ความระมัดระวังเป็นพิเศษเพื่อปฏิบัติงานกับมุมขอบที่มีความแหลมคม ฯลฯ หลีกเลี่ยงการกระแทกและการติดขัดของอุปกรณ์ มุม ขอบที่มีความแหลมคม หรือการกระแทกนั้นอาจทำให้เกิดการสะดุดของอุปกรณ์หมุนและทำให้เสียการควบคุมหรือการติดกลับได้

5. อย่าติดตั้งใบมีดเลื่อนแบบไซ้หรือใบเลื่อยแบบซี่ ใบมีดแบบดังกล่าวมักจะทำให้เกิดการติดกลับและสูญเสียการควบคุม

คำเตือนด้านความปลอดภัยพิเศษสำหรับการทำงานขัดและการตัดแบบขัด

1. ใช้แต่ลูกล้อชนิดที่เครื่องมือไฟฟ้าของคุณกำหนดและอุปกรณ์นี้ถึงกันที่ออกแบบมาเพื่อลูกล้อที่ใช้เท่านั้น ลูกล้อที่ไม่ได้ออกแบบมาเพื่อใช้กับเครื่องมือไฟฟ้าจะไม่ได้รับการปกป้องอย่างมีประสิทธิภาพและเป็นอันตราย
2. พื้นผิวขัดของใบเจียศูนย์คมจะต้องติดตั้งอยู่ด้านล่างของระนาบขอบที่ป้องกัน ล้อที่ติดตั้งอย่างไม่ถูกต้องซึ่งยื่นออกมาจากแนวระนาบของขอบที่ป้องกันจะไม่ได้รับการป้องกันที่เพียงพอ
3. ที่ป้องกันจะต้องยึดไว้กับเครื่องมือไฟฟ้าอย่างแน่นหนาและวางไว้ในตำแหน่งที่มีความปลอดภัยสูงสุด เพื่อให้ส่วนล้อหันเข้าหาผู้ปฏิบัติงานน้อยที่สุด ที่ป้องกันจะช่วยในการป้องกันผู้ปฏิบัติงานจากเศษล้อยที่แตก การสัมผัสกับล้อโดยไม่ตั้งใจ และประกายไฟที่อาจทำให้เสื้อผ้าติดไฟ
4. ต้องใช้งานล้อในลักษณะการใช้งานที่แนะนำเท่านั้น ตัวอย่างเช่น อย่าขัดด้วยด้านข้างของลูกล้อตัด ลูกล้อตัดแบบขัดใช้เพื่อขัดรอบวง แรงด้านข้างที่กระทำต่อลูกล้อเหล่านี้จะทำให้ลูกล้อแตกและเยียดได้
5. ใช้แต่แกนลูกล้อที่ไม่เสียหายและมีขนาดและรูปทรงตรงกับลูกล้อที่ใช้เท่านั้น แกนล้อที่ถูกต้องจะรองรับลูกล้อได้อย่างมีประสิทธิภาพจึงสามารถลดโอกาสในการเสียหายของลูกล้อได้ แกนสำหรับล้อตัดอาจแตกต่างจากแกนล้อขัด
6. อย่าใช้ล้อที่สึกหรอจากเครื่องมือไฟฟ้าที่มีขนาดใหญ่กว่า ล้อที่ใช้สำหรับเครื่องมือไฟฟ้าที่มีขนาดใหญ่กว่าไม่เหมาะสมกับเครื่องมือขนาดเล็กที่มีความเร็วสูงกว่า และอาจจะเบิดได้

คำเตือนด้านความปลอดภัยพิเศษเพิ่มเติมสำหรับการตัดแบบขัด:

1. อย่าทำให้ลูกล้อตัด "ติด" หรือใช้แรงดันมากเกินไป อย่าพยายามทำควมลึกในการตัดมากเกินไป การกดดันลูกล้อมากเกินไปจะเป็นการเพิ่มการโหลดและความไวที่ลูกล้อจะเกิดการบิดหรือการติดขัดระหว่างการตัด และความเป็นไปได้ในการติดกลับหรือลูกล้อแตก

- อย่าให้ร่างกายของคุณอยู่ในระดับเดียวกันหรือด้านหลังลูกล้อที่กำลังหมุน เมื่อลูกล้อในตำแหน่งการใช้งานเคลื่อนออกจากร่างกายของคุณ การติดกลับอาจผลักดันให้ลูกล้อที่กำลังหมุนและเครื่องมือไฟฟ้าพุ่งตรงเข้าหาคุณ
- เมื่อลูกล้อติดขัดหรือรบกวนการตัดด้วยเหตุใดๆ ก็ตาม ให้ปิดเครื่องมือไฟฟ้าและถือเครื่องมือไฟฟ้าค้างไว้เฉยๆ จนกว่าลูกล้อจะหยุดสนิท ห้ามพยายามกอดลูกล้อตัดออกจากรอยตัดขณะที่ลูกล้อยังเคลื่อนไหว มิฉะนั้นอาจเกิดการติดกลับได้ ตรวจสอบและแก้ไขเพื่อกำจัดสาเหตุที่ทำให้ลูกล้อติดขัด
- อย่าเริ่มการตัดชิ้นใหม่โดยที่เครื่องมือคาอยู่ในชิ้นงาน ให้ลูกล้อทำความเร็วสูงสุดแล้วจึงสอดเข้าไปในรอยตัดอีกครั้งอย่างระมัดระวัง ลูกล้ออาจติดขัด ดั้งหรือติดกลับได้หากเริ่มใช้เครื่องมือไฟฟ้าระหว่างที่ยังคาอยู่ในชิ้นงาน
- รองรับแผ่นหรือชิ้นงานขนาดใหญ่ต่างๆ เพื่อลดความเสี่ยงในการที่ลูกล้อจะบีบแน่นและติดกลับ ชิ้นงานที่มีขนาดใหญ่มีแนวโน้มที่จะแอ่นลงเนื่องจากน้ำหนักของแผ่นเอง ควรวางที่รองรับไว้ใต้ชิ้นงานให้ใกล้กับขอบของชิ้นงานทั้งสองด้านของล้อ
- ใช้ความระมัดระวังเป็นพิเศษขณะทำการ “ตัดผ่าน” กำแพงที่มีอยู่แล้วหรือพื้นที่มุมอับอื่นๆ ล้อที่ยื่นออกมาอาจตัดต่อก๊าซหรือท่อน้ำ สายไฟฟ้าหรือสิ่งของอื่นๆ ที่อาจทำให้เกิดการติดกลับได้

คำเตือนด้านความปลอดภัยสำหรับการทำงานขัด:

- อย่าใช้แผ่นกระดาษทรายที่มีขนาดใหญ่เกินไป ปฏิบัติตามคำแนะนำของผู้ผลิตเมื่อเลือกกระดาษทราย กระดาษทรายที่ใหญ่เกินไปจะยื่นออกมาเกินแผ่นขัดและจะทำให้เกิดการฉีกขาด เป็นสาเหตุของการสะดุด จานขรุขระ หรือการติดกลับได้

คำเตือนด้านความปลอดภัยสำหรับการใช้แปรงลวดขัด:

- โปรดระวังเส้นลวดหลุดออกมาจากแปรงระหว่างการทำงานปกติ อย่ากดดินเส้นลวดมากเกินไปด้วยการใส่โหลดที่แรงมากเกินไปจนควร เส้นลวดสามารถทะลุเสื้อผ้าบางๆ และ/หรือผิวหนังได้อย่างง่ายดาย
- หากจำเป็นต้องใช้ที่ป้องกันสำหรับการขัดด้วยแปรงลวด อย่าให้ลวดหรือแปรงลวดแทรกเข้าไปในที่ป้องกัน ลวดลวดหรือแปรงลวดอาจมีเส้นผ่านศูนย์กลางที่ขยายใหญ่ขึ้นเนื่องจากโหลดการทำงานและแรงหนีศูนย์กลาง

คำเตือนด้านความปลอดภัยเพิ่มเติม:

- เมื่อใช้ใบเจียศูนย์คม ตรวจสอบให้แน่ใจว่าคุณใช้ล้อที่เสริมแรงด้วยใยแก้วเท่านั้น
- ห้ามใช้ล้อประเภทถ้วยหินกับเครื่องขัดชนิดนี้เด็ดขาด เครื่องขัดชนิดนี้ไม่ได้ถูกออกแบบมาสำหรับล้อประเภทเหล่านี้ และการใช้ผลิตภัณฑ์ดังกล่าวอาจทำให้เกิดการบาดเจ็บร้ายแรงได้
- ระวังอย่าให้แกน (โดยเฉพาะอย่างยิ่งการติดตั้ง) หรือ น็อตเสียหาย การที่ส่วนต่างๆ เหล่านี้เสียหายอาจเป็นสาเหตุให้ลูกล้อเสียหายได้
- ตรวจสอบให้แน่ใจว่าลูกล้อนั้นไม่ได้สัมผัสกับชิ้นงานก่อนที่จะเปิดสวิตช์
- ก่อนที่จะใช้เครื่องมือบนชิ้นงานจริง ปล่อยให้เครื่องมือทำงานเปล่าๆ สักครู่ ดูการสั่นสะเทือนหรือโยกโคลงที่อาจแสดงถึงการใส่และการให้สมดุลลูกล้อที่ไม่ดีพอ
- ใช้พื้นผิววงล้อที่ระบุในการขัด
- อย่าปล่อยให้เครื่องมือทำงานค้างไว้ ใช้งานเครื่องมือในขณะที่ถืออยู่เท่านั้น
- ห้ามสัมผัสกับชิ้นงานทันทีที่ทำงานเสร็จ เนื่องจากชิ้นงานอาจมีความร้อนสูงและลวกผิวหนังของคุณได้
- ห้ามสัมผัสกับอุปกรณ์เสริมทันทีหลังจากทำงานเสร็จ เนื่องจากอาจมีความร้อนสูงและอาจลวกผิวหนังของคุณได้
- ปฏิบัติตามคำแนะนำของผู้ผลิตในการติดตั้งและการใช้ลูกล้อ ใช้งานและจัดเก็บลูกล้อด้วยความระมัดระวัง
- อย่าใช้แปรงหรือตัวแปลงแบบแยกเพื่อแปรงรูล้อขัดขนาดใหญ่
- ใช้แต่แกนสำหรับเครื่องมือนี้เท่านั้น
- สำหรับเครื่องมือที่ใช้สำหรับติดตั้งกับล้อรูเสียบ ให้ตรวจสอบให้แน่ใจว่ารูในล้อยาวพอที่จะรับความยาวของแกนได้
- ตรวจสอบว่าชิ้นงานมีสิ่งรองรับหรือค้ำยันที่มั่นคง
- พึงระลึกไว้เสมอว่าลูกล้อจะยังคงหมุนต่อไปแม้ว่าจะปิดเครื่องมือแล้วก็ตาม
- หากสถานที่ปฏิบัติงานนั้นร้อนและชื้นมาก หรือมีฝุ่นมาก ให้ใช้เบรกเกอร์ป้องกันลัดวงจร (30 mA) เพื่อการใช้งานอย่างปลอดภัย
- อย่าใช้เครื่องมือกับวัสดุที่มีระเบิด
- เมื่อใช้ล้อตัด ให้ใช้ที่ป้องกันล้อกับฝุ่นตามที่กำหนด
- โดยข้อบังคับในประเทศ
- งานตัดต้องไม่ได้รับแรงดันใดๆ ทั้งสิ้นจากด้านข้าง

20. อย่าใช้ถุงมือทำงานแบบผ้าระหว่างการทำงาน เส้นใยจากถุงมือผ้าอาจเข้าไปในเครื่องมือ ซึ่งจะทำให้เครื่องมือเสียหายได้
21. ตรวจสอบให้แน่ใจว่าไม่มีสายไฟ ท่อส่งน้ำ ท่อส่งก๊าซ และอื่น ๆ ซึ่งอาจก่อให้เกิดอันตรายหากเสียหาย เนื่องจากการใช้งานเครื่องมือนี้

ปฏิบัติตามคำแนะนำเหล่านี้

คำเตือน: อย่าให้ความไม่ระมัดระวังหรือความคุ้นเคยกับผลิตภัณฑ์ (จากการใช้งานซ้ำหลายครั้ง) อยู่เหนือการปฏิบัติตามกฎเกณฑ์ด้านความปลอดภัยในการใช้งาน ผลิตภัณฑ์อย่างเคร่งครัด การใช้งานอย่างไม่เหมาะสมหรือการไม่ปฏิบัติตามกฎเกณฑ์ด้านความปลอดภัยในคู่มือการใช้งานนี้อาจทำให้ได้รับบาดเจ็บร้ายแรง

คำอธิบายการทำงาน

ข้อควรระวัง: ตรวจสอบให้แน่ใจว่าได้ปิดสวิตช์เครื่องมือและถอดปลั๊กออกก่อนปรับตั้งหรือตรวจสอบการทำงานของเครื่องมือ

ข้อควรระวัง: ปรับสวิตช์สั่งงานให้อยู่ที่ตำแหน่ง OFF เมื่อมีการถอดปลั๊กกะทันหัน ไฟดับ หรือไฟตัดโดยอัตโนมัติ มิฉะนั้น เครื่องมืออาจเริ่มทำงานทันทีเมื่อมีไฟฟ้าและอาจทำให้ได้รับบาดเจ็บได้

ล๊อคก้าน

กตที่ล๊อคก้านเพื่อป้องกันไม่ให้ก้านหมุนเมื่อติดตั้งหรือถอดอุปกรณ์เสริม

- **หมายเลข 1:** ล๊อคก้าน

ข้อสังเกต: ห้ามดันที่ล๊อคก้านขณะที่แกนกำลังขยับ เครื่องมืออาจเสียหายได้

ตำแหน่งยึดมือจับสวิตช์

ข้อควรระวัง: ตรวจสอบให้แน่ใจว่ามือจับสวิตช์ถูกล๊อคในตำแหน่งที่ต้องการก่อนใช้งานเสมอ

สามารถหมุนตำแหน่งมือจับสวิตช์ไปทางซ้ายหรือขวาได้ 90° เพื่อให้เหมาะต่อความต้องการในการปฏิบัติงานของคุณ ขั้นตอนแรก ให้ถอดปลั๊กเครื่องมือก่อน กดปุ่มล๊อคและหมุนมือจับสวิตช์ไปทางด้านซ้ายหรือด้านขวาจนสุด มือจับสวิตช์จะล๊อคอยู่ที่ตำแหน่งดังกล่าว

GA7070, GA9070

- **หมายเลข 2:** 1. โครมมอเตอร์ 2. ปุ่มล๊อค 3. มือจับ

GA7071, GA9071

- **หมายเลข 3:** 1. โครมมอเตอร์ 2. ปุ่มล๊อค 3. มือจับ

การทำงานของสวิตช์

ข้อควรระวัง: ก่อนเสียบปลั๊กเครื่องมือ ให้ตรวจสอบว่าสวิตช์สั่งงานสามารถทำงานได้อย่างถูกต้อง และกลับไปยังตำแหน่ง "OFF" เมื่อปล่อย

การทำงานของสวิตช์มีสามรูปแบบแตกต่างกันไปในแต่ละประเทศ

GA7070, GA9070

- **หมายเลข 4:** 1. สวิตช์สั่งงาน 2. ก้านล๊อค

GA7071, GA9071

- **หมายเลข 5:** 1. สวิตช์สั่งงาน 2. ก้านล๊อค

สำหรับเครื่องมือที่มีล๊อคสวิตช์

กำหนดเฉพาะประเทศ

ข้อควรระวัง: สวิตช์สามารถล๊อคในตำแหน่ง "ON" เพื่อช่วยให้สะดวกในการใช้งานอย่างต่อเนื่อง ใช้ความระมัดระวังเมื่อล๊อคสวิตช์เครื่องมือในตำแหน่ง "ON" และจับเครื่องมือให้แน่นตลอดเวลา

เปิดใช้เครื่องมือโดยดึงสวิตช์สั่งงาน (ในทิศทาง B) ปล่อยสวิตช์สั่งงานเพื่อหยุดทำงาน ถ้าต้องการใช้งานอย่างต่อเนื่อง ดึงสวิตช์สั่งงาน (ในทิศทาง B) และกดก้านล๊อค (ในทิศทาง A) เมื่อต้องการหยุดเครื่องมือจากตำแหน่งล๊อค ให้ดึงสวิตช์สั่งงานจนสุด (ในทิศทาง B) แล้วปล่อยสวิตช์

สำหรับเครื่องมือที่มีล๊อคการทำงานสวิตช์

กำหนดเฉพาะประเทศ

เพื่อป้องกันไม่ให้สวิตช์สั่งงานถูกดึงโดยไม่ตั้งใจจึงมีก้านล๊อคติดตั้งไว้

เพื่อเริ่มใช้งานเครื่องมือ ให้กดก้านล๊อค (ในทิศทาง A) แล้วดึงสวิตช์สั่งงาน (ในทิศทาง B) ปล่อยสวิตช์สั่งงานเพื่อหยุดทำงาน

ข้อสังเกต: อย่าดึงสวิตช์สั่งงานแรงๆ โดยไม่ได้กดก้านล๊อค การทำเช่นนั้นอาจทำให้สวิตช์เสียหายได้

สำหรับเครื่องมือที่มีลอคสวิตช์และลอคการทำงานสวิตช์

กำหนดเฉพาะประเทศ

⚠️ ข้อควรระวัง: สวิตช์สามารถลอคในตำแหน่ง “ON” เพื่อช่วยให้สะดวกในการใช้งานอย่างต่อเนื่อง ใช้ความระมัดระวังเมื่อลอคสวิตช์เครื่องมือในตำแหน่ง “ON” และจับเครื่องมือให้แน่นตลอดเวลา

เพื่อป้องกันไม่ให้สวิตช์สั่งงานถูกดึงโดยไม่ตั้งใจจึงมีก้านลอคติดตั้งไว้

เพื่อเริ่มใช้งานเครื่องมือ ให้กดก้านลอค (ในทิศทาง A) แล้วดึงสวิตช์สั่งงาน (ในทิศทาง B) ปลอยสวิตช์สั่งงานเพื่อหยุดทำงาน

ถ้าต้องการใช้งานอย่างต่อเนื่อง ให้กดก้านลอค (ในทิศทาง A) ดึงสวิตช์สั่งงาน (ในทิศทาง B) และดึงก้านลอค (ในทิศทาง C)

เมื่อต้องการหยุดเครื่องมือจากตำแหน่งลอค ให้ดึงสวิตช์สั่งงานจนสุด (ในทิศทาง B) แล้วปลอยสวิตช์

ข้อสังเกต: อย่าดึงสวิตช์สั่งงานแรงๆ โดยไม่ได้กดก้านลอค การทำเช่นนี้อาจทำให้สวิตช์เสียหายได้

ไฟแสดงสถานะ

▶ **หมายเลข 6:** 1. ไฟแสดงสถานะ

ไฟแสดงสถานะสีเขียวจะสว่างขึ้นเมื่อเสียบปลั๊กเครื่องมือ ถ้าไฟแสดงสถานะไม่สว่างขึ้น แสดงว่าสายไฟหลักหรือตัวควบคุมอาจเสีย

การที่ไฟแสดงสถานะสว่างขึ้นแต่เครื่องมือไม่เริ่มทำงานแม้จะเปิดสวิตช์ก็ตาม แสดงว่าตัวควบคุมหรือสวิตช์อาจเสียหาย หากไฟแสดงสถานะกะพริบเป็นสีแดง แปลงคาร์บอนอาจเสื่อมสภาพหรือมอเตอร์อาจเสีย

ระบบป้องกันการเริ่มทำงานใหม่โดยไม่ตั้งใจ

เครื่องมือจะไม่เริ่มทำงานหากสวิตช์อยู่ในตำแหน่งลอค แม้ว่าเครื่องมือจะเสียบปลั๊กอยู่

ในช่วงเวลาดังกล่าว ไฟแสดงสถานะจะกะพริบเป็นสีแดง เพื่อแสดงว่าระบบป้องกันการเริ่มทำงานใหม่โดยไม่ตั้งใจกำลังทำงาน

การยกเลิกระบบป้องกันการเริ่มทำงานใหม่โดยไม่ตั้งใจ ให้ดันสวิตช์กลับไปตำแหน่ง OFF

หมายเหตุ: รอสักครู่แล้วจึงเริ่มทำงานเครื่องมือใหม่เมื่อระบบป้องกันการเริ่มทำงานใหม่โดยไม่ตั้งใจทำงานแล้ว

เทคโนโลยีป้องกันการป้อนกลับอัตโนมัติ

⚠️ ข้อควรระวัง: จับเครื่องมือให้แน่นจนกว่าการหมุนจะหยุดลง

เครื่องมือนี้จะตรวจสอบสถานการณ์ที่มีความเสี่ยงที่ลื้อหรืออุปกรณ์เสริมอาจติด ในกรณีนี้ เครื่องมือจะตัดพลังงานโดยอัตโนมัติเพื่อป้องกันไม่ให้เกิดหมุนทำงานต่อไป (ไม่ได้ป้องกันการติดกลับ)

ในช่วงเวลาดังกล่าว ไฟแสดงสถานะจะกะพริบเป็นสีแดง และแสดงว่าเทคโนโลยีป้องกันการป้อนกลับอัตโนมัติกำลังทำงาน

เมื่อต้องการให้เครื่องมือเริ่มทำงานใหม่ ขึ้นแรกให้ปิดเครื่องมือก่อน กำจัดสาเหตุที่ทำให้ความเร็วในการหมุนตกลงกะทันหัน แล้วจึงเปิดเครื่องมือ

คุณสมบัติซอฟต์แวร์

คุณสมบัติซอฟต์แวร์จะช่วยลดปฏิบัติการในการสตาร์ทให้น้อยลง

การประกอบ

⚠️ ข้อควรระวัง: ตรวจสอบให้แน่ใจว่าได้ปิดสวิตช์เครื่องมือและถอดปลั๊กออกก่อนดำเนินการใดๆ กับเครื่องมือ

การติดตั้งด้ามจับด้านข้าง (มือจับ)

⚠️ ข้อควรระวัง: ตรวจสอบให้แน่ใจทุกครั้งว่าด้ามจับด้านข้างติดตั้งอยู่อย่างมั่นคงก่อนที่จะทำงาน

⚠️ ข้อควรระวัง: คุณสามารถติดตั้งด้ามจับด้านข้างเข้ากับ 3 รู ติดตั้งด้ามจับด้านข้างเข้ากับรูใดรูหนึ่งตามการใช้งาน

ขันด้ามจับด้านข้างให้แน่นในตำแหน่งของเครื่องมือตามที่แสดงในภาพ

▶ **หมายเลข 7**

การติดตั้งหรือถอดมือจับแบบห่วง

อุปกรณ์เสริม

▲ ข้อควรระวัง: ตรวจสอบให้แน่ใจว่าสลักเกลียวบนมือจับแบบห่วงถูกยึดอย่างแน่นหนาก่อนการใช้งาน

▲ ข้อควรระวัง: จับบริเวณด้ามจับของมือจับแบบห่วงตามภาพ นอกจากนี้ ให้รักษาระยะห่างของมือจากชิ้นส่วนโลหะของเครื่องขัดระหว่างการใช้งาน การสัมผัสชิ้นส่วนโลหะอาจทำให้ถูกไฟฟ้ช็อตได้ หากอุปกรณ์ต่อพ่วงการตัดตัดโดนสายไฟที่มีไฟฟ้าไหลผ่านโดยไม่ตั้งใจ

มือจับแบบห่วงอาจสะดวกกว่าด้ามจับด้านข้างสำหรับการใช้งานบางประเภท การติดตั้งมือจับแบบห่วง ให้ติดตั้งมือจับเข้ากับเครื่องมือตามภาพ แล้วขันสลักเกลียวสองตัวเพื่อยึดการถอดมือจับแบบห่วง ให้ปฏิบัติตามขั้นตอนการติดตั้งแบบย้อนกลับ

- **หมายเลข 8:** 1. มือจับแบบห่วง 2. สลักเกลียว 3. บริเวณด้ามจับ

การติดตั้งหรือถอดที่ป้องกันล้อ (สำหรับใบเจียศูนย์จรม จานทรายซ้อน ใบเจียแบบยึดหยุด แปรงลวดกลม/ล้อตัดแบบขัด ลูกล้อเพชร)

▲ คำเตือน: เมื่อใช้ใบเจียศูนย์จรม จานทรายซ้อน ใบเจียแบบยึดหยุด หรือแปรงลวดกลม ต้องติดตั้งที่ป้องกันใบบนเครื่องมือเพื่อให้ในด้านที่ปิดของที่ป้องกันซึ่งเข้าผู้ปฏิบัติงานเสมอ

▲ คำเตือน: เมื่อใช้งานล้อตัดแบบขัด/ลูกล้อเพชร ตรวจสอบให้แน่ใจว่าใช้ที่ป้องกันล้อพิเศษที่ออกแบบมาเพื่อใช้งานกับล้อตัดเท่านั้น

(ในบางประเทศในยุโรป สามารถใช้ที่ป้องกันทั่วไปได้เมื่อใช้งานลูกล้อเพชร โปรดปฏิบัติตามข้อบังคับในประเทศของคุณ)

สำหรับเครื่องมือที่มีที่ป้องกันล้อประเภทสกรูล็อค

ติดตั้งที่ป้องกันล้อโดยให้ส่วนที่ยื่นออกมาจากฝาครอบใบเจียตรงกับเครื่องหมายบนกล่องตลับลูกปืน จากนั้นให้หมุนที่ป้องกันล้อให้อยู่ในองศาที่สามารถป้องกันผู้ปฏิบัติงานในการทำงานได้ ตรวจสอบให้แน่ใจว่าได้ขันสลักเกลียวให้แน่นเมื่อต้องการถอดที่ป้องกันล้อ ให้ปฏิบัติตามขั้นตอนการติดตั้ง

- **หมายเลข 9:** 1. ที่ป้องกันล้อ 2. กล่องตลับลูกปืน 3. สกรู

สำหรับเครื่องมือที่มีที่ป้องกันล้อประเภทคานยึด

อุปกรณ์เสริม

▲ คำเตือน: ที่ป้องกันล้อจะต้องประกอบเข้ากับเครื่องมือได้พอดีโดยให้ด้านที่ปิดของที่ป้องกันหันเข้าหาผู้ใช้งาน

คลายน็อต แล้วดึงก้านในทิศทางตามลูกศร

- **หมายเลข 10:** 1. น็อต 2. ก้าน

ติดตั้งที่ป้องกันล้อโดยให้ส่วนที่ยื่นออกมาจากฝาครอบใบเจียตรงกับเครื่องหมายบนกล่องตลับลูกปืน จากนั้นให้หมุนที่ป้องกันล้อให้อยู่ในองศาที่สามารถป้องกันผู้ปฏิบัติงานในการทำงานได้

- **หมายเลข 11:** 1. ที่ป้องกันล้อ 2. กล่องตลับลูกปืน

- **หมายเลข 12:** 1. ที่ป้องกันล้อ

ขันน็อตให้แน่นโดยใช้ประแจ จากนั้นจึงดึงก้านในทิศทางลูกศรเพื่อขันที่ป้องกันล้อ หากก้านแน่นเกินไปหรือหลวมเกินไปที่จะยึดที่ป้องกันล้อ ให้เปิดก้าน จากนั้นจึงคลายหรือขันน็อตโดยใช้ประแจเพื่อปรับความแน่นของแถบของที่ป้องกันล้อ

- **หมายเลข 13:** 1. น็อต 2. ก้าน

เมื่อต้องการถอดที่ป้องกันล้อ ให้ปฏิบัติตามขั้นตอนการติดตั้งแบบย้อนกลับ

การติดตั้งหรือการถอดใบเจียศูนย์จรมหรือจานทรายซ้อน

อุปกรณ์เสริม

▲ คำเตือน: เมื่อใช้ใบเจียศูนย์จรมหรือจานทรายซ้อน ต้องติดตั้งที่ป้องกันใบบนเครื่องมือเพื่อให้ในด้านที่ปิดของที่ป้องกันซึ่งเข้าหาผู้ปฏิบัติงานเสมอ

▲ ข้อควรระวัง: ตรวจสอบว่าส่วนที่ยึดของแกนตัวในยึดเข้าไปในเส้นผ่านศูนย์กลางของใบเจียศูนย์จรม/จานทรายซ้อนพอดี การติดตั้งแกนตัวในผิดด้านอาจทำให้เกิดการลั่นสะเทือนที่เป็นอันตรายได้

ติดตั้งแกนตัวในเข้ากับแกนหมุน

ตรวจสอบว่ายึดส่วนที่เป็นรอยเว้าของแกนตัวในเข้ากับส่วนที่เป็นแท่งตรงของฐานแกนหมุน

ติดตั้งใบเจีย/จานเจียเข้ากับแกนตัวในแล้วขันน็อตล็อคโดยให้ส่วนที่ยื่นออกมาคว่ำหน้า (หันหน้าเข้าหาใบเจีย)

- **หมายเลข 14:** 1. น็อตล็อค 2. ใบเจียศูนย์จรม 3. แกนตัวใน 4. ส่วนที่ยึด

วิธีการขันแน่นน็อตลอค ให้กดที่ลอคก้านให้แน่นเพื่อให้แกน หมุนไม่หมุน แล้วใช้ประแจขันน็อตลอคขันตามเข็มนาฬิกา ให้แน่น

- **หมายเลข 15:** 1. ประแจขันน็อตลอค 2. ลอคก้าน
เมื่อต้องการถอดลอค ให้ปฏิบัติย้อนขั้นตอนการติดตั้ง

การติดตั้งหรือการถอดไปเจียแบบยึดหยุ่น

อุปกรณ์เสริม

▲ **คำเตือน:** ใช้ที่ป้องกันที่ให้มาเสมอเมื่อมีใบเจียบน เครื่องมือ ล้อสามารถแตกละเอียดได้ในระหว่างการใช้งาน และที่ป้องกันจะช่วยลดโอกาสในการเกิดการบาดเจ็บได้

- **หมายเลข 16:** 1. น็อตลอค 2. ใบเจียแบบยึดหยุ่น
3. แผ่นรอง 4. แกนตัวโน

ปฏิบัติตามคำแนะนำสำหรับใบเจียสมุญยัม แต่ให้ใช้แผ่นรอง เหนือใบเจียด้วย ดูลำดับการประกอบในหน้าอุปกรณ์เสริม ของคู่มือฉบับนี้

การติดตั้งหรือถอดอีซีน็อต

อุปกรณ์เสริม

สำหรับเครื่องมือที่มีแกนเสียบ M14 เท่านั้น

ติดตั้งแกนตัวโน วงล้อยัด และอีซีน็อตบนแกนหมุนเพื่อให้ โลโก้ Makita บนอีซีน็อตหันออกด้านนอก

- **หมายเลข 17:** 1. อีซีน็อต 2. วงล้อยัด 3. แกนตัวโน
4. แกนหมุน

กดลอคก้านให้แน่นและขันอีซีน็อตโดยการหมุนวงล้อยัด ตามเข็มนาฬิกาจนสุด

- **หมายเลข 18:** 1. ลอคก้าน

การคลายอีซีน็อต ให้หมุนวงแหวนด้านนอกของอีซีน็อต ทวนเข็มนาฬิกา

หมายเหตุ: สามารถคลายอีซีน็อตได้ด้วยมือตรบเท้า ที่ลูกศรซึ่งไปท้อยาก ไม่เช่นนั้น ก็อาจจำเป็นต้องใช้ ประแจขันน็อตลอคเพื่อช่วยคลาย สอดขาของประแจเข้า กับช่องและหมุนอีซีน็อตทวนเข็มนาฬิกา

- **หมายเลข 19:** 1. ลูกศร 2. รอยบาก

- **หมายเลข 20**

การติดตั้งหรือถอดจานขัด

อุปกรณ์เสริม

- **หมายเลข 21:** 1. น็อตลอคขัดกระดาษทราย 2. จาน
ขัด 3. แผ่นยาง

1. ติดตั้งแผ่นยางเข้ากับแกนหมุน
2. ติดตั้งจานเข้ากับแผ่นยางแล้วขันน็อตลอคขัดกระดาษ ทรายเข้ากับแกนหมุน
3. ยึดแกนหมุนด้วยที่ลอคก้านและขันน็อตลอคขัด กระดาษทรายให้แน่นตามเข็มนาฬิกาด้วยประแจขันน็อต ลอค

เมื่อต้องการถอดจาน ให้ปฏิบัติย้อนขั้นตอนการติดตั้ง

หมายเหตุ: ใช้แต่อุปกรณ์ขัดที่ระบุคู่มือการใช้งานฉบับนี้ เท่านั้น ซึ่งจะต้องซื้อแยกต่างหาก

การใช้งานกับล้อยัดแบบขัด/ลูกล้อเพชร

อุปกรณ์เสริม

▲ **คำเตือน:** เมื่อใช้งานล้อยัดแบบขัด/ลูกล้อเพชร ตรวจสอบให้แน่ใจว่าใช้ที่ป้องกันล้อพิเศษที่ออกแบบมาเพื่อใช้ งานกับล้อยัดเท่านั้น

(ในบางประเทศในยุโรป สามารถใช้ที่ป้องกันทั่วไปได้เมื่อ ใช้งานลูกล้อเพชร โปรดปฏิบัติตามข้อบังคับในประเทศ ของคุณ)

▲ **คำเตือน:** ห้ามใช้ล้อยัดแบบขัดในการขัดด้านข้าง

ติดตั้งแกนตัวโนเข้ากับแกนหมุน

ติดตั้งใบเจีย/จานเจียเข้ากับแกนตัวโนแล้วขันน็อตลอคเข้า กับแกนหมุน

- **หมายเลข 22:** 1. น็อตลอค 2. ล้อยัดแบบขัด/ลูกล้อ เพชร 3. แกนตัวโน 4. ที่ป้องกันล้อ สำหรับล้อยัดแบบขัด/ลูกล้อเพชร

สำหรับออสเตเรียและนิวซีแลนด์

- **หมายเลข 23:** 1. น็อตลอค 2. แกนตัวนอก 78 3. ล้อยัดแบบขัด/ลูกล้อเพชร 4. แกนตัวโน 78 5. ที่ป้องกันล้อสำหรับล้อยัดแบบ ขัด/ลูกล้อเพชร

การติดตั้งแปรงลวดถั่ว

อุปกรณ์เสริม

▲ **ข้อควรระวัง:** อย่าใช้แปรงที่เสียหาย หรือไม่สมดุล การใช้แปรงที่เสียหายอาจเป็นการเพิ่มความเสี่ยงที่จะได้ รับบาดเจ็บจากการสัมผัสกับลวดแปรงที่หัก

- **หมายเลข 24:** 1. แปรงลวดถั่ว

ถอดอุปกรณ์เสริมใดๆ บนแกนหมุนออก เสียบแปรงลวด ถั่วลงบนแกนหมุนและขันด้วยประแจ

การติดตั้งแผงวงจรลวดกลม

อุปกรณ์เสริม

⚠ ข้อควรระวัง: อย่าใช้แผงวงจรลวดกลมที่เสียหาย หรือไม่สมดุล การใช้แผงวงจรลวดกลมที่เสียหายอาจเป็นการเพิ่มความเสี่ยงที่จะได้รับบาดเจ็บจากการสัมผัสกับลวดที่หัก

⚠ ข้อควรระวัง: ใช้ที่ป้องกันกับแผงวงจรลวดกลมเสมอ โดยตรวจสอบให้เส้นผ่านศูนย์กลางของลวดสามารถใส่ไว้ด้านในที่ป้องกันได้พอดี ลวดสามารถแตกละเอียดได้ในระหว่างการใช้งาน และที่ป้องกันจะช่วยลดโอกาสในการเกิดการบาดเจ็บได้

▶ หมายเลข 25: 1. แผงวงจรลวดกลม

ถอดอุปกรณ์เสริมใดๆ บนแกนหมุนออก เสียบแผงวงจรลวดกลมลงบนแกนหมุนและขันด้วยประแจ

การติดตั้งที่ป้องกันล้อแบบเก็บฝุ่น

ที่ป้องกันล้อแบบเก็บฝุ่นสำหรับงานขัด

▶ หมายเลข 26: 1. น็อตล็อก 2. ลูกล้อเพชรประเภทถ้วยหิน 3. ลูกล้อเพชรประเภทถ้วยหินมีดุม 4. แกนตัวโน 5. ที่ป้องกันล้อแบบเก็บฝุ่น 6. กลองตลับลูกปืน

⚠ คำเตือน: ที่ป้องกันล้อแบบเก็บฝุ่นสำหรับงานขัดใช้สำหรับการขัดคอนกรีตเรียบด้วยลูกล้อเพชรประเภทถ้วยหินเท่านั้น อย่าใช้ร่วมกับหินขัดหรือเพื่อวัตถุประสงค์อื่นใดนอกเหนือจากที่ระบุไว้

ที่ป้องกันล้อแบบเก็บฝุ่นสำหรับงานตัด (สำหรับรุ่น GA9070 / GA9071)

▶ หมายเลข 27

หมายเหตุ: สำหรับข้อมูลวิธีติดตั้งฝาครอบเก็บฝุ่น ให้ดูคู่มือฝาครอบเก็บฝุ่น

การต่อเครื่องดูดฝุ่น

อุปกรณ์เสริม

⚠ คำเตือน: ห้ามดูดเศษผงโลหะที่เกิดจากการทำงาน เศษผงโลหะที่เกิดจากการทำงานดังกล่าวอาจมีความร้อนสูงซึ่งทำให้ฝุ่นและตัวกรองภายในที่ดูดฝุ่นติดไฟได้

เพื่อหลีกเลี่ยงสภาพแวดล้อมที่เต็มไปด้วยฝุ่นซึ่งเกิดจากการตัดอิฐ ให้ใช้ที่ป้องกันล้อเก็บฝุ่นและที่ดูดฝุ่น

โปรดดูคู่มือการใช้งานที่แนบมาเกี่ยวกับป้องกันล้อเก็บฝุ่นในการประกอบและใช้งาน

▶ หมายเลข 28: 1. ที่ป้องกันล้อแบบเก็บฝุ่นสำหรับงานตัด 2. ท่อของที่ดูดฝุ่น

การใช้งาน

⚠ คำเตือน: คุณไม่จำเป็นต้องออกแรงกดเครื่องมือ น้ำหนักของเครื่องมือจะก่อให้เกิดแรงกดที่เหมาะสม การฝืนและแรงกดที่มากเกินไปอาจทำให้บาดเจ็บและเป็นอันตรายได้

⚠ คำเตือน: เปลี่ยนใบเจียเสมอถ้าทำเครื่องมือตกระหว่างขัด

⚠ คำเตือน: ห้ามทุบหรือตีงานขัดหรือใบเจียใส่ชิ้นงาน

⚠ คำเตือน: หลีกเลี่ยงการกระดอนและการทำให้ใบเจียติดขัด โดยเฉพาะขณะทำงานที่มุม ขอบมีคม และอื่นๆ ซึ่งอาจทำให้สูญเสียการควบคุมและเกิดการติดกลับได้

⚠ คำเตือน: อย่าใช้เครื่องมือกับใบมีดตัดไม้และใบเลื่อยชนิดอื่นๆ เมื่อใช้ใบมีดชนิดดังกล่าวกับเครื่องขัดมีคมจะทำให้เกิดการติดกลับบ่อยๆ และเป็นสาเหตุให้สูญเสียการควบคุมและการบาดเจ็บของบุคคลได้

⚠ ข้อควรระวัง: อย่าเปิดเครื่องมือในขณะที่สัมผัสกับชิ้นงาน เนื่องจากอาจทำให้ผู้ปฏิบัติงานบาดเจ็บได้

⚠ ข้อควรระวัง: สวมแว่นตานิรภัยหรือหน้ากากป้องกันใบหน้าเสมอเมื่อปฏิบัติงาน

⚠ ข้อควรระวัง: หลังจากปฏิบัติงาน ให้ปิดเครื่องมือเสมอและรอนกว่าใบเจียจะหยุดสนิท แล้วจึงวางเครื่องมือลง

⚠ ข้อควรระวัง: ใช้มือข้างหนึ่งถือเครื่องมือให้แน่นที่ตัวเครื่องและมืออีกข้างจับที่ด้ามจับ (มือจับ) ด้านข้างเสมอ

การขัดและกรัดด้วยกระดาษทราย

▶ หมายเลข 29

เปิดเครื่องมือแล้วใช้ใบเจียหรืองานขัดกับชิ้นงาน โดยทั่วๆ ไป ควรให้ขอบใบเจียหรืองานขัดให้ทำมุมกับชิ้นงานประมาณ 15° ระหว่างช่วงเบรกอินกับใบเจียใหม่ ย้ายต้นเครื่องขัดไปข้างหน้า มิฉะนั้นเครื่องขัดจะตัดเข้าไปในชิ้นงาน เมื่อขอบของใบเจียมนเนื่องจากการใช้งานแล้ว ใบเจียสามารถใช้งานได้ทั้งในทิศทางเดินหน้าและถอยหลัง

การใช้งานกับล้อยึดแบบขั้ว/ลูกล้อเพชร

อุปกรณ์เสริม

คำเตือน: อย่าทำให้ลูกล้อ “ติด” หรือใช้แรงดันมากเกินไป อย่าพยายามทำความสะอาดโดยการตัดมากเกินไป การกดดันลูกล้อมากเกินไปจะเป็นการเพิ่มการโหลดและความไวที่ลูกล้อจะเกิดการบิดหรือการติดขัดระหว่างการตัด และอาจเกิดการติดกลับหรือลูกล้อแตก และมอเตอร์ร้อนเกินไป

คำเตือน: อย่าเริ่มการตัดโดยที่เครื่องมือคาวอยู่ในชิ้นงาน ปล่อยให้ใบเจียทำความเร็วสูงสุดและสอดเข้าไปในรอยตัดอย่างระมัดระวัง โดยขยับเครื่องมือไปข้างหน้าบนพื้นผิวชิ้นงาน ลูกล้ออาจติดขัด เติงหรือติดกลับได้หากเริ่มใช้เครื่องมือไฟฟ้าระหว่างที่ยังคาวอยู่ในชิ้นงาน

คำเตือน: ระหว่างการตัด ห้ามเปลี่ยนมุมของใบเจีย การใช้แรงดันด้านข้างกับล้อยึด (เช่นเดียวกับในการขัด) จะทำให้ใบเจียเกิดรอยร้าวและแตก ทำให้เกิดการบาดเจ็บร้ายแรงได้

คำเตือน: ลูกล้อเพชรจะต้องทำงานแบบตั้งฉากกับวัสดุที่จะตัด

ตัวอย่างการใช้งาน: การใช้งานกับล้อยึดแบบขั้ว

▶ หมายเลข 30

ตัวอย่างการใช้งาน: การใช้งานกับลูกล้อเพชร

▶ หมายเลข 31

การทำงานกับแปรงลวดถั่ว

อุปกรณ์เสริม

ข้อควรระวัง: ตรวจสอบการทำงานของแปรงโดยเปิดเครื่องมือให้หมุนเปล่า ตรวจสอบว่าไม่มีใครอยู่ข้างหน้าหรืออยู่ในแนวเดียวกับแปรง

ข้อสังเกต: เมื่อใช้แปรงลวดถั่ว ควรหลีกเลี่ยงการออกแรงกดมากเกินไปเนื่องจากจะทำให้ลวดงอ และอาจทำให้อุปกรณ์เสียหายก่อนเวลาอันควร

ตัวอย่างการใช้งาน: การใช้งานกับแปรงลวดถั่ว

▶ หมายเลข 32

การทำงานกับแปรงลวดกลม

อุปกรณ์เสริม

ข้อควรระวัง: ตรวจสอบการทำงานของแปรงลวดกลมโดยเปิดเครื่องมือให้หมุนเปล่า ตรวจสอบว่าไม่มีใครอยู่ข้างหน้าหรืออยู่ในแนวเดียวกับแปรงลวดกลม

ข้อสังเกต: หลีกเลี่ยงการใช้แรงดันมากเกินไปซึ่งจะทำให้ลวดงอมากเกินไปขณะใช้แปรงลวดกลม และอาจทำให้อุปกรณ์เสียหายก่อนเวลาอันควร

ตัวอย่างการใช้งาน: การใช้งานกับแปรงลวดกลม

▶ หมายเลข 33

การบำรุงรักษา

ข้อควรระวัง: ตรวจสอบให้แน่ใจว่าได้ปิดสวิตช์เครื่องมือและถอดปลั๊กออกก่อนทำการตรวจสอบหรือบำรุงรักษา

ข้อสังเกต: อย่าใช้น้ำมันเชื้อเพลิง เบนซิน ทินเนอร์ แอลกอฮอล์ หรือวัสดุประเภทเดียวกัน เนื่องจากอาจทำให้ลีสซิดาง เสียรูป หรือแตกร้าวได้

เพื่อความปลอดภัยและนำเชื้อถือของผลิตภัณฑ์ ควรให้ศูนย์บริการหรือโรงงานที่ผ่านการรับรองจาก Makita เป็นผู้ดำเนินการซ่อมแซม บำรุงรักษาและทำการปรับตั้งอื่นๆ นอกจากนี้ให้ใช้อะไหล่ของแท้จาก Makita เสมอ

หมายเหตุ: อย่าคลายสกรูบนฝาครอบ ไม่เช่นนั้น ฝาครอบอาจเปิดขึ้นโดยไม่ได้ตั้งใจ

▶ หมายเลข 34: 1. สกรู

การทำความสะอาดด้วยการระบายอากาศ

เครื่องมือและช่องระบายอากาศของเครื่องมือต้องสะอาดอยู่เสมอ ทำความสะอาดช่องระบายอากาศของเครื่องมือให้เป็นประจำหรือเมื่อใดก็ตามที่ช่องระบายอากาศเริ่มถูกปิดกั้น

▶ หมายเลข 35: 1. การระบายไอเสีย 2. การดูดลม

การบำรุงรักษาเบรก

เครื่องมือควรได้รับการซ่อมแซมโดยศูนย์บริการหรือโรงงานที่ได้รับการรับรองจาก Makita โดยทันทีเมื่อเกิดสถานการณ์ดังต่อไปนี้หรือการทำงานผิดปกติอื่นใด

- ความสามารถในการเบรกลดลงอย่างสังเกตเห็นได้
- อุปกรณ์เสริมยังคงหมุนเฉื่อยต่อมากกว่า 6 วินาทีหลังจากปล่อยสวิตช์สั่งงาน

อุปกรณ์เสริม

⚠️ ข้อควรระวัง: ขอแนะนำให้ใช้เฉพาะอุปกรณ์เสริมหรืออุปกรณ์ต่อพ่วงเหล่านี้กับเครื่องมือ Makita ที่ระบุในคู่มือ การใช้อุปกรณ์เสริมหรืออุปกรณ์ต่อพ่วงอื่นๆ อาจมีความเสี่ยงที่จะได้รับบาดเจ็บ ใช้อุปกรณ์เสริมหรืออุปกรณ์ต่อพ่วงตามวัตถุประสงค์ที่ระบุไว้เท่านั้น

หากต้องการทราบรายละเอียดเพิ่มเติมเกี่ยวกับอุปกรณ์เสริมเหล่านี้ โปรดสอบถามศูนย์บริการ Makita ใกล้บ้านคุณ

► หมายเลข 36

-	180 mm	230 mm
1	ด้ามจับด้านข้าง / มือจับแบบห่วง	
2	ที่ป้องกันล้อสำหรับใบเลื่อยศูนย์จัม/จานทรายซ้อน/แปรงลวดกลม	
3	แกนตัวใน *1	
4	ใบเลื่อยศูนย์จัม/จานทรายซ้อน	
5	น็อตล็อก / อีซีน็อต *1	
6	ที่ป้องกันล้อสำหรับวงล้อตัดแบบซัด / ลูกล้อเพชร *2	
7	แกนตัวใน 78 (ออสเตอเรียและนิวซีแลนด์เท่านั้น) *3	
8	ล้อตัดแบบซัด/ลูกล้อเพชร	
9	แกนตัวนอก 78 (ออสเตอเรียและนิวซีแลนด์เท่านั้น) *3	
10	แผ่นรอง	
11	ใบเลื่อยแบบยึดหยุน	
12	แผ่นยาง	
13	จานซัด	
14	น็อตล็อกขัดกระดาษทราย	
15	แปรงลวดกลม	
16	แปรงลวดถั่ว	
17	-	ด้ามจับด้านข้างสำหรับที่ป้องกันล้อแบบเก็บฝุ่น
18	-	ที่ป้องกันล้อแบบเก็บฝุ่นสำหรับงานตัด
19	-	แกนพิเศษ *4
20	-	ลูกล้อเพชร
21	ที่ป้องกันล้อแบบเก็บฝุ่นสำหรับลูกล้อเพชรแบบเยื้อง	
22	ลูกล้อเพชรแบบเยื้อง	
-	ประแจขันน็อตล็อก	
-	ที่ต่อฝาครอบกันฝุ่น	

หมายเหตุ: *1 สำหรับเครื่องมือที่มีแกนเสียบ M14 เท่านั้น

หมายเหตุ: *2 ในประเทศยุโรปบางประเทศสามารถใช้ที่ป้องกันทั่วไปแทนที่ป้องกันพิเศษที่ใช้ครอบล้อยทั้งสองด้านได้เมื่อใช้งานลูกล้อเพชร โปรดปฏิบัติตามข้อบังคับในประเทศของคุณ

หมายเหตุ: *3 ใช้แกนตัวใน 78 และแกนตัวนอก 78 ร่วมกัน (เฉพาะออสเตรเลียและนิวซีแลนด์)

หมายเหตุ: *4 แกนตัวในสำหรับเครื่องขัดที่มาพร้อมกับฟังก์ชันเบรก เมื่อใช้ร่วมกับที่ป้องกันล้อแบบเก็บฝุ่น

หมายเหตุ: อุปกรณ์บางรายการอาจจะรวมอยู่ในชุดเครื่องมือเป็นอุปกรณ์มาตรฐาน ซึ่งอาจแตกต่างกันไปในแต่ละประเทศ
--

Makita Corporation
3-11-8, Sumiyoshi-cho,
Anjo, Aichi 446-8502 Japan
www.makita.com

885878-377
EN, ZHCN, ID, MS,
VI, TH
20210426